



STANDARD FEATURES

- ◆ Available in 36" and 42" radiant smooth-faced models
- ◆ Battery operated electronic ignition
- ◆ Random, dancing yellow flames with realistic lava rock ember bed
- ◆ High definition ceramic fiber log set
- ◆ Refractory panels in stacked or herringbone patterns
- ◆ Heavy duty stainless steel log grate with burner and concealed gas control valve
- ◆ Stainless steel screens
- ◆ Optional bi-fold glass doors, hood and weather cover
- ◆ Stainless steel construction for long lasting outdoor use
- ◆ Limited Lifetime Warranty

LINERS (Choose One)



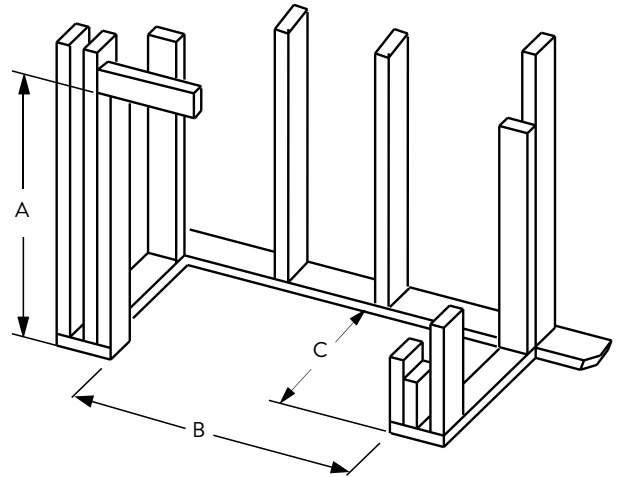
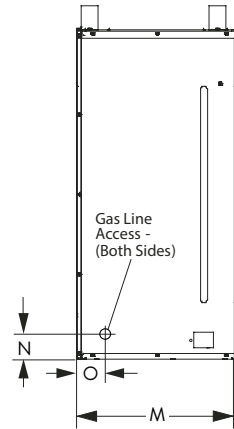
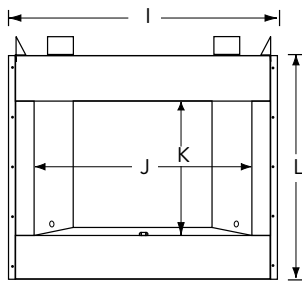
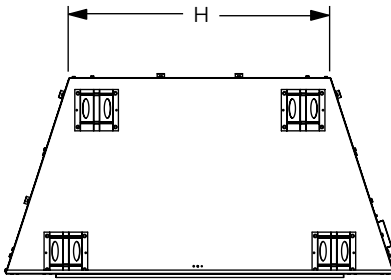
Stacked



Herringbone

APPLIANCE SPECIFICATIONS

FLAT WALL FRAMING SPECIFICATIONS



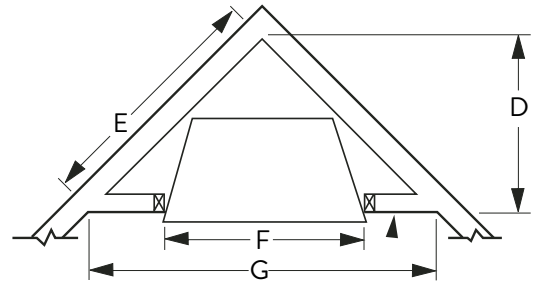
	POLARIS 36	POLARIS 42
A	46-1/2"	46-1/2"
B	42-3/4"	48-3/4"
C	20-1/2"	20-1/2"

	POLARIS 36	POLARIS 42
H	23-1/2"	29-1/2"
I	41-3/4"	47-3/4"
J	37"	43"
K	28-1/2"	28-1/2"
L	41-5/16"	41-5/16"
M	20"	20"
N	1-3/4"	1-3/4"
O	4-3/8"	4-3/8"

FIREPLACE BTU OPERATING RANGE

MODEL	FUEL	BTU/HR
POLARIS 36	NG	39,500-50,000
POLARIS 36	LP	37,000-46,000
POLARIS 42	NG	39,500-50,000
POLARIS 42	LP	37,000-46,000

CORNER FRAMING SPECIFICATIONS



	POLARIS 36	POLARIS 42
D	31-3/4"	34-3/4"
E	44-3/16"	49-1/8"
F	42-3/4"	48-3/4"
G	63-1/2"	69-1/2"

IMPORTANT NOTES:

As with any fireplace, this appliance is extremely hot during operation. Read and understand all operating instructions before using this appliance. For further information, consult your dealer.

Local conditions, such as elevation and choice of fuel will affect overall appearance of the fire and heating performance. Performance can also vary with home design and insulation, ceiling height, accessories chosen and appliance location.

Diagrams, illustrations and photographs are not to scale – consult installation instructions. Product designs, materials, dimensions, specifications, colors and prices are subject to change or discontinuance without notice.

astria
FIREPLACES®

© 2024 Innovative Hearth Products
785788M 03/24

Visit us online
Astria.us.com

