



STANDARD FEATURES

- ◆ Available in 36" and 42" radiant smooth faced models
- ◆ 28" tall and full width refractory opening on all models
- ◆ Realistic refractory liner available in stacked or herringbone pattern
- ◆ Durable 304-stainless steel on front face, and all surfaces exposed to weather
- ◆ Robust stainless steel fire screens maintain their beauty over time
- ◆ Select from a variety of compatible vent-free log sets and controls (sold separately)
- ◆ Optional brushed stainless hood available for reduced mantel clearances
- ◆ Optional drain pan and outside air kit are available
- ◆ Limited Lifetime Warranty

Compatible with any listed ANSI Z21.97 outdoor vent-free log set.
Also approved for indoor use with any listed ANSI Z21.11.2 vent-free log set.
Choose an Astria vent-free log set for best results.

LINERS (Choose one)

LINER OPTIONS



Stacked



Herringbone

COMPATIBLE VENT-FREE GAS LOG SETS



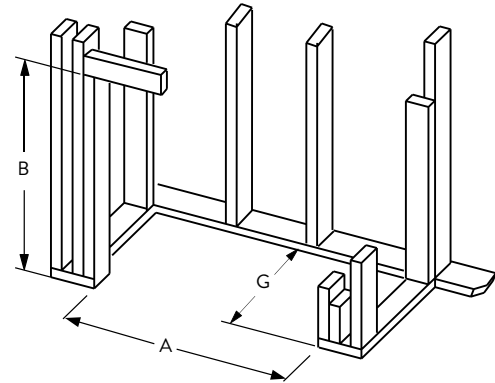
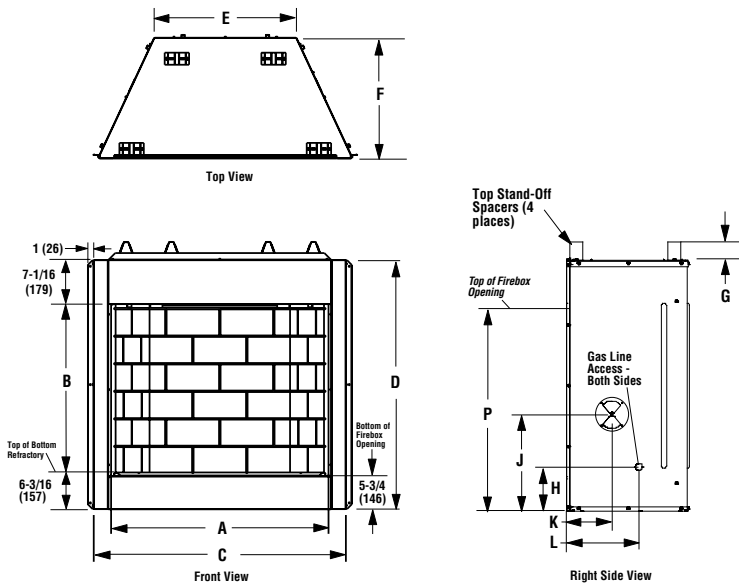
Southern Comfort OD



Shady Hollow

APPLIANCE SPECIFICATIONS

FRAMING SPECIFICATIONS



	STARLITE 36	STARLITE 42
A	42-3/4"	48-3/4"
B	46-1/2"	46-1/2"
C	20-1/2"	20-1/2"

STARLITE 36

STARLITE 42

A	36"	42"
B	28"	28"
C	41-3/4"	47-3/4"
D	41-1/4"	41-1/4"
E	23-1/2"	29-1/2"
F	20"	20"
G	3"	3"
H	8-3/8"	8-3/8"
J	15-7/8"	15-7/8"
K	7-1/2"	7-1/2"
L	12"	12"
M	1-3/8"	1-3/8"
N	5-1/2"	5-1/2"
P	34-3/8"	34-3/8"

INTERIOR FIREBOX DIMENSIONS*

	STARLITE 36	STARLITE 42
FRONT WIDTH	35"	41"
REAR WIDTH	23-1/4"	29-1/4"
DEPTH	17-3/8"	17-3/8"
HEIGHT	28"	28"

* To assist with compatible log size selection

IMPORTANT NOTES:

As with any fireplace, this appliance is extremely hot during operation. Read and understand all operating instructions before using this appliance. For further information, consult your dealer.

Local conditions, such as elevation and choice of fuel will affect overall appearance of the fire and heating performance. Performance can also vary with home design and insulation, ceiling height, accessories chosen and appliance location.

Diagrams, illustrations and photographs are not to scale — consult installation instructions. Product designs, materials, dimensions, specifications, colors and prices are subject to change or discontinuance without notice.

FRONT COVER StarLite 36 shown with Stacked Refractory Liner and optional Brushed Stainless Steel Hood

astria
FIREPLACES®

© 2023 Innovative Hearth Products
785791M 10/23

Visit us online
Astria.us.com

PFS®
C US
Report #16-120

