

STARLITE

VENT-FREE GAS FIREBOXES OUTDOOR

astria
FIREPLACES®



STANDARD FEATURES

- ◆ Available in 36" and 42" radiant smooth faced models.
- ◆ Approved for both outdoor and indoor use*.
- ◆ 36" model has a 28" tall opening and accepts most 24" vent-free gas logs*.
- ◆ 42" model has a 28" tall opening and accepts most 30" vent-free gas logs*.
- ◆ Durable 304-stainless steel on front face, and all surfaces exposed to weather.
- ◆ Robust stainless steel fire screens maintain their beauty over time.
- ◆ Realistic refractory liner available in stacked or herringbone pattern.
- ◆ Optional brushed stainless hood available for reduced mantel clearances.
- ◆ Optional drain pan and outside air kit are available.
- ◆ Limited Lifetime Warranty.

*Approved for use with Astria MagniFlameOD series gas logs for outdoor applications. Compatible with any ANSI Z21.11.2 listed vent-free log set for indoor applications. Choose an Astria vent-free log set for best results.

LINERS (Choose one)



White Stacked



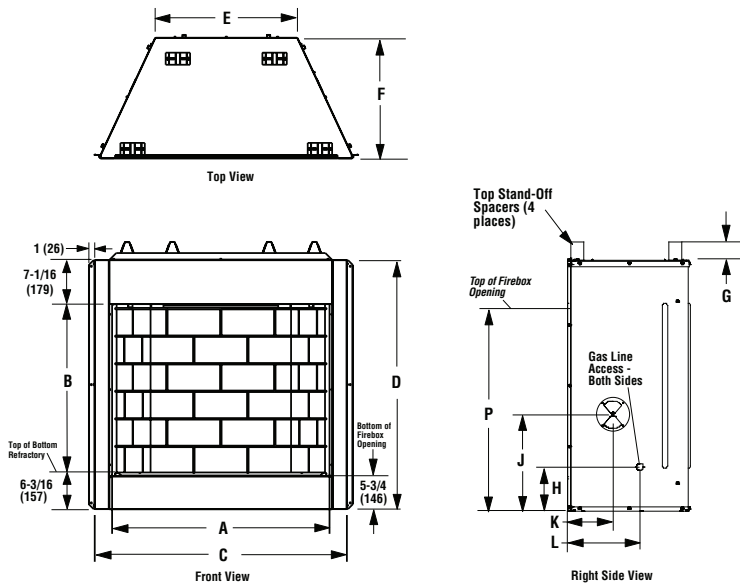
White Herringbone

VENT-FREE GAS LOGS



Visit Astria.us.com to see the complete selection of vent-free gas logs that are available to complement this firebox.

APPLIANCE SPECIFICATIONS



STARLITE 36

STARLITE 42

	STARLITE 36	STARLITE 42
A	36"	42"
B	28"	28"
C	41-3/4"	47-3/4"
D	41-1/4"	41-1/4"
E	23-1/2"	29-1/2"
F	20"	20"
G	3"	3"
H	8-3/8"	8-3/8"
J	15-7/8"	15-7/8"
K	7-1/2"	7-1/2"
L	12"	12"
M	1-3/8"	1-3/8"
N	5-1/2"	5-1/2"
P	34-3/8"	34-3/8"

IMPORTANT NOTES:

As with any fireplace, this appliance is extremely hot during operation. Read and understand all operating instructions before using this appliance. For further information, consult your dealer.

Local conditions, such as elevation and choice of fuel will affect overall appearance of the fire and heating performance. Performance can also vary with home design and insulation, ceiling height, accessories chosen and appliance location.

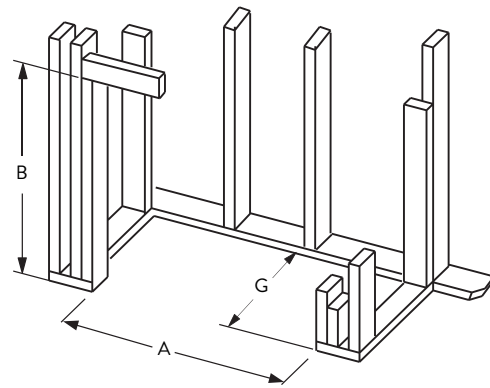
Diagrams, illustrations and photographs are not to scale — consult installation instructions. Product designs, materials, dimensions, specifications, colors and prices are subject to change or discontinuance without notice.

astria
FIREPLACES®

© 2019 Innovative Hearth Products

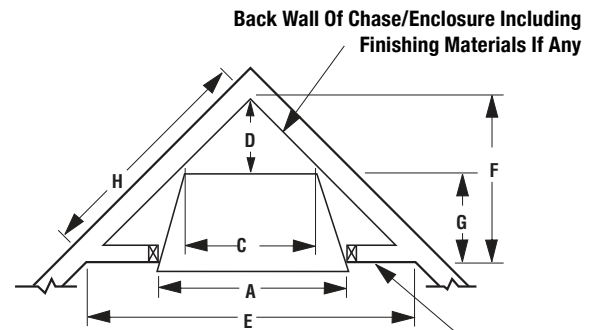
Visit us online
Astria.us.com

FRAMING SPECIFICATIONS



PARALLEL INSTALLATION

	STARLITE 36	STARLITE 42
A	42-3/4"	48-3/4"
B	46-1/2"	46-1/2"
C	23-5/8"	29-5/8"
D	11-1/4"	14-1/4"
E	63-1/2"	69-1/2"
F	31-3/4"	34-3/4"
G	20-1/2"	20-1/2"
H	44-1/4"	49-1/8"



CORNER INSTALLATION

FRONT COVER StarLite 36 shown with White Stacked Refractory Liner and optional Brushed Stainless Steel Hood

astria
FIREPLACES®

© 2019 Innovative Hearth Products

Visit us online
Astria.us.com

PFS
C US
Report #16-120

