



## STANDARD FEATURES

- ◆ Available in 36", 42" and 50" models

---

- ◆ 30" tall and full width opening on all models

---

- ◆ Fully insulated firebox for increased performance in colder climates

---

- ◆ Mosaic Masonry Firebrick or Estate Refractory Panels available in a variety of patterns and colors with integrated ash lip (one required)

---

- ◆ Durable 304-stainless steel on front face, and all surfaces exposed to weather

---

- ◆ Includes stainless steel mesh fire screens

---

- ◆ Select from a variety of compatible vent-free log sets and controls (sold separately)

---

- ◆ Easy-access gas line knockouts on both sides for quick and simple installation

---

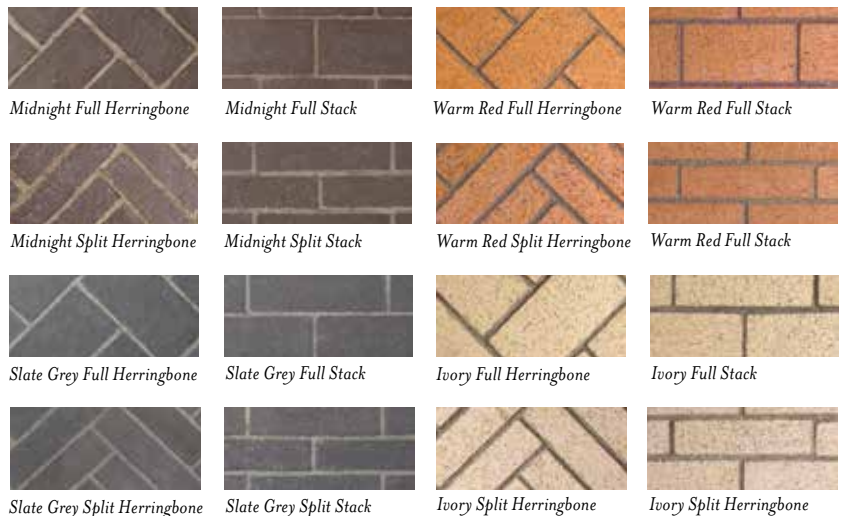
- ◆ Dual (left hand/right hand) outside air kits available for maximum performance

---

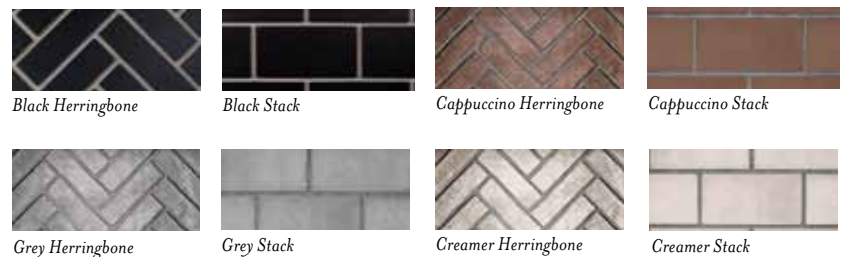
- ◆ Lifetime Limited Warranty

*Compatible with any listed ANSI Z21.97 outdoor vent-free gas log set. Choose an Astria vent-free gas log set for best results.*

## MOSAIC MASONRY FIREBRICK LINERS



## ESTATE PANEL REFRACTORY LINERS



## COMPATIBLE VENT-FREE GAS LOG SETS

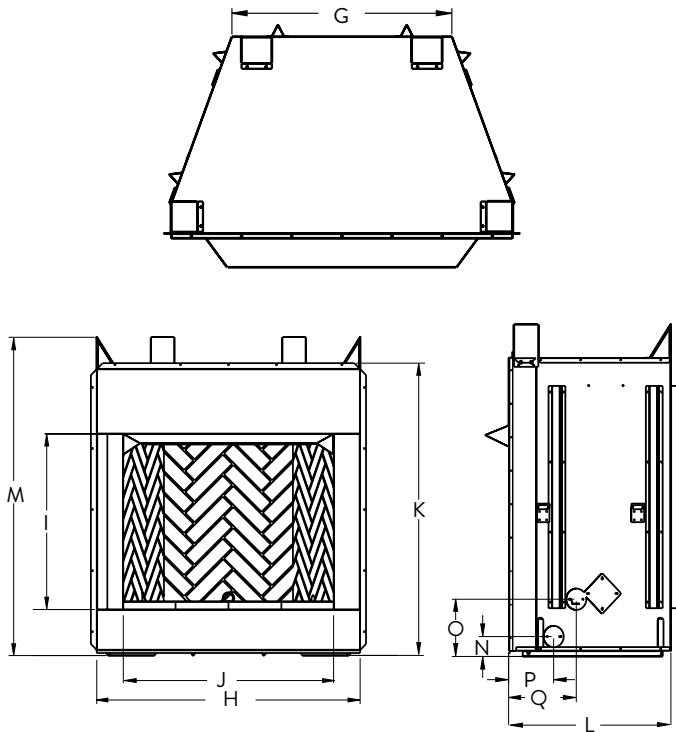


*Southern Comfort OD*



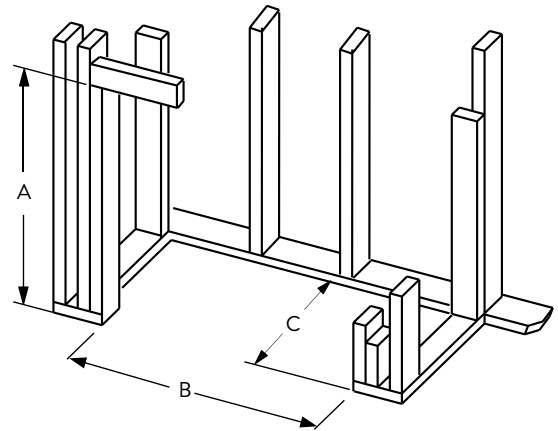
*Shady Hollow OD*

## APPLIANCE SPECIFICATIONS



	VENETIAN 36	VENETIAN 42	VENETIAN 50
G	29"	30-5/16"	38-5/16"
H	45-1/8"	51-1/8"	59-1/8"
I	30"	30"	30"
J	36"	42"	50"
K	49"	49"	49"
L	28"	30"	30"
M	54-1/2"	54-1/2"	54-1/2"
N	3-5/16"	3-5/16"	3-5/16"
O	9-7/16"	9-7/16"	9-7/16"
P	7-3/8"	8-3/4"	8-3/4"
Q	11-1/8"	13"	13"

## FLAT WALL FRAMING SPECIFICATIONS



	VENETIAN 36	VENETIAN 42	VENETIAN 50
A	54-5/8"	54-5/8"	54-5/8"
B	45-3/8"	51-3/8"	59-3/8"
C	28-1/4"	30-1/8"	30-1/8"

### INTERIOR FIREBOX DIMENSIONS\*

	VENETIAN 36	VENETIAN 42	VENETIAN 50
FRONT WIDTH	35-1/4"	41-3/8"	49-3/8"
REAR WIDTH	22-1/2"	26-3/8"	34-3/8"
DEPTH	19"	21-3/4"	21-3/4"
HEIGHT	30"	30"	30"

\* To assist with compatible log size selection

#### IMPORTANT NOTES:

As with any fireplace, this appliance is extremely hot during operation. Read and understand all operating instructions before using this appliance. For further information, consult your dealer.

Local conditions, such as elevation and choice of fuel will affect overall appearance of the fire and heating performance. Performance can also vary with home design and insulation, ceiling height, accessories chosen and appliance location.

Diagrams, illustrations and photographs are not to scale — consult installation instructions. Product designs, materials, dimensions, specifications, colors and prices are subject to change or discontinuance without notice.