



Value and quality construction come together to provide long-lasting warmth in a traditional hearth setting.

FEATURES

- 🔥 Available in 36" and 42" models
- 🔥 Radiant smooth-faced or circulating rolled louver models
- 🔥 Fully insulated firebox for increased performance in colder climates
- 🔥 Stacked refractory panels
- 🔥 Log grate
- 🔥 Includes mesh fire screens
- 🔥 Optional glass doors available in black trim for improved safety
- 🔥 Optional gas log sets deliver the charm of a wood fire with the convenience of gas
- 🔥 Includes adjustable outside air damper
- 🔥 Fan kit available (for circulating models only)
- 🔥 Durable textured powder coat finish
- 🔥 Uses IHP 8DM or 8HT (required for Canada) chimney system
- 🔥 20 year limited warranty

INTERIOR PANEL



Stacked
Refractory Liners

OPTIONAL GAS LOG SETS



Crescent Hill



Crescent Hill HD



Golden Oak



Boulder Mountain

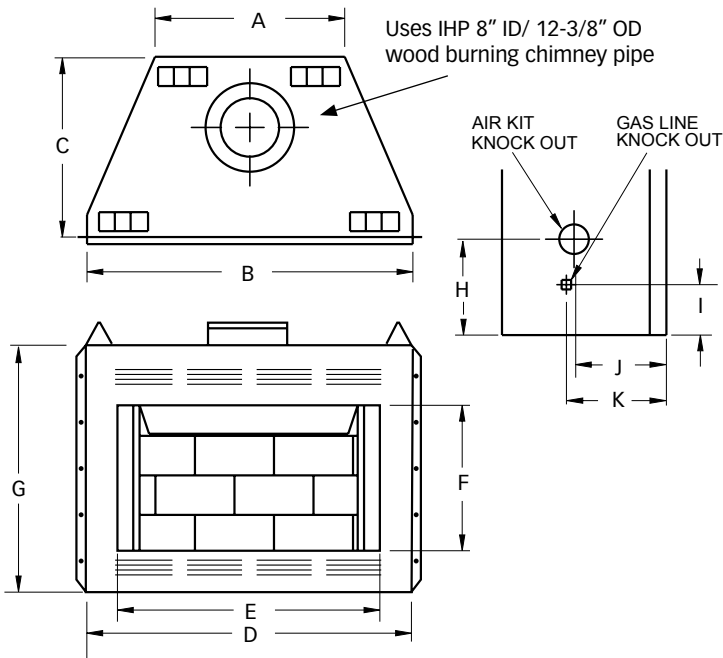


Rugged Stack



Wild Timber

APPLIANCE SPECIFICATIONS

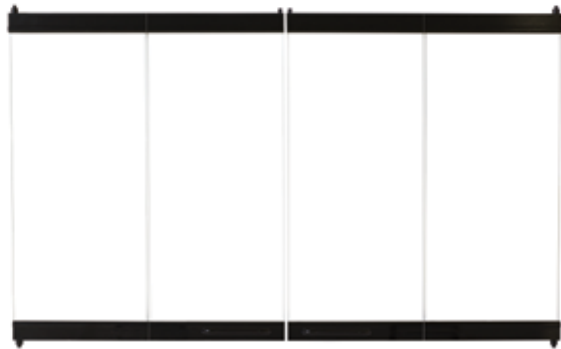


FRAMING SPECIFICATIONS

	WRT/WCT2036	WRT/WCT2042
WIDTH	38-1/4"	44-1/4"
HEIGHT	38-5/8"	37-5/8"
DEPTH	22"	22"

OPTIONAL ACCESSORIES

- Bi-fold glass doors
- Outside air kits
- Gas logs
- Fan kit (WCT model only)



Bi-fold tempered glass doors are expertly crafted.

	WRT/WCT2036	WRT/WCT2042
A	22-1/2"	28-1/2"
B	36"	42"
C	21-1/8"	21-1/8"
D	38"	44"
E	36"	42"
F	21-1/2"	21-1/2"
G	34"	33"
H	13-7/8"	13-7/8"
I	9-1/8"	8-1/4"
J	9-5/8"	9-5/8"
K	10-3/16"	10-3/16"

INTERIOR FIREBOX DIMENSIONS*

	WRT/WCT2036	WRT/WCT2042
FRONT WIDTH	34-3/4"	38-7/8"
REAR WIDTH	19-3/8"	25-3/8"
DEPTH	14-1/2"	14-1/2"
HEIGHT	21-1/2"	21-1/2"

* To assist with compatible log size selection

ON THE COVER: WCT2036 with stacked refractory panels

IMPORTANT NOTES:

As with any fireplace, this appliance is extremely hot during operation. Read and understand all operating instructions before using this appliance. For further information, consult your dealer.

Local conditions, such as elevation, wind, vent configuration and choice of fuel will affect overall appearance of the fire and heating performance. Performance can also vary with home design and insulation, climate, condition and type of fuel used, appliance location, burn rate, accessories chosen, chimney installation and how the appliance is operated.

Diagrams, illustrations and photographs are not to scale—consult installation instructions. Product designs, materials, dimensions, specifications, colors and prices are subject to change or discontinuance without notice.



© 2023 Innovative Hearth Products
785356M 09/23

Visit us online
SuperiorFireplaces.us.com

