



## STANDARD FEATURES

- ◆ Available in a 48" wide and 42" tall opening to provide an exceptional view of the fire

---

- ◆ Flush hearth floor design (hearth spacer required for combustible floor installations)

---

- ◆ Massive smoke dome with no visible smoke shelf for reliable operation

---

- ◆ Fully insulated firebox for increased performance in colder climates

---

- ◆ Mosaic Masonry Firebrick available in a split herringbone pattern and variety of colors (one required)

---

- ◆ Heavy duty steel grate with rugged forged andirons

---

- ◆ Easy access damper control

---

- ◆ Includes mesh fire screens

---

- ◆ Optional glass door available in black trim finish for improved safety

---

- ◆ Optional gas log sets deliver the charm of a wood fire with the convenience of gas

---

- ◆ Uses IHP 12DM or 12HT (required for Canada) chimney system

---

- ◆ Dual (left hand/right hand) outside air kits available for maximum performance

---

- ◆ Durable textured powder coat finish

---

- ◆ 20 Year Limited Warranty

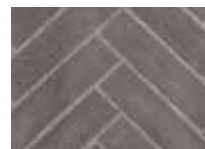
### BRICK (Choose One)



Midnight



Warm Red



Slate Grey



Ivory

*Fireplace interior liner samples, images, descriptions, and specifications are for reference only. Actual color and finish may vary due to natural materials, manufacturing processes, and digital display differences.*

### GAS LOG SETS



Southern Comfort



Shady Hollow

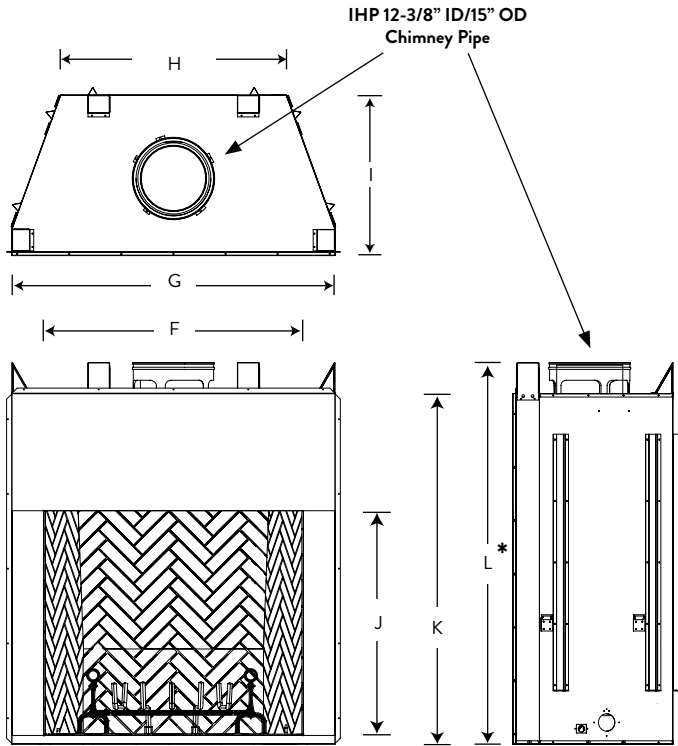


Peakside Timber



Ironwood Ridge

## APPLIANCE SPECIFICATIONS



**PLANTATION 48**

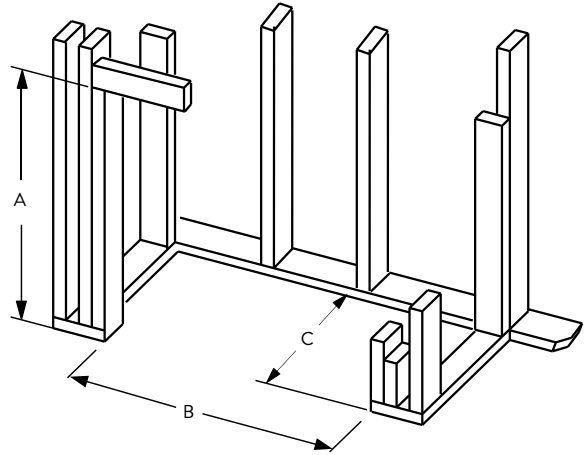
F	48"
G	60-5/8"
H	42-3/8"
I	30"
J	42"
K	65-3/4"
L	71-1/2" * Add 4-3/4" for hearth spacer on combustible floors

**IMPORTANT NOTES:**

As with any heating appliance, fireplace or stove, this appliance is extremely hot during operation. Read and understand all operating instructions before using this appliance. For further information, consult your dealer. Local conditions, such as elevation, wind, vent configuration and choice of fuel will affect overall appearance of the fire and heating performance. Performance can also vary with home design and insulation, climate, condition and type of fuel used, appliance location, burn rate, accessories chosen, chimney installation and how the appliance is operated.

DIAGRAMS, ILLUSTRATIONS AND PHOTOGRAPHS ARE NOT TO SCALE—CONSULT INSTALLATION INSTRUCTIONS. PRODUCT DESIGNS, MATERIALS, DIMENSIONS, SPECIFICATIONS, COLORS AND PRICES ARE SUBJECT TO CHANGE OR DISCONTINUANCE WITHOUT NOTICE.

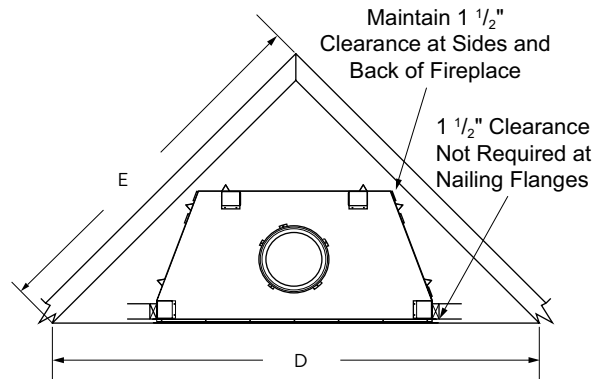
## FLAT WALL FRAMING SPECIFICATIONS



**PLANTATION 48**

A	76-3/8" with hearth spacers	71-1/2" with no spacers
B	60-7/8"	
C	31-5/8"	

## CORNER FRAMING SPECIFICATIONS



**PLANTATION 48**

D	107-5/16"
E	78-7/8"



© 2026 Innovative Hearth Products  
785764M 03/26

Visit us online  
Astria.us.com

