



STANDARD FEATURES

- ◆ Available in a 48" wide and 42" tall opening to provide an exceptional view of the fire

- ◆ Flush hearth floor design (hearth spacer required for combustibile floor installations)

- ◆ Massive smoke dome with no visible smoke shelf for reliable operation

- ◆ Fully insulated firebox for increased performance in colder climates

- ◆ Mosaic Masonry Firebrick available in a split herringbone pattern and variety of colors (one required)

- ◆ Heavy duty steel grate with rugged forged andirons

- ◆ Easy access damper control

- ◆ Includes mesh fire screens

- ◆ Optional glass door available in black trim finish for improved safety

- ◆ Dual (left hand/right hand) outside air kits available for maximum performance

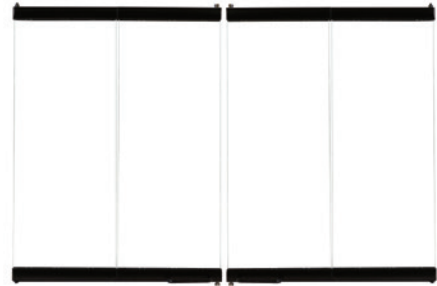
- ◆ Durable textured powder coat finish

- ◆ Uses IHP 12 DM (1700°) double wall air cooled wood burning chimney

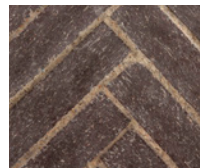
- ◆ Uses IHP 12 HT (2100°) heavy gauge double wall air cooled wood burning chimney, recommended for cold climates (required for Canada)

- ◆ 20 Year Limited Warranty

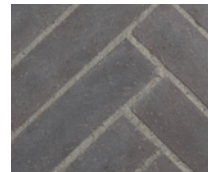
DOORS



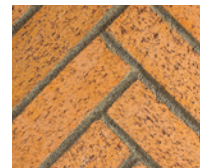
BRICK
(Choose One)



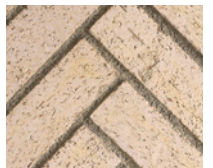
Midnight



Slate Grey

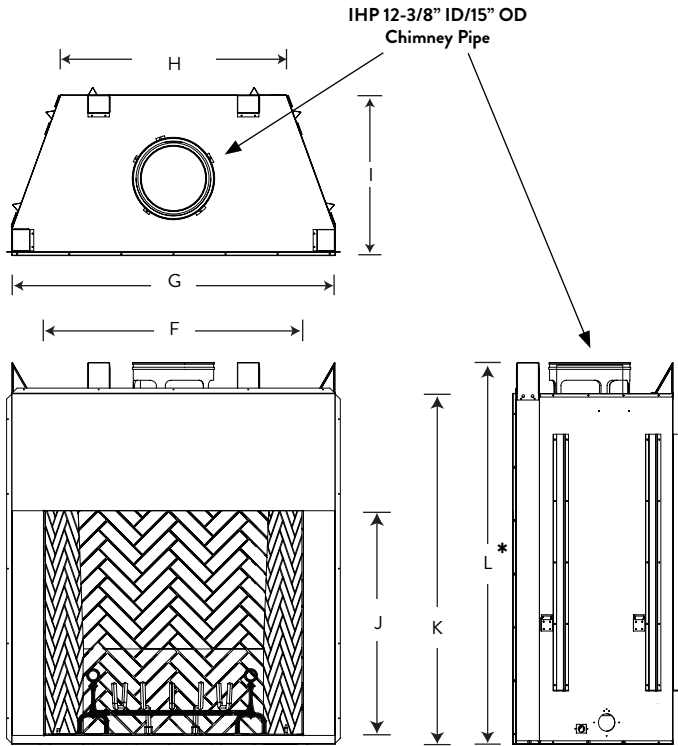


Warm Red



Ivory

APPLIANCE SPECIFICATIONS



PLANTATION 48

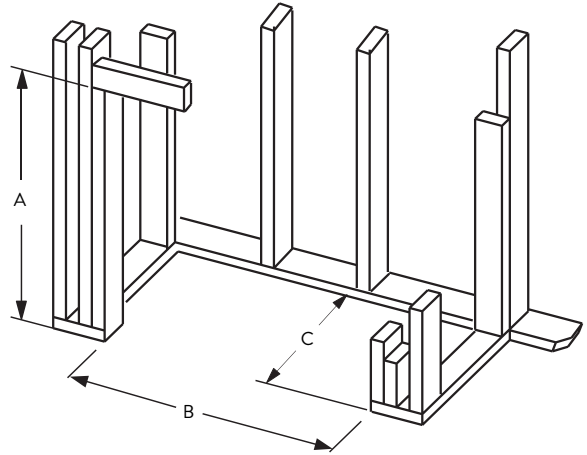
F	48"
G	60-5/8"
H	42-3/8"
I	30"
J	42"
K	65-3/4"
L	71-1/2" * Add 4-3/4" for hearth spacer on combustible floors

IMPORTANT NOTES:

As with any heating appliance, fireplace or stove, this appliance is extremely hot during operation. Read and understand all operating instructions before using this appliance. For further information, consult your dealer. Local conditions, such as elevation, wind, vent configuration and choice of fuel will affect overall appearance of the fire and heating performance. Performance can also vary with home design and insulation, climate, condition and type of fuel used, appliance location, burn rate, accessories chosen, chimney installation and how the appliance is operated.

DIAGRAMS, ILLUSTRATIONS AND PHOTOGRAPHS ARE NOT TO SCALE—CONSULT INSTALLATION INSTRUCTIONS. PRODUCT DESIGNS, MATERIALS, DIMENSIONS, SPECIFICATIONS, COLORS AND PRICES ARE SUBJECT TO CHANGE OR DISCONTINUANCE WITHOUT NOTICE.

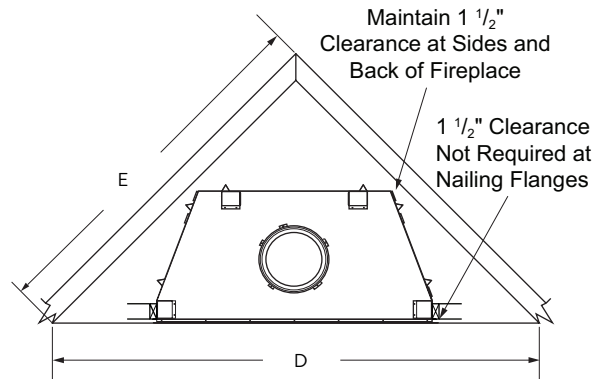
FLAT WALL FRAMING SPECIFICATIONS



PLANTATION 48

A	76-3/8" with hearth spacers	71-1/2" with no spacers
B	60-7/8"	
C	31-5/8"	

CORNER FRAMING SPECIFICATIONS



PLANTATION 48

D	107-5/16"
E	78-7/8"



© 2021 Innovative Hearth Products
785764M 11/21

Visit us online
Astria.us.com

