



Epsilon LX 45 with Platinum Crushed Glass and Optional Black Porcelain Liner

STANDARD FEATURES

- ◆ Available in a 45" and 55" linear configured models
- ◆ HeatFlo™ kit or variable speed blower options available to fine tune your heating needs*
- ◆ Electronic ignition with battery backup provides continued operation in the event of a power outage
- ◆ 99.9% efficient for exceptional heating and lower operating costs
- ◆ Decorative surrounds available to complement drywall finished applications
- ◆ Standard black bezel and barrier screen
- ◆ Black painted interior standard (optional porcelain liner available)
- ◆ Platinum crushed glass media included with several optional colors available to customize the look
- ◆ Optional driftwood logs and river rocks are a perfect addition for a transitional design
- ◆ Mood enhancing floor lighting with six distinctive settings
- ◆ Multi-function remote included (IPI/CPI, thermostat, flame height, blower, lighting)
- ◆ Limited Lifetime Warranty

* HeatFlo Kit and Blower Kit options may not be installed in the same appliance

LINERS



Black Painted (Standard)



Black Porcelain

MEDIA



Platinum Crushed Glass (Standard)



Reflective Black Crushed Glass



Reflective Blue Crushed Glass

ACCESSORIES



High-Definition Driftwood Log Set for 55" Models



High-Definition Driftwood Log 45" Set

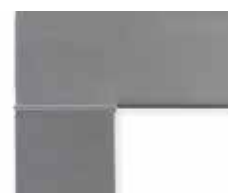


River Rock Assorted Set

DECORATIVE SURROUNDS



Black Surround

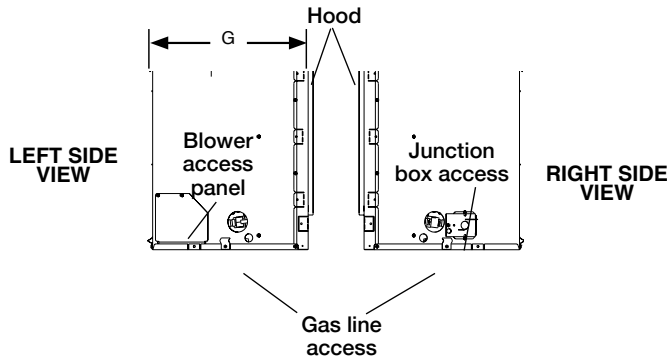
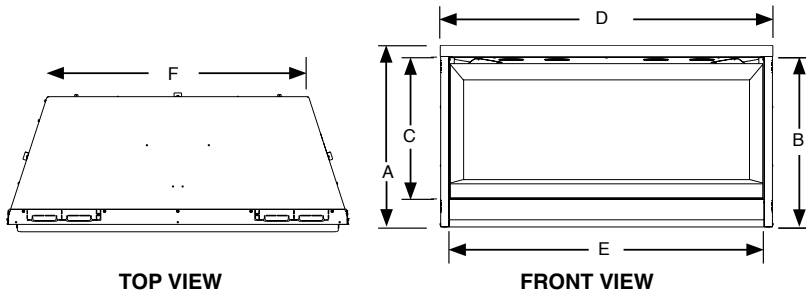


Stainless Surround

MULTI-FUNCTION TOUCH REMOTE (Included)



APPLIANCE SPECIFICATIONS



EPSILON LX

MODEL	A	B	C	D	E	F	G
45" MODELS	24-3/4"	23-1/4"	19-3/8"	45-1/2"	42-7/8"	34-3/4"	17"
55" MODELS	24-3/4"	23-1/4"	19-3/8"	55-1/2"	52-7/8"	44-3/4"	17"

FIREPLACE BTU OPERATING RANGE

MODEL	FUEL	BTU/HR	AFUE
EPSILON LX 45	NG	23,000-17,000	99.9%
EPSILON LX 45	LP	21,000-17,000	99.9%
EPSILON LX 55	NG	28,000-21,000	99.9%
EPSILON LX 55	LP	27,000-23,000	99.9%

IMPORTANT NOTES:

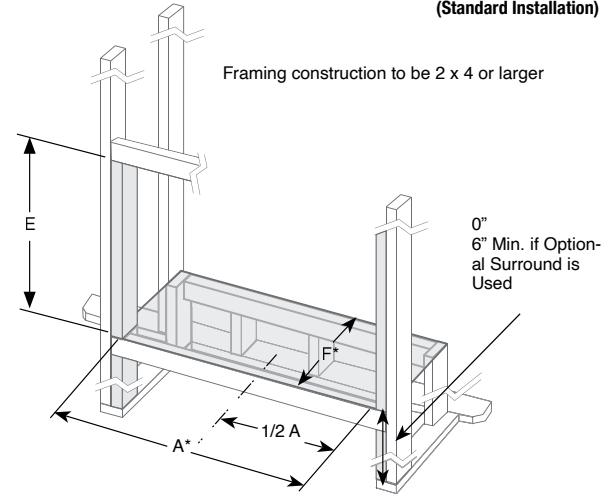
As with any fireplace, this appliance is extremely hot during operation. Read and understand all operating instructions before using this appliance. For further information, consult your dealer.
Local conditions, such as elevation and choice of fuel will affect overall appearance of the fire and heating performance. Performance can also vary with home design and insulation, ceiling height, accessories chosen and appliance location.
Diagrams, illustrations and photographs are not to scale — consult installation instructions. Product designs, materials, dimensions, specifications, colors and prices are subject to change or discontinuance without notice.

astria
FIREPLACES®

© 2024 Innovative Hearth Products
785768M 04/24

FLAT WALL FRAMING SPECIFICATIONS

(Standard Installation)



EPSILON LX

MODEL	A*	B	C	D	E	F*
45" MODELS	45-7/8"	70-3/8"	49-3/4"	35-1/4"	29"	18"
55" MODELS	55-7/8"	82-3/4"	58-1/2"	41-3/8"	29"	18"

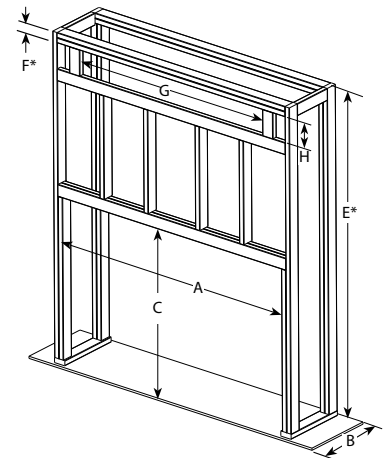
A* Minimum opening size: addition 1/8" per side is recommended
F* For flush framing installations.

NOTE: If flush framing unit, field supplied non-combustible board will need to be used.

EPSILON LX

	45" One Sided Framing HeatFlo Kit	55" One Sided Framing HeatFlo Kit
A	45-7/8"	55-7/8"
B	18"	18"
C	29"	29"
E*	81-1/2"	81-1/2"
F*	3-1/2"	3-1/2"
G	43-1/2"	53-1/2"
H	5-1/8"	5-1/8"

Flush Wall Framing With HeatFlo™ Kit



E* = Minimum height from appliance base to ceiling
F* = Minimum distance from framed opening to ceiling

Refer to Spec Sheet for complete recessed wall pocket applications and instructions.

Visit us online
Astria.us.com

PFS US
Report No. F21-664

