



WINSLOW PI40GL

OVERVIEW

- ◆ Large, heavy-duty welded steel heat exchanger provides efficient heat transfer and maximum durability.
- ◆ Smart Heat™ technology delivers the ultimate in precision heating and comfort control.
- ◆ Large and easy-to-load hopper holds up to 55 lbs., requiring less loading and ensuring longer burn times.
- ◆ Innovative self-ignition system delivers hassle-free automatic starts and works with a thermostat for easy operation.
- ◆ Durable, cast-iron burn pot, with airburst feature, self-cleans for less maintenance and trouble-free starts.
- ◆ Sealed blower and auger assembly ensures quiet operation and never need to be greased.
- ◆ Unique air wash creates less maintenance and a clear view of the fire.
- ◆ Choose from several sizes of surround panel kits to match your opening size (1-required).
- ◆ Multiple door trims and grill finishes add to the attractive finished look. (1ea-required).
- ◆ Painted black interior with optional brick liner kit available.
- ◆ Several optional thermostat and on-off remote control kits are available.
- ◆ Limited lifetime warranty.

OPTIONS

STOVE SURROUND TRIMS



Trim Finish



Choose a Surround size based on your existing fireplace then a Trim finish.

41" W X 29"H

48" W X 29"H

41" W X 33"H

48" W X 33"H

GRILLS



Black



Brushed Nickel



Nickel



Black Nickel

DOORS



Black



Nickel



Brushed Nickel



Black Nickel

LINER

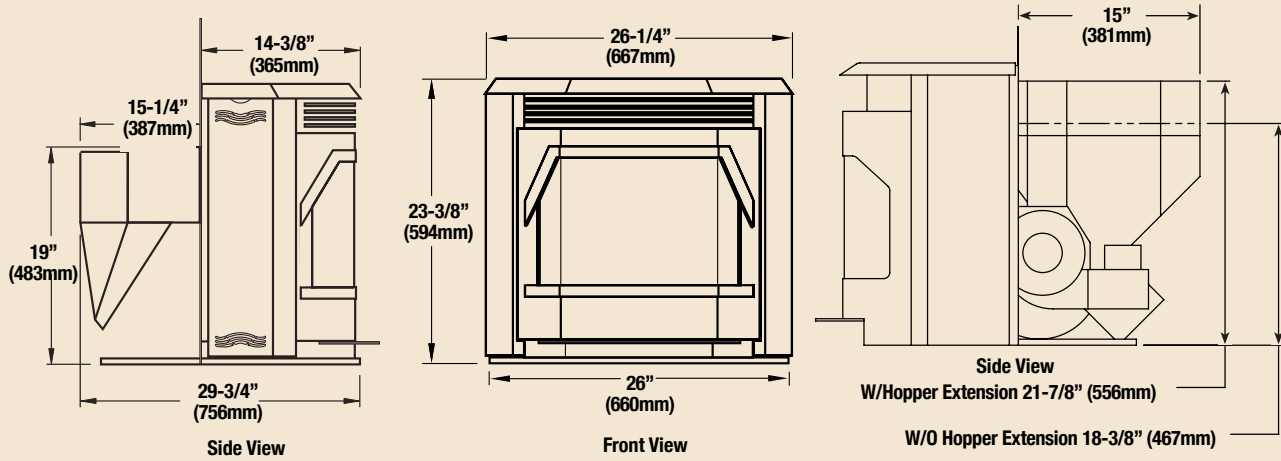


Brick Liner

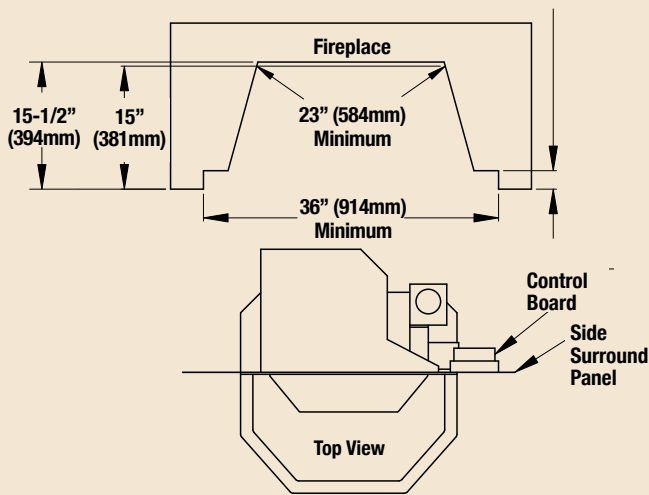
SPECIFICATIONS

WINSLOW PI40GL

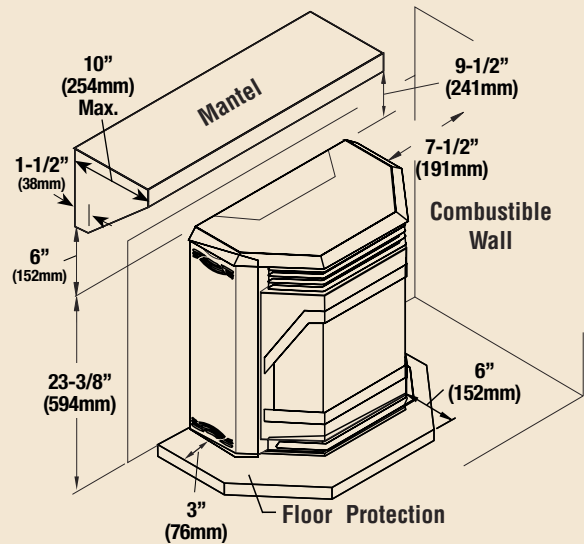
INSERT DIMENSIONS



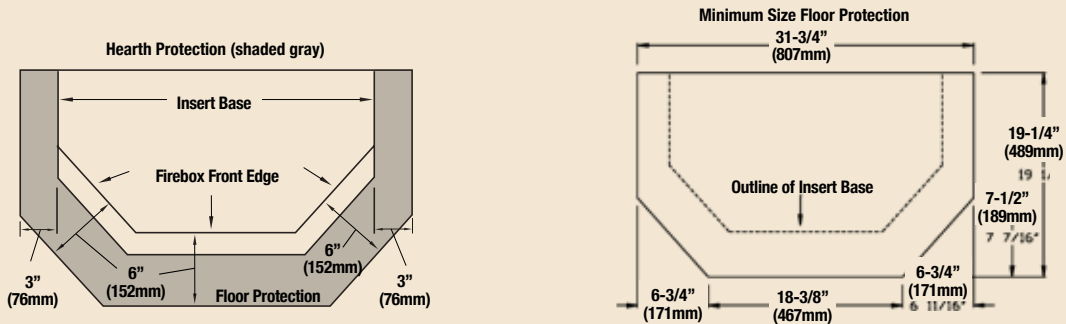
FIREPLACE DIMENSIONS



CLEARANCES



FLOOR PROTECTION



Visit us online
IronStrike.us.com

