



WINSLOW PS40GL

OVERVIEW

- ◆ Large, heavy-duty welded steel heat exchanger provides efficient heat transfer and maximum durability.

- ◆ Smart Heat™ technology delivers the ultimate in precision heating and comfort control.

- ◆ Large and easy-to-load hopper holds up to 60 lbs., requiring less loading and ensuring longer burn times.

- ◆ Innovative self-ignition system delivers hassle-free automatic starts and works with a thermostat for easy operation.

- ◆ Durable, cast-iron burn pot, with airburst feature, self-cleans for less maintenance and trouble-free starts.

- ◆ Extra-large ash drawer removes quickly and easily for simple cleaning.

- ◆ Sealed blower and auger assembly ensures quiet operation and never need to be greased.

- ◆ Unique air wash creates less maintenance and a clear view of the fire.

- ◆ Multiple door trims and grill finishes add to the attractive finished look. (1ea-required).

- ◆ Painted black interior with optional brick liner kit available.

- ◆ Several optional thermostat and on-off remote control kits are available for added convenience.

- ◆ Limited lifetime warranty

OPTIONS

DOORS



Black



Nickel



Brushed Nickel



Black Nickel

LINER



Brick Liner

GRILLS



Black



Brushed Nickel



Nickel



Black Nickel

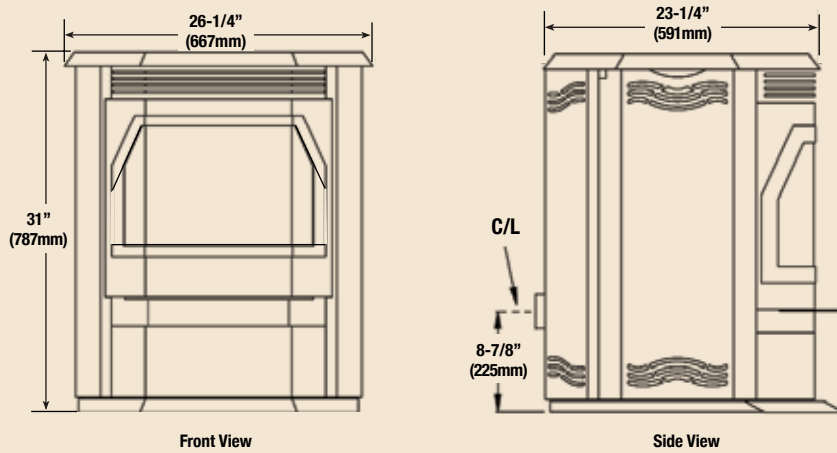
REMOTES



Thermostatic touch remote/On/Off remote

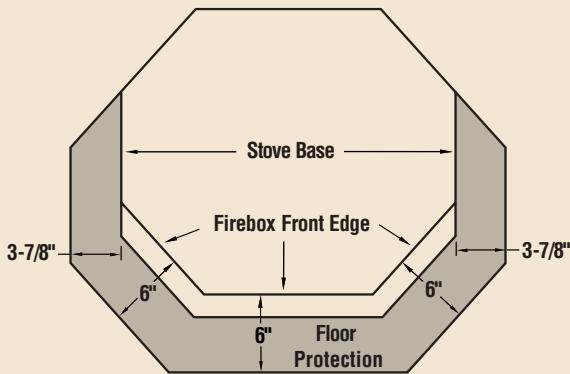
WINSLOW PS40GL

STOVE DIMENSIONS



FLOOR PROTECTION

The floor protection must be a non-combustible material extending beneath the stove and to the front and sides as shown here.



CLEARANCES

