

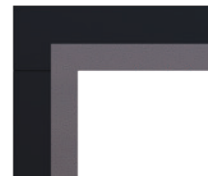


STANDARD FEATURES

- ◆ Available in 35", 40" and 45" clean-faced models
- ◆ Combo top/rear flue configuration for all models
- ◆ Electronic ignition with seamless battery backup to provide continued operation in the event of a power outage
- ◆ Outstanding heating efficiency for increased comfort and lower operating costs
- ◆ Ceramic glass for optimum heat transfer and a protective screen*
- ◆ Standard clear glass bead media
- ◆ Factory installed blower with six speed settings to fine tune your heating needs
- ◆ Standard full four-piece black reflective porcelain interior liner
- ◆ Durable textured powder coat finish
- ◆ Mood enhancing interior illumination, with six distinctive settings
- ◆ Multi-function touch remote control (thermostat, flame, blower, lighting, IPI/CPI)
- ◆ Limited Lifetime Warranty

*All applicable models comply with ANSI Z21.50/88 barrier requirements.

DECORATIVE FACE TRIM
(Optional)



Aged Silver



Aged Copper



Black

GLASS MEDIA
(Choose One)



Clear (standard)



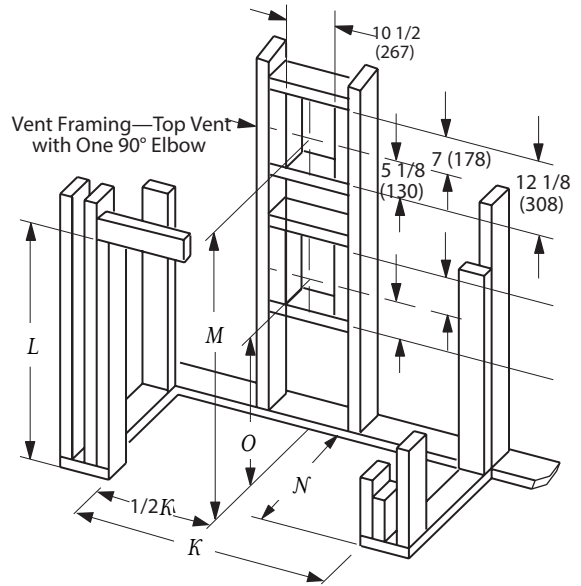
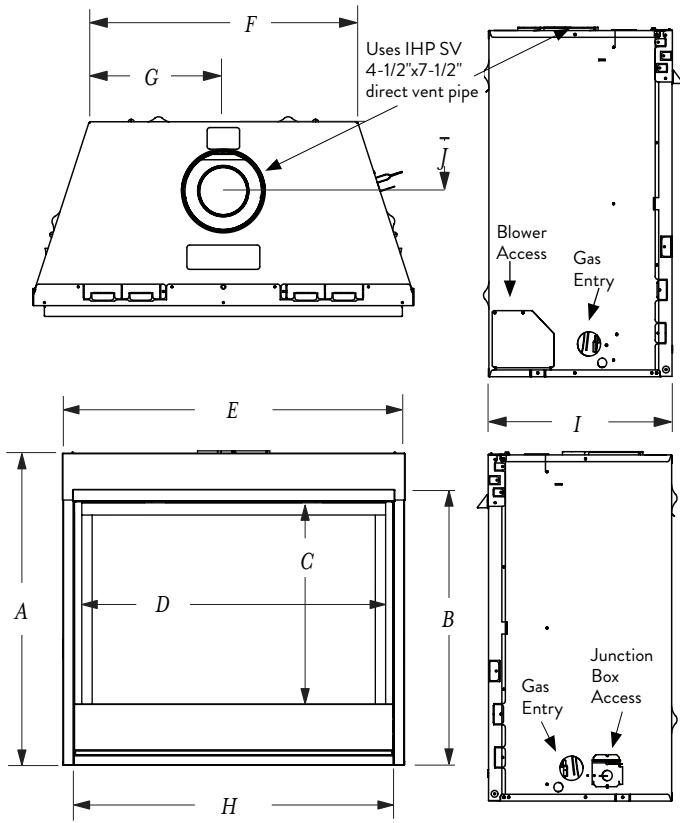
Amber



Included multi-function touch remote

APPLIANCE SPECIFICATIONS

FLAT WALL FRAMING SPECIFICATIONS



	SCORPIO CD 35	SCORPIO CD 40	SCORPIO CD 45
A	32-1/8"	37-1/8"	37-1/8"
B	28-3/4"	33-1/4"	33-1/4"
C	22-1/4"	27-1/4"	27-1/4"
D	32-3/8"	37-3/8"	42-3/8"
E	35-1/4"	40-1/4"	45-1/4"
F	25"	30"	35"
G	12-1/2"	15"	17-1/2"
H	32-7/8"	37-7/8"	42-7/8"
I	17"	17"	17"
J	6-7/8"	6-7/8"	6-7/8"

	SCORPIO CD 35	SCORPIO CD 40	SCORPIO CD 45
K	35-3/8"	40-3/8"	45-3/8"
L	36-1/4"*	41-1/4"*	41-1/4"*
M	38-3/4"	43-3/4"	43-3/4"
N	18-1/2"	18-1/2"	18-1/2"
O	23-3/8"	28-1/4"	28-1/4"

* Includes 4" for fold-up standoffs

MODEL	FUEL	BTU/HR	AFUE**	P4 / ENERGUIDE*
SCORPIO CD 35	NG	20,000	66%	64.0%
SCORPIO CD 35	LP	19,000	66%	64.0%
SCORPIO CD 40	NG	24,000	66%	64.0%
SCORPIO CD 40	LP	22,000	66%	64.0%
SCORPIO CD 45	NG	28,000	67%	65.0%
SCORPIO CD 45	LP	26,000	67%	65.0%

*Intermittent ignition systems.

**Annual Fuel Utilization Efficiency (AFUE) is the recognized U.S. rating system for the total efficiency of heating products.

IMPORTANT NOTES:

As with any fireplace, this appliance is extremely hot during operation. Read and understand all operating instructions before using this appliance. For further information, consult your dealer.

Local conditions, such as elevation, wind, vent configuration and choice of fuel will affect overall appearance of the fire and heating performance. Performance can also vary with home design and insulation, climate, condition and type of fuel used, appliance location, burn rate, accessories chosen, chimney installation and how the appliance is operated.

Diagrams, illustrations and photographs are not to scale—consult installation instructions. Product designs, materials, dimensions, specifications, colors and prices are subject to change or discontinuance without notice.



© 2021 Innovative Hearth Products
785789M 11/21

Visit us online
Astria.us.com

