

# WRT/WCT2000 SERIES

WOOD BURNING FIREPLACES

**Superior**  
FIREPLACES®



## STANDARD FEATURES

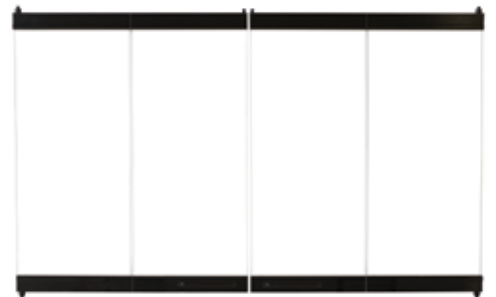
- Available in 36" and 42" models
- Radiant smooth-faced or circulating rolled louver models
- Fully insulated firebox
- White stacked refractory panels
- Log grate
- Push/pull damper control
- Includes mesh fire screens
- Barometric outside air damper
- Fan kit available (for circulating models only)
- Durable textured powder coat finish
- Uses IHP 8 DM (1700°) double wall air cooled wood burning chimney
- 20 year limited warranty

## LINER



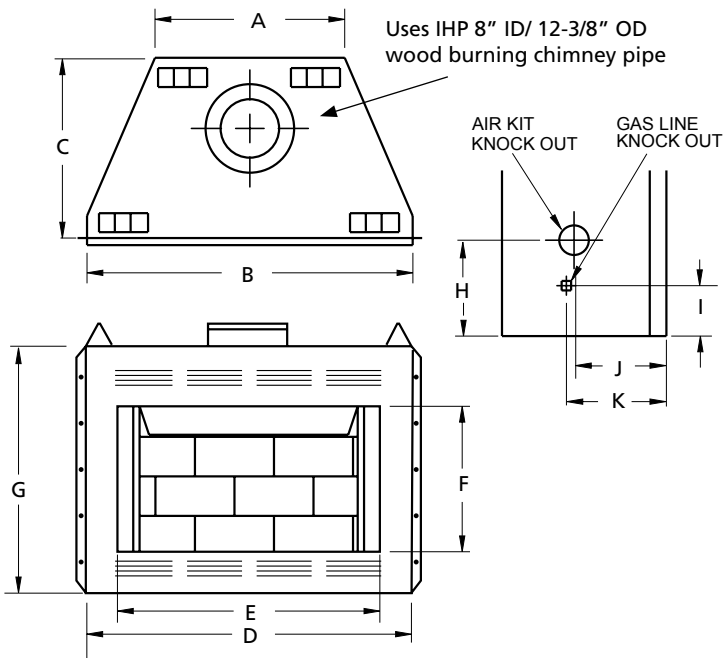
White Stacked

## EXTERIOR OPTIONS



Black Bi-Fold Glass Doors

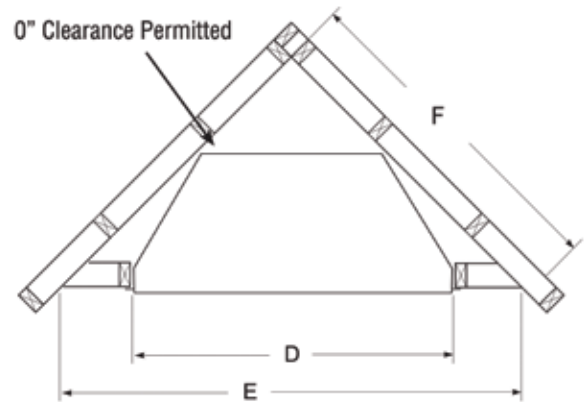
## APPLIANCE SPECIFICATIONS



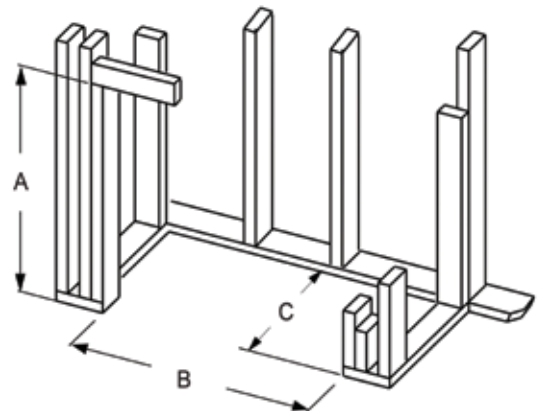
	WRT/WCT2036	WRT/WCT2042
A	22-1/2"	28-1/2"
B	36"	42"
C	21-1/8"	21-1/8"
D	38"	44"
E	36"	42"
F	21-1/2"	21-1/2"
G	34"	33"
H	13-7/8"	13-7/8"
I	9-1/8"	8-1/4"
J	9-5/8"	9-5/8"
K	10-3/16"	10-3/16"

ON THE COVER: WCT2036 with white stacked refractory panels

## FRAMING SPECIFICATIONS



Models	D	E	F
32" Models	34-1/2" 876 mm	55-5/8" 1413 mm	39-3/8" 1000 mm
36" Models	41-1/2" 1054 mm	71-1/4" 1810 mm	50-3/8" 1280 mm



Models	A	B	C
32" Models	36-3/4" 934 mm	34-7/8" 886 mm	16-1/4" 413 mm
36" Models	40-1/2" 1029 mm	41-1/2" 1054 mm	20-3/4" 527 mm

### IMPORTANT NOTES:

As with any fireplace, this appliance is extremely hot during operation. Read and understand all operating instructions before using this appliance. For further information, consult your dealer.

Local conditions, such as elevation, wind, vent configuration and choice of fuel will affect overall appearance of the fire and heating performance. Performance can also vary with home design and insulation, climate, condition and type of fuel used, appliance location, burn rate, accessories chosen, chimney installation and how the appliance is operated.

Diagrams, illustrations and photographs are not to scale—consult installation instructions. Product designs, materials, dimensions, specifications, colors and prices are subject to change or discontinuance without notice.



© 2022 Innovative Hearth Products

785847M 03/22

Visit us online  
[SuperiorFireplaces.us.com](http://SuperiorFireplaces.us.com)

