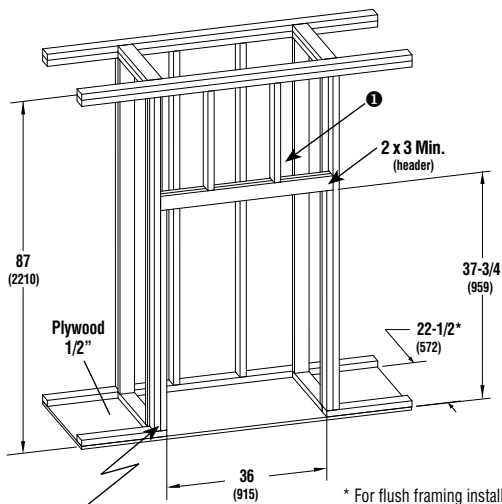


# Ladera-D

## EPA Wood Burning Fireplaces Specifications

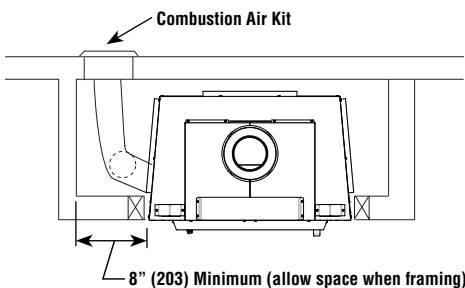
Framing Dimensions



**Rough Framing Face**  
(dimension includes finish material inside framing, if any)

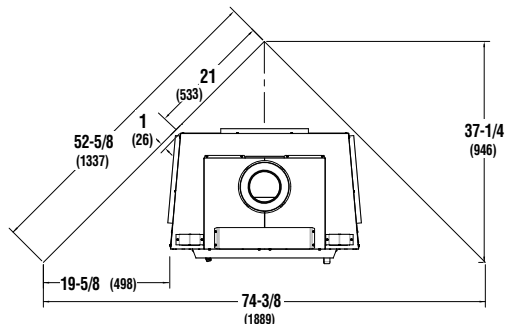
\* For flush framing installations

❶ Combustible materials can NOT be used in the space directly above the fireplace. Do not fill the space above the fireplace with any material (Except the wood framing)



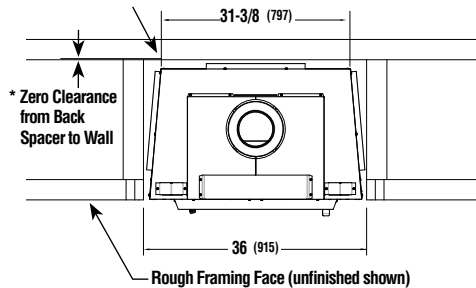
Inches (millimeters)

### Corner Installation



### Outside Chase

Back Wall of Chase / Enclosure Including Finishing Materials, if any



Listing



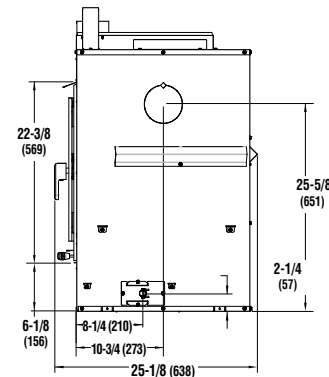
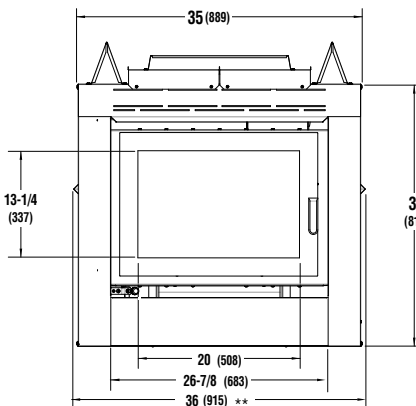
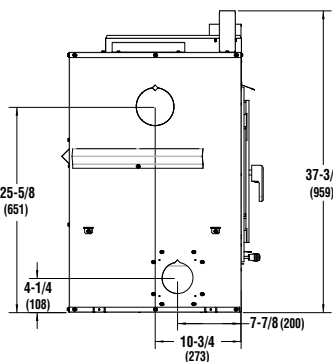
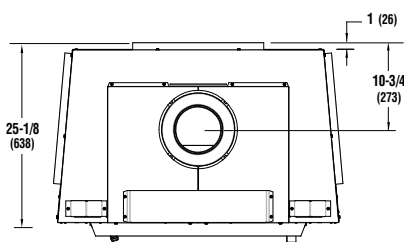
Report No. 14-181

Listed to ULC-S610 & UL-127

EPA Cert. No. 111-17

Fireplace Dimensions

NOTES
Diagrams, illustrations and photographs are not to scale – consult installation instructions. Product designs, materials, dimensions, specifications, colors and prices are subject to change or discontinuance without notice.
All framing dimensions calculated for 1/2" dry wall at the fireplace face. If sheathing the chase or finishing with other thickness materials, calculations will need to be made.
The fireplace must not be in contact with any insulation or loose filling material. Cover the insulation with drywall panels around the fireplace.

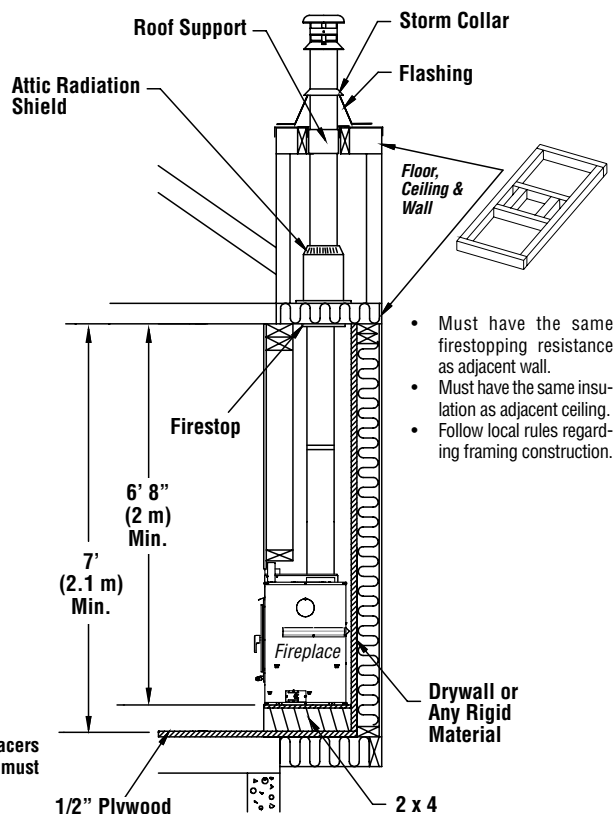
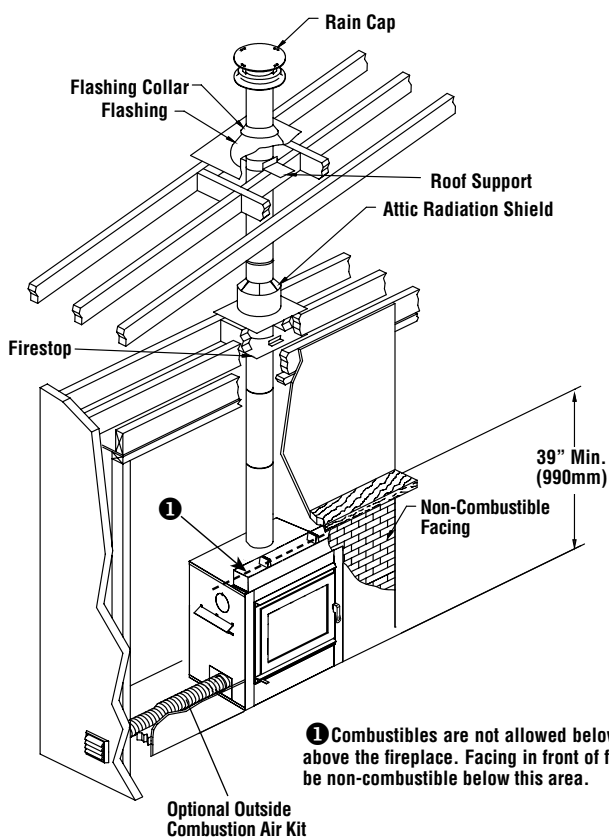


# Ladera-D

## EPA Wood Burning Fireplaces Specifications

Cat.#	Model	Description
F4808	Ladera-D	2.0 Cubic Foot Wood Burning Fireplace

### Typical Installations



### Combustible Clearances

#### CLEARANCE TO COMBUSTIBLES

The following clearances meet the minimum requirements for a safe installation;

**Side wall:** 24" (610 mm) measured from the fireplace opening

**Ceiling:** 6' 8" (2,032 mm) measured from the base of the fireplace

#### Fireplace enclosure:

**Bottom:** 0"

**Side:** 0" to standoff

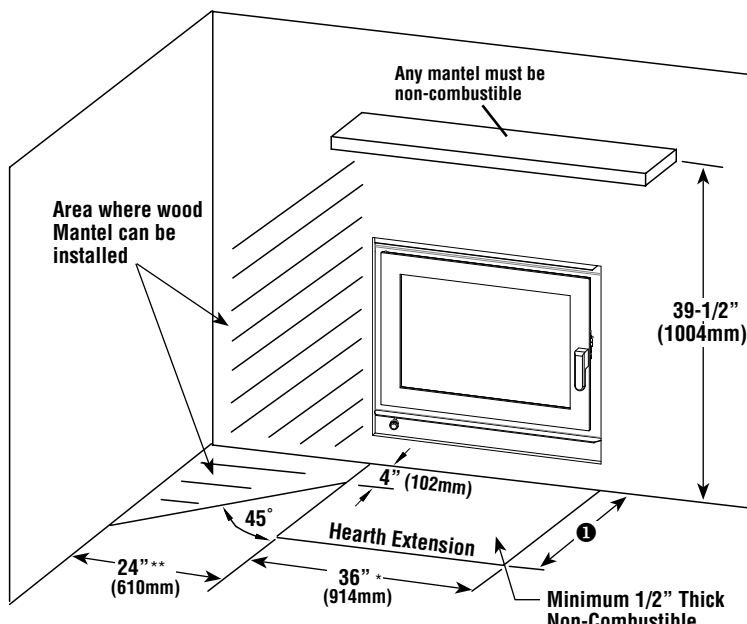
**Back:** 0" to standoff

**Top:** Do not fill the space above the fireplace with any material (Except the wood framing)

**Chimney:** 2" (50 mm)

**Mantel:** 39-1/2" (1004 mm) measured from the base of the fireplace.

### Hearth Extension and Mantel



**1** USA = 16" (407 mm) Min.  
Canada = 18" (457 mm) Min.

\* centered on fireplace  
\*\* measured from door opening (or side of viewing glass edge)

**NOTE:** Hearth extension must extend 8" minimum from each side of the firebox opening