

DRL4000 ST SERIES

LINEAR DIRECT VENT FIREPLACES



STANDARD FEATURES

- Available in 48", 60", 72", and 84" linear configured models
- Indoor see-through conversion kit available to allow viewing from two living spaces
- Indoor/Outdoor see-through conversion kit available to enjoy the fire both inside and out (48" model only)
- HeatFlo kit option allows heat to be directed above heat sensitive wall hangings
- Electronic ignition with battery backup provides continued operation in the event of a power outage
- Clean-face design with integrated tile stops for easy finishing
- Ceramic glass for optimum heat transfer and a protective screen*
- Black painted interior standard with a reflective glass liner option available
- Reflective black crushed glass media included with several optional colors available to customize the look
- Optional blower and hand held multi-function remote control available
- 20-year limited warranty

*All applicable models comply with ANSI Z21.88 barrier requirements.

LINER



Black Porcelain Interior (Standard)



Reflective Black Glass Liner

MEDIA



Platinum Crushed Glass (Standard)



Refl. Blue Crushed Glass



Refl. Black Crushed Glass

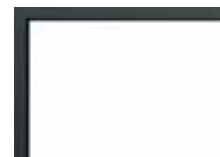


High-Definition Driftwood Log Sets



River Rock Assorted Set

TRIM



Black Perimeter Trim Kit

REMOTE



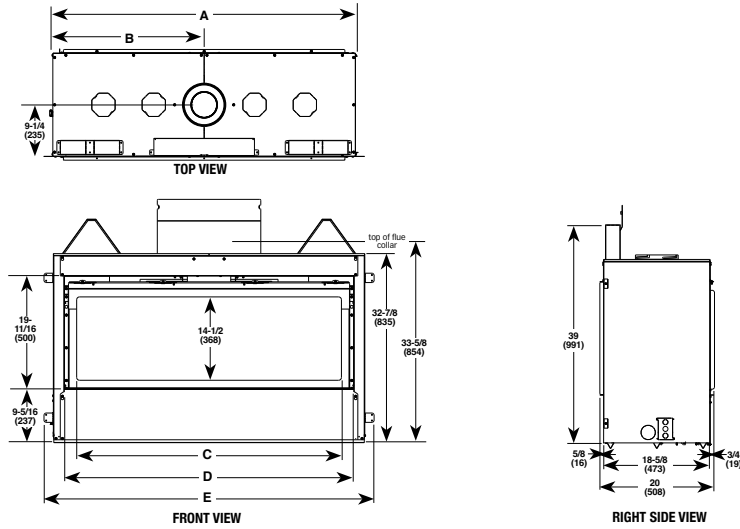
On/Off Thermostat Remote

superiorfireplaces.us.com

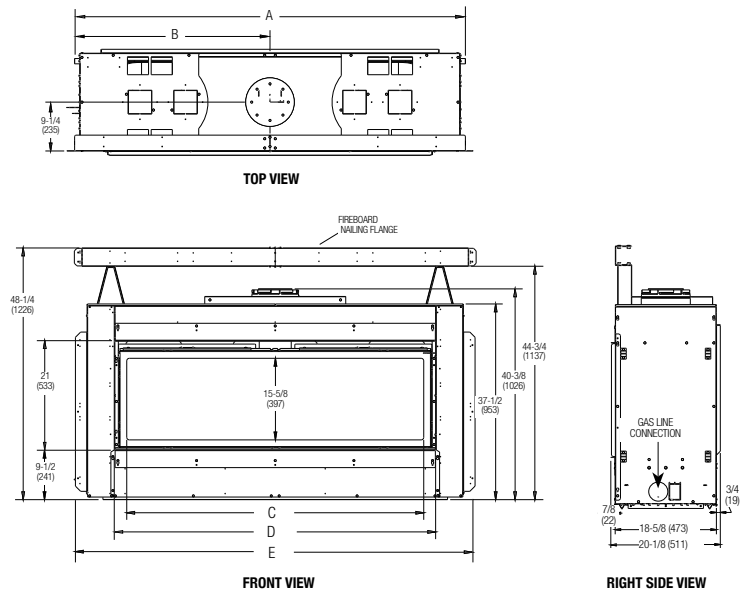
APPLIANCE SPECIFICATIONS

FRAMING SPECIFICATIONS

48" MODEL



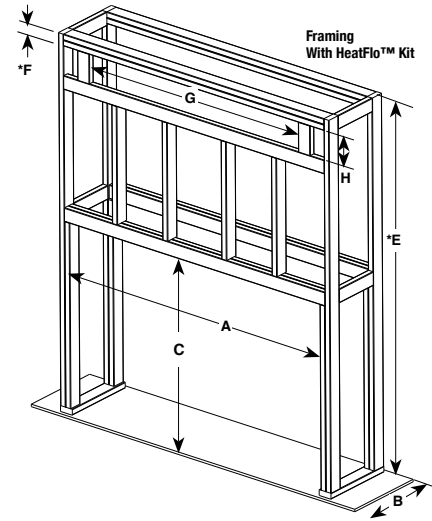
60", 72", & 84" MODELS



DRL 4000 ST SERIES DIMENSIONS

Models	A	B	C	D	E
48"	54-1/4"	27-1/8"	46"	50-3/8"	57-7/16"
60"	74"	37"	56-5/8"	61-1/2"	76-5/8"
72"	86"	43"	68-5/8"	73-1/2"	88-5/8"
84"	98"	49"	80-5/8"	85-1/2"	100-5/8"

• REFER TO INSTALLATION MANUAL FOR ALL REQUIRED CLEARANCES TO COMBUSTIBLES.



DRL 4000 SERIES FRAMING DIMENSIONS

Models	A	B	C	E	F	G	H
48" One Sided Framing HeatFlo Kit	55-5/8"	19-1/2"	39-1/8"	84"	1-1/2"	53-1/2"	5-1/8"
60" One Sided Framing HeatFlo Kit	74-1/4"	19-1/2"	48-1/2"	84"	3"	62"	7-1/2"
72" One Sided Framing HeatFlo Kit	86-1/4"	19-1/2"	48-1/2"	84"	3"	78"	7-1/2"
84" One Sided Framing HeatFlo Kit	98-1/4"	19-1/2"	48-1/2"	84"	3"	90"	7-1/2"

E. Minimum height from appliance base to ceiling

F. Minimum Opening Distance from Ceiling to Allow for Min Distance from HeatFlo Register to Ceiling of 6"

• REFER TO MANUAL FOR COMPLETE SEE-THROUGH APPLICATION FRAMING DIMENSIONS AND MORE.

FIREPLACE BTU OPERATING RANGE

MODEL	FUEL	BTU/HR	AFUE	P4
DRL ST 4048	NG	35,000-23,500	63.0	62.5
DRL ST 4048	LP	31,000-25,500	63.0	62.4
DRL ST 4060-B	NG	40,000-28,000	52.6	55.1
DRL ST 4060-B	LP	40,000-30,000	52.6	54.0
DRL ST 4072	NG	45,000-31,500	55.0	57.0
DRL ST 4072	LP	43,000-32,250	55.0	57.8
DRL ST 4084	NG	50,000-35,000	51.1	55.4
DRL ST 4084	LP	47,000-35,250	56.7	63.1

IMPORTANT NOTES:

As with any fireplace, this appliance is extremely hot during operation. Read and understand all operating instructions before using this appliance. For further information, consult your dealer.

Local conditions, such as elevation and choice of fuel will affect overall appearance of the fire and heating performance. Performance can also vary with home design and insulation, ceiling height, accessories chosen and appliance location.

Diagrams, illustrations and photographs are not to scale — consult installation instructions. Product designs, materials, dimensions, specifications, colors and prices are subject to change or discontinuance without notice.

