

# DRT35 MULTI-VIEW

DIRECT VENT GAS FIREPLACES

**Superior**  
FIREPLACES®



## STANDARD FEATURES

- Available in 35" clean-faced see through and peninsula models
- Combo top/rear flue configuration for all models
- Energy saving electronic ignition
- Outstanding heating efficiency for increased comfort and lower operating costs
- Standard tempered glass and a protective screen\*
- Detailed ceramic fiber "aged oak" log set with 1/2" heavy duty grate
- Black painted interior (optional ceramic fiber liner available)
- Durable textured powder coat finish
- Optional remote control available for all models
- 20 year limited warranty

\*All applicable models comply with ANSI Z21.50/88 barrier requirements.

[superiorfireplaces.us.com](http://superiorfireplaces.us.com)

## INTERIOR

Optional liners



Black Painted Interior  
(standard)



Buff Stacked  
Ceramic Fiber Liner

## REMOTE

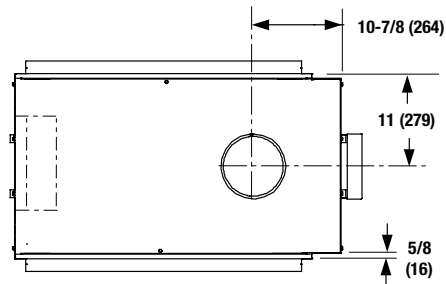


Optional  
Touch Remote

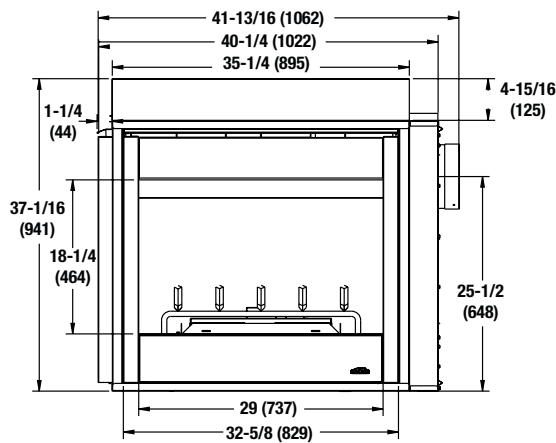
## APPLIANCE SPECIFICATIONS

## FRAMING SPECIFICATIONS

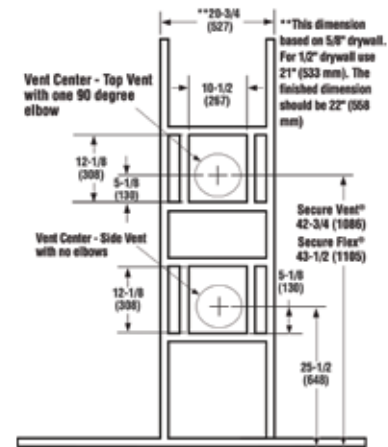
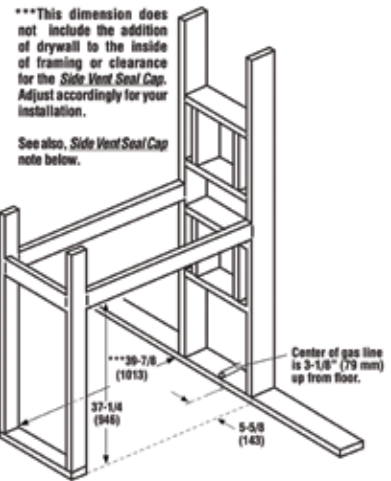
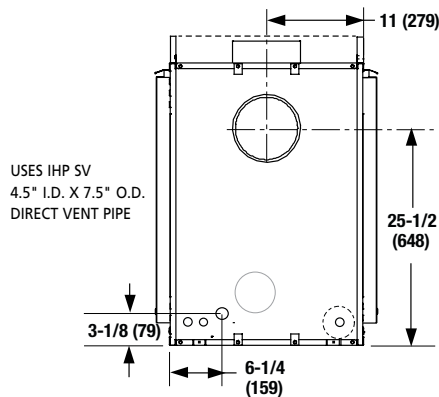
TOP VIEW



FRONT VIEW



FLUE SIDE VIEW



### DRT35 MULTI-VIEW FIREPLACE EFFICIENCIES — Listed to ANSI Z21.88 as a gas fireplace heater

MODEL	FUEL	BTU/HR	AFUE**	P4 / ENERGUIDE
DRT35ST DEN	NG	30,000	74.8%	54.7%
DRT35PF DEN	NG	30,000	74.8%	54.7%

\*\*Annual Fuel Utilization Efficiency (AFUE) is the recognized U.S. rating system for the total efficiency of heating products.

#### IMPORTANT NOTES:

As with any fireplace, this appliance is extremely hot during operation. Read and understand all operating instructions before using this appliance. For further information, consult your dealer.

Local conditions, such as elevation, wind, vent configuration and choice of fuel will affect overall appearance of the fire and heating performance. Performance can also vary with home design and insulation, climate, condition and type of fuel used, appliance location, burn rate, accessories chosen, chimney installation and how the appliance is operated.

Diagrams, illustrations and photographs are not to scale—consult installation instructions. Product designs, materials, dimensions, specifications, colors and prices are subject to change or discontinuance without notice.

*On the Cover:* DRT35ST (See Through) with black painted interior



© 2022 Innovative Hearth Products

785832M 03/22

Visit us online  
SuperiorFireplaces.us.com

