

# DRT630ST

DIRECT VENT GAS FIREPLACES



## STANDARD FEATURES

- Available in a 40" See Through model. Configurable as indoor/indoor or indoor/outdoor applications.
- Gas controls are conveniently hidden to the side of the fireplace opening for easy installation and finishing
- Electronic ignition with battery backup to provide continued operation in the event of a power outage
- Six flame settings with up to a 33% turn-down for precise heat control
- Smooth-face design features ceramic glass for optimum heat transfer and a protective screen\*
- Beautifully crafted aged oak high density fiber log set with heavy duty grate
- Interior liner selections consists of two-piece black reflective porcelain or ceramic fiber
- Full function remote control (T-stat, flame, IPI/CPI)
- Available in dedicated power-vent models (Natural Gas only)
- Optional outdoor window kit, tested and listed to ASTM commercial window standard for air infiltration, water resistance, structural integrity and thermal resistance (U-Value/CRF)
- 20 year Limited warranty

\*All applicable models comply with ANSI Z21.50/88 barrier requirements.

[superiorfireplaces.us.com](http://superiorfireplaces.us.com)

## INTERIOR



Black Reflective Porcelain



Buff Rustic



Buff Herringbone

## OUTDOOR KITS (ONE REQUIRED)



Light Tinted



Dark Tinted

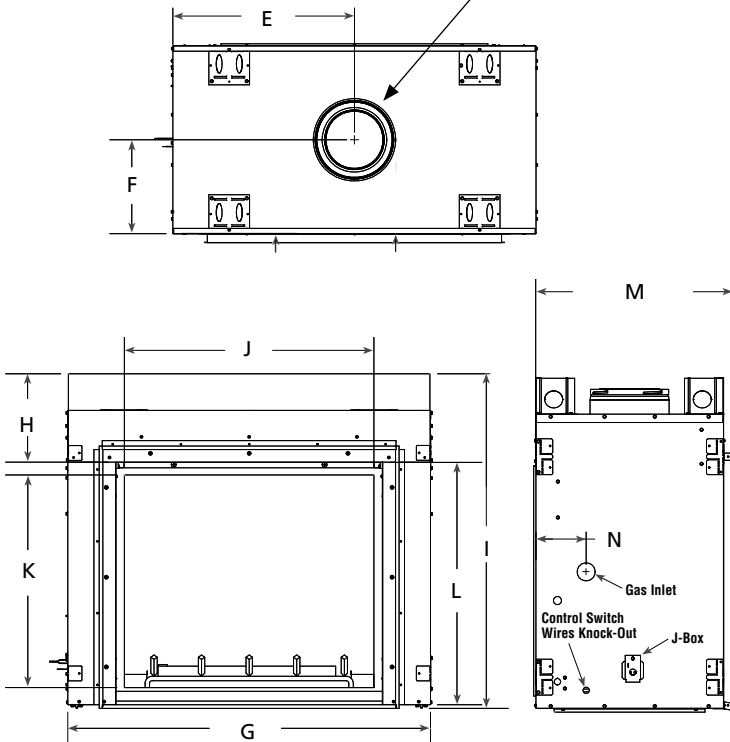
## REMOTE



ProFlame II Remote

## APPLIANCE SPECIFICATIONS

Uses IHP 8" ID/11" OD direct vent pipe



### DRT63ST

E	25-9/32"
F	13-3/32"
G	50-1/2"
H	12-5/16"
I	46-19/32"
J	34-3/4"
K	29-19/32"
L	33-3/4"
M	27-7/16"
N	7"

**On the Cover:** DRT63ST shown with Black Reflective porcelain liners and aged oak log set

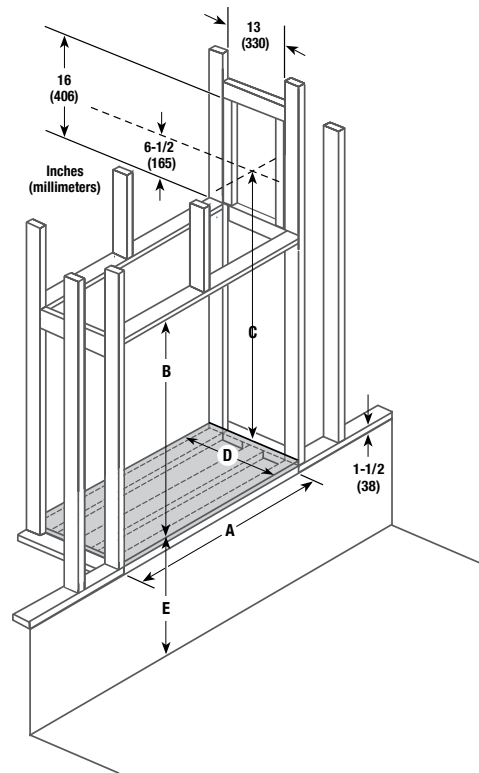
#### IMPORTANT NOTES:

As with any fireplace, this appliance is extremely hot during operation. Read and understand all operating instructions before using this appliance. For further information, consult your dealer.

Local conditions, such as elevation, wind, vent configuration and choice of fuel will affect overall appearance of the fire and heating performance. Performance can also vary with home design and insulation, climate, condition and type of fuel used, appliance location, burn rate, accessories chosen, chimney installation and how the appliance is operated.

Diagrams, illustrations and photographs are not to scale—consult installation instructions. Product designs, materials, dimensions, specifications, colors and prices are subject to change or discontinuance without notice.

## FRAMING SPECIFICATIONS



### DRT63ST

A	52-1/16"
B	47-5/16"
C	75-1/2"
D	26-5/16"
E	6" (Pedestal for outdoor applications only)

### FIREPLACE EFFICIENCIES — Listed to ANSI Z21.88 as a gas fireplace heater.

MODEL	FUEL	BTU/HR	AFUE**	ENERGUIDE*
DRT63ST	NG	57,000-37,000	60.9%	59.9%
DRT63ST	LP	50,000-40,000	59.8%	55.1%
DRT63STTYN	NG	57,000-37,000	65.1%	61.6%

\*Intermittent ignition systems.

\*\*Annual Fuel Utilization Efficiency (AFUE) is the recognized U.S. rating system for the total efficiency of heating products.



© 2022 Innovative Hearth Products  
785834M 03/22

Visit us online  
SuperiorFireplaces.us.com

