

# VRL4543 SERIES

LINEAR VENT FREE FIREPLACES

**Superior**  
FIREPLACES®



## STANDARD FEATURES

- 🔥 43" front open linear configuration
- 🔥 Transform your fireplace into a see-through model using the optional conversion kit
- 🔥 Gas controls are conveniently hidden in the fireplace floor
- 🔥 Electronic ignition with battery backup to operate in the event of a power outage
- 🔥 Dancing yellow flames
- 🔥 Six flame settings for precise heat control
- 🔥 99.9% heating efficiency
- 🔥 Three-piece black reflective porcelain liners
- 🔥 Includes clear glass media
- 🔥 Mood enhancing fireplace interior lighting, with six distinctive illumination settings
- 🔥 Full function remote control (T'stat, flame, lighting, IPI/CPI)
- 🔥 20 year limited warranty

## MEDIA



Clear (standard)



Amber

## DECORATIVE FACE TRIM



Aged Silver



Aged Copper



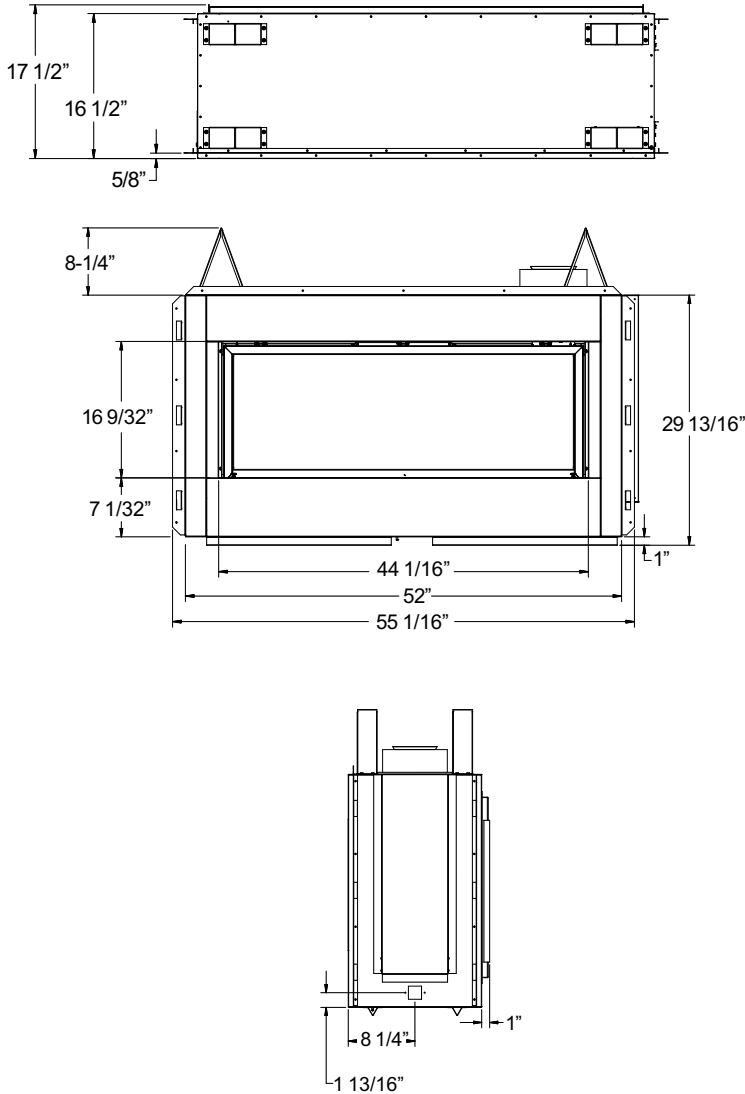
Black

## MEDIA

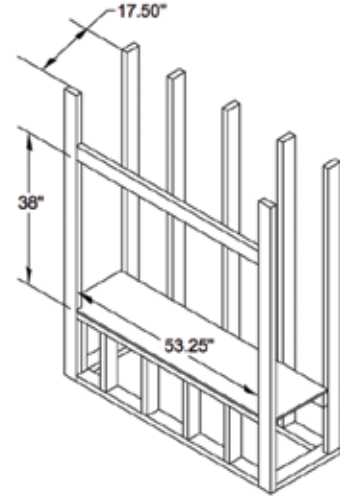


Touch Screen Remote

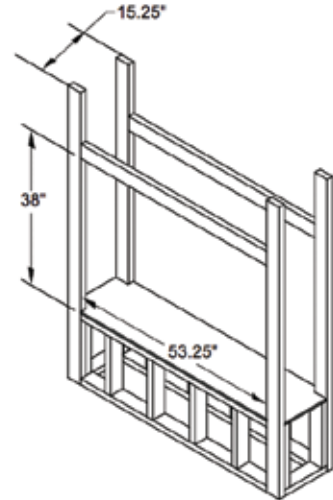
## APPLIANCE SPECIFICATIONS



ONE SIDED APPLICATION



SEE-THROUGH APPLICATION



### FIREPLACE EFFICIENCIES

MODEL	FUEL	BTU/HR	AFUE*
<b>VRL4543</b>	NG	25,000-39,000	99.9%
<b>VRL4543</b>	LP	29,000-37,000	99.9%

\*Annual Fuel Utilization Efficiency (AFUE) is the recognized U.S. rating system for the total efficiency of heating products.

**On the Cover:** VRL4543 with standard Clear Glass Media and optional Decorative Face Trim

#### IMPORTANT NOTES:

As with any fireplace, this appliance is extremely hot during operation. Read and understand all operating instructions before using this appliance. For further information, consult your dealer.

Local conditions, such as elevation and choice of fuel will affect overall appearance of the fire and heating performance. Performance can also vary with home design and insulation, ceiling height, accessories chosen and appliance location.

Diagrams, illustrations and photographs are not to scale — consult installation instructions. Product designs, materials, dimensions, specifications, colors and prices are subject to change or discontinuance without notice.

