

# VRT2500 SERIES

VENT-FREE GAS FIREBOXES

**Superior**  
FIREPLACES®



## FEATURES

- Available in 36" and 42" clean-faced heat-circulating models
- 24" tall and full width refractory opening on all models
- White stacked refractory liners (sides and back only)
- Includes heat deflection hood
- Durable textured powder coat finish
- Includes mesh fire screens
- Select from a variety of compatible vent-free log sets and controls (sold separately)
- Optional precision-cut decorative twin-pane screen doors in a textured iron finish
- Optional blower kits available for all models
- Optional outside air kit
- 20-year limited warranty

Compatible with any listed ANSI Z21.11.2 vent-free log set.  
Choose a Superior vent-free log set for best results.

[superiorfireplaces.us.com](http://superiorfireplaces.us.com)

## LINER



## COMPATIBLE VENT-FREE GAS LOG SETS



Crescent Hill



Crescent Hill HD



Golden Oak



Boulder Mountain

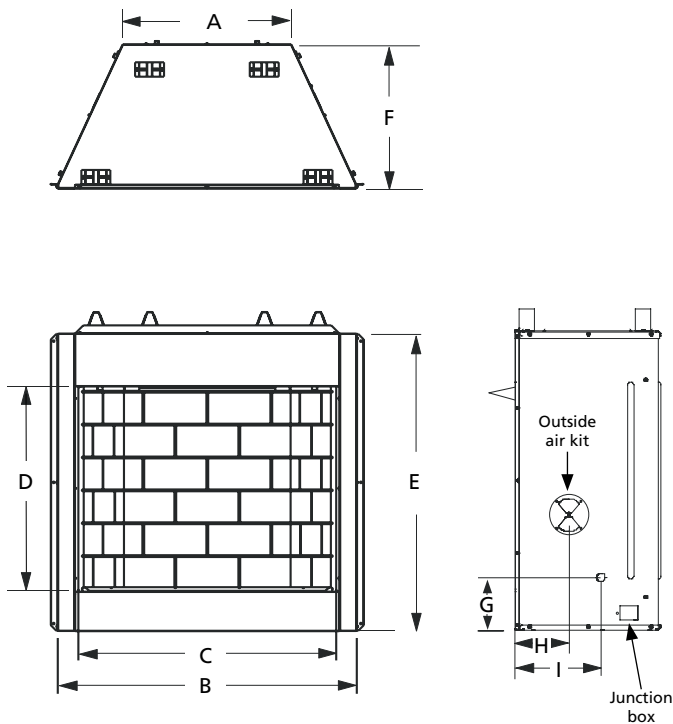


Rugged Stack



Wild Timber

## APPLIANCE SPECIFICATIONS



	VRT2536	VRT2542
A	23-1/2"	29-1/2"
B	41-3/4"	47-3/4"
C	36"	42"
D	24"	24"
E	37-1/4"	37-1/4"
F	20"	20"
G	7-3/8"	7-3/8"
H	7-1/2"	7-1/2"
I	12"	12"

### IMPORTANT NOTES:

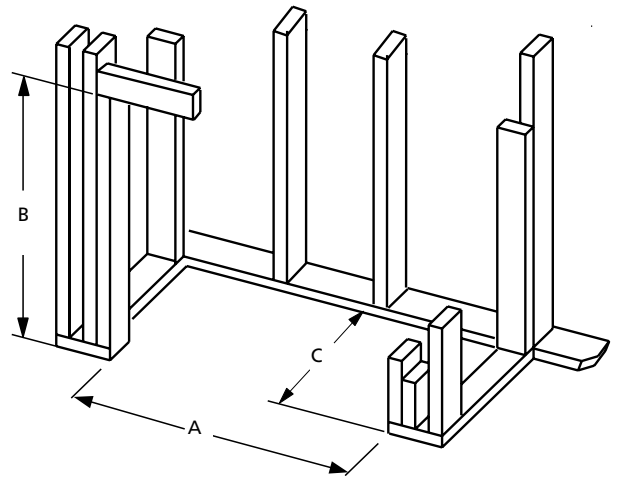
As with any heating appliance, fireplace or stove, this appliance is extremely hot during operation. Read and understand all operating instructions before using this appliance. For further information, consult your dealer.

Local conditions, such as elevation and choice of fuel will affect overall appearance of the fire and heating performance. Performance can also vary with home design and insulation, ceiling height, accessories chosen and appliance location.

Diagrams, illustrations and photographs are not to scale — consult installation instructions. Product designs, materials, dimensions, specifications, colors and prices are subject to change or discontinuance without notice.

Built to ANSI Z21.11.2 standard and approved by PFS Test Laboratories. Consult your distributor for local fireplace code information.

## FRAMING SPECIFICATIONS



### FRAMING SPECIFICATIONS

	VRT2536	VRT2542
A	42-1/4"	48-1/4"
B	40-1/4"	40-1/4"
C	20-1/2"	20-1/2"

### INTERIOR FIREBOX DIMENSIONS\*

	VRT2536	VRT2542
FRONT WIDTH	35"	41"
REAR WIDTH	23-1/4"	29-1/4"
DEPTH	17-3/8"	17-3/8"
HEIGHT	24"	24"

\* To assist with compatible log size selection

### OPTIONAL ACCESSORIES



Decorative Twin Pane Screen



© 2022 Innovative Hearth Products

785839M 07/22

Visit us online  
[SuperiorFireplaces.us.com](http://SuperiorFireplaces.us.com)

