

VRT3100 SERIES

VENT-FREE GAS FIREBOXES

Superior
FIREPLACES®



FEATURES

- Available in 32", 36", and 42" models w/ refractory liners and floor
- Available in 32", 36", and 42" models w/ fiber liners and black metal floor
- All models are heat-circulating with a clean face
- Includes heat deflection hood
- Durable textured powder coat finish
- Includes mesh fire screens
- Select from a variety of compatible vent-free log sets and controls (sold separately)
- Optional precision-cut decorative twin-pane screen doors in a textured iron finish
- Optional blower kits available for all models
- Optional outside air kit
- 20-year limited warranty

Compatible with any listed ANSI Z21.11.2 vent-free log set.
Choose a Superior vent-free log set for best results.

INTERIOR OPTIONS



Stacked
Refractory Liner



Back Bay Brown Fiber Liner

COMPATIBLE VF GAS LOG SETS



Crescent Hill



Crescent Hill HD



Golden Oak



Boulder Mountain



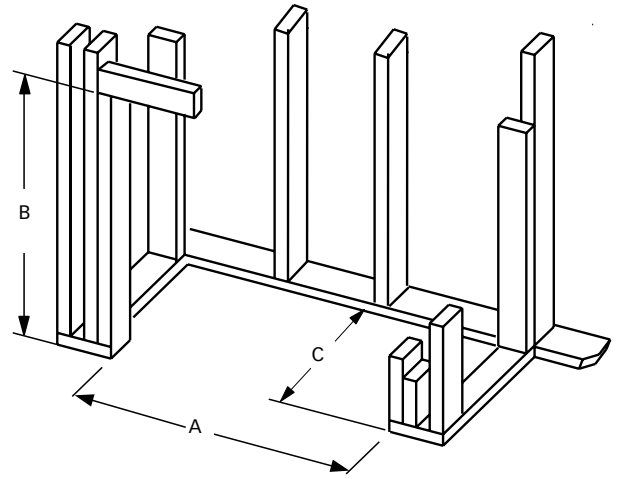
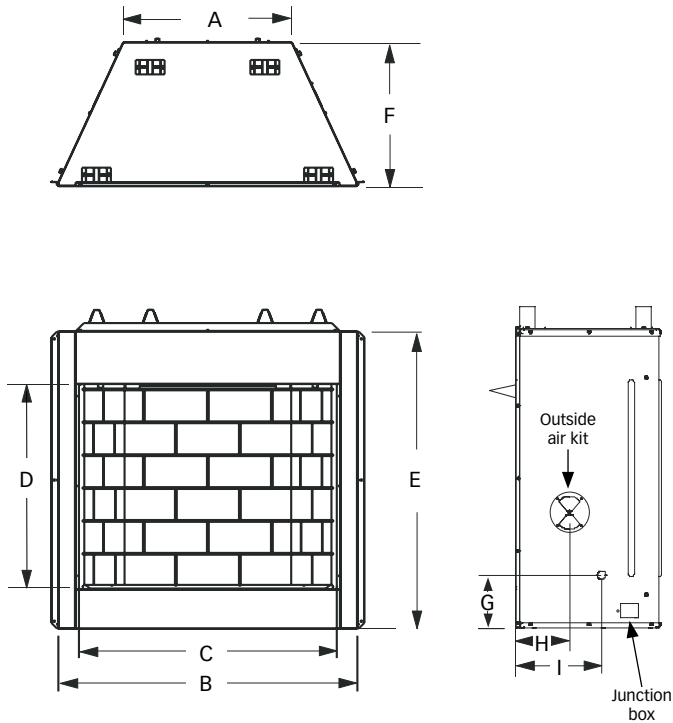
Rugged Stack



Wild Timber

APPLIANCE SPECIFICATIONS

FRAMING SPECIFICATIONS



FRAMING SPECIFICATIONS

	VRT3132	VRT3136	VRT3142
A	38-1/4"	42-1/4"	48-1/4"
B	40-1/4"	40-1/4"	40-1/4"
C	20-1/2"	20-1/2"	20-1/2"

INTERIOR FIREBOX DIMENSIONS*

	VRT3132	VRT3136	VRT3142
FRONT WIDTH	31"	35"	41"
REAR WIDTH	19-1/4"	23-1/4"	29-1/4"
DEPTH	17-3/8"	17-3/8"	17-3/8"
HEIGHT	24"	24"	24"

* To assist with compatible log size selection

OPTIONAL ACCESSORIES



Decorative Twin Pane Screen

IMPORTANT NOTES:

As with any heating appliance, fireplace or stove, this appliance is extremely hot during operation. Read and understand all operating instructions before using this appliance. For further information, consult your dealer.

Local conditions, such as elevation and choice of fuel will affect overall appearance of the fire and heating performance. Performance can also vary with home design and insulation, ceiling height, accessories chosen and appliance location.

Diagrams, illustrations and photographs are not to scale – consult installation instructions. Product designs, materials, dimensions, specifications, colors and prices are subject to change or discontinuance without notice.

Built to ANSI Z21.11.2 standard and approved by PFS Test Laboratories. Consult your distributor for local fireplace code information.

On the Cover: VRT3136 shown with Back Bay Brown Ceramic Fiber Liners and Rugged Stack Vent-Free Logs (sold separately).

Superior
FIREPLACES®

© 2023 Innovative Hearth Products

785840M 09/23

Visit us online
SuperiorFireplaces.us.com

PFS
US
Report #F14-168

