

VRT6000 SERIES

VENT-FREE GAS FIREBOXES

Superior
FIREPLACES®



STANDARD FEATURES

- Available in 36", 42" and 50" models
- 30" tall and full brick to-face-design opening on all models.
- Fully insulated firebox for increased performance in colder climates
- Mosaic Masonry Firebrick available in a variety of patterns and colors with integrated ash lip (one required)
- Includes mesh fire screens
- Durable textured powder coat finish
- Select from a variety of compatible vent-free log sets and controls (sold separately)
- Easy-access gas line knockouts on both sides for quick and simple installation.
- Dual (left hand/right hand) outside air kits available for maximum performance
- 20 Year Limited Warranty

Compatible with any listed ANSI Z21.11.2 vent-free gas log set. Choose a Superior vent-free gas log set for best results.

INTERIOR OPTIONS

MOSAIC MASONRY FIREBRICK LINERS



Midnight Full Herringbone



Midnight Full Stacked



Warm Red Full Herringbone



Warm Red Full Stacked



Midnight Split Herringbone



Midnight Split Stack



Warm Red Split Herringbone



Warm Red Full Stacked



Slate Grey Full Herringbone



Slate Grey Full Stack



Ivory Full Herringbone



Ivory Full Stack



Slate Grey Split Herringbone



Slate Grey Split Stack



Ivory Split Herringbone



Ivory Split Herringbone

COMPATIBLE VENT-FREE GAS LOG SETS



Boulder Mountain



Wild Timber



Rugged Stack

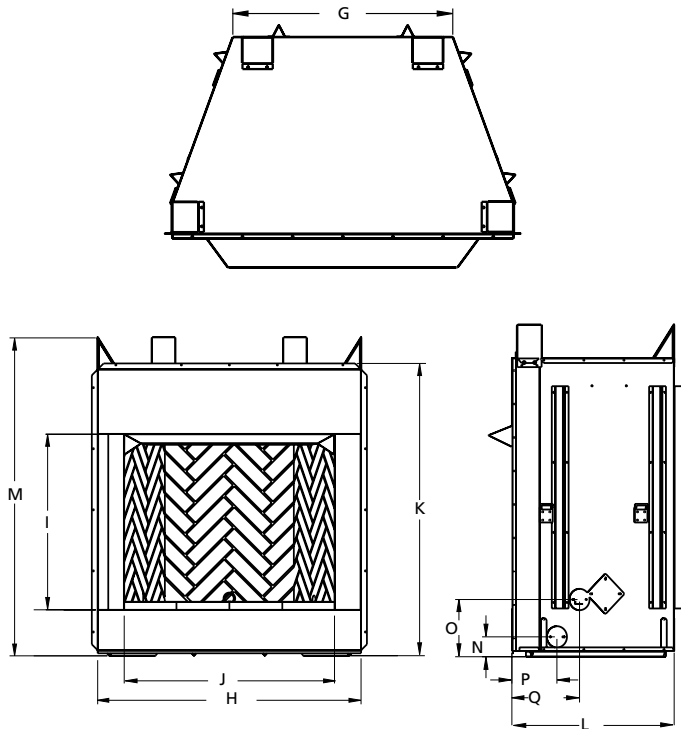


Mossy Oak



Giant Timbers

APPLIANCE SPECIFICATIONS



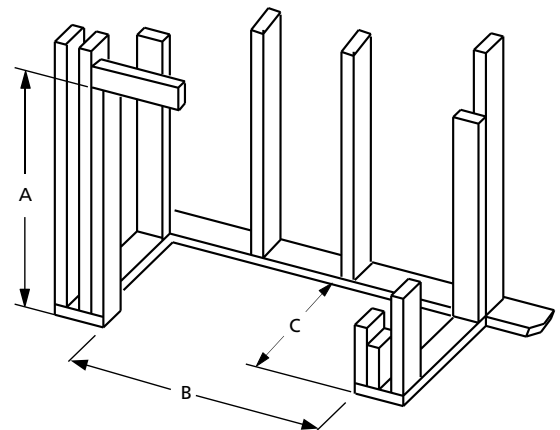
	VRT6036	VRT6042	VRT6050
G	29"	30-5/16"	38-5/16"
H	45-1/8"	51-1/8"	59"
I	30"	30"	30"
J	36"	42"	50"
K	49"	49"	49"
L	28"	30"	30"
M	54-1/2"	54-1/2"	54-1/2"
N	3-5/16"	3-5/16"	3-5/16"
O	9-7/16"	9-7/16"	9-7/16"
P	7-3/8"	8-3/4"	8-3/4"
Q	11-1/8"	13"	13"

INTERIOR FIREBOX DIMENSIONS*

	VRT6036	VRT6042	VRT6050
FRONT WIDTH	36"	42"	50"
REAR WIDTH	22 1/2"	26 3/8"	34 3/8"
DEPTH	19"	21 3/4"	21 3/4"
HEIGHT	30"	30"	30"

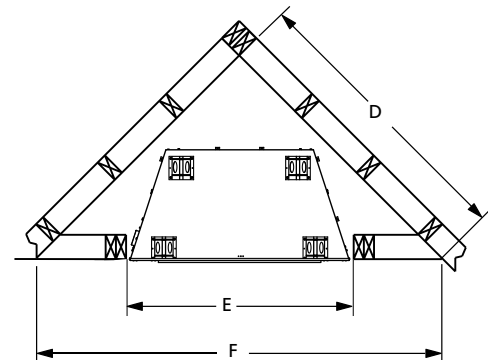
* To assist with compatible log size selection

FRAMING SPECIFICATIONS



	VRT6036	VRT6042	VRT6050
A	54-5/8"	54-5/8"	54-5/8"
B	45-3/8"	51-3/8"	59-3/8"
C	28-1/4"	30-1/8"	30-1/8"

CORNER FRAMING SPECIFICATIONS



	VRT6036	VRT6042	VRT6050
D	61"	65"	71"
E	45-3/8"	51-3/8"	59-3/8"
F	86-1/2"	92"	100"

IMPORTANT NOTES:

As with any fireplace, this appliance is extremely hot during operation. Read and understand all operating instructions before using this appliance. For further information, consult your dealer.

Local conditions, such as elevation and choice of fuel will affect overall appearance of the fire and heating performance. Performance can also vary with home design and insulation, ceiling height, accessories chosen and appliance location.

Diagrams, illustrations and photographs are not to scale — consult installation instructions. Product designs, materials, dimensions, specifications, colors and prices are subject to change or discontinuance without notice.

On the Cover: VRT6042 shown with Ivory Herringbone brick



© 2022 Innovative Hearth Products

785844M 07/22

Visit us online
SuperiorFireplaces.us.com

