

# BRT4000 SERIES

B-VENT GAS FIREPLACES

**Superior**  
FIREPLACES®



## STANDARD FEATURES

- Available in 36" and 42" radiant (clean-face) models
- Both use 6" b-vent
- Millivolt (Remote-ready) or electronic ignition
- Dual tube burner creates dramatic yellow flames with glowing ember bed
- Detailed ceramic fiber "split oak" log set with log grate
- BRT43 - Stacked Refractory Panel Interior
- BRT45 - Herringbone Refractory Panel Interior
- Screens retract into hidden screen pockets
- Hidden gas controls with damper safety switch
- Durable textured powder coat finish
- Optional outside air kit for increased performance
- Optional remote controls available for all models
- Dual access pre-wired electrical J-box
- 20-year limited warranty

## LINER

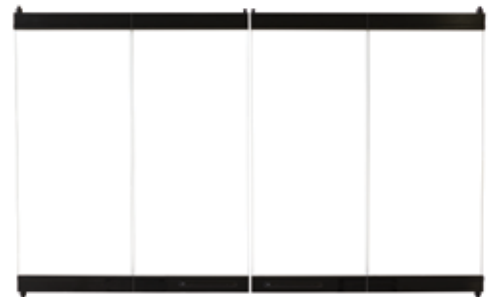


Stacked



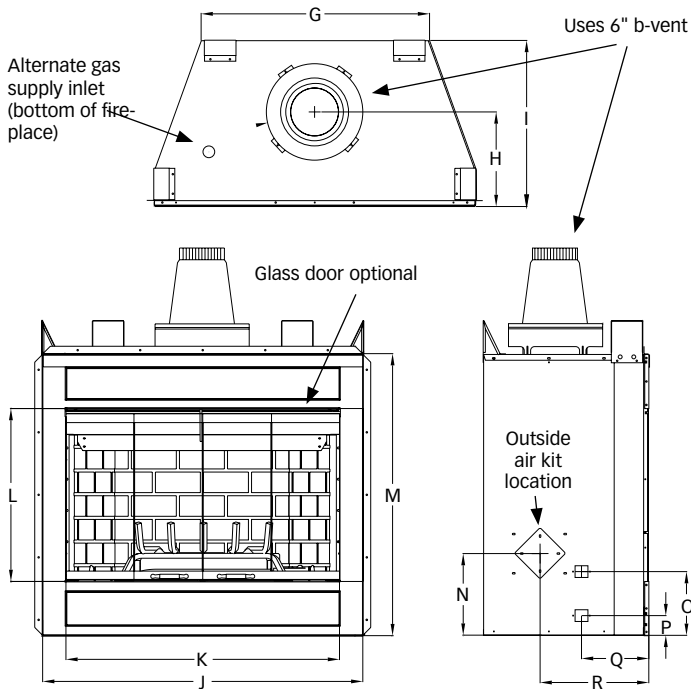
Herringbone

## EXTERIOR OPTIONS



Bi-Fold Glass Doors or Fixed Glass Doors

## APPLIANCE SPECIFICATIONS

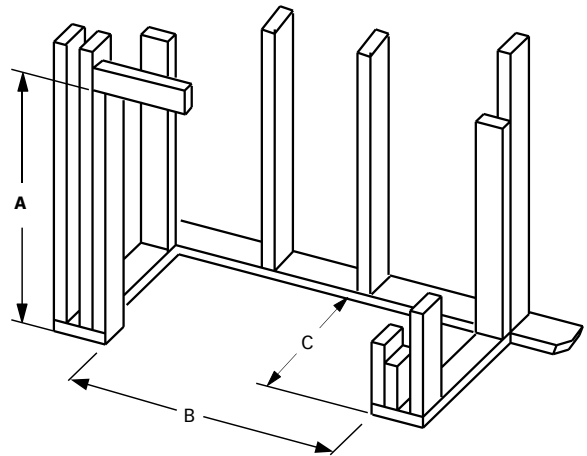


	BRT43/4536	BRT43/4542
G	29"	36"
H	12"	14"
I	21-1/4"	23"
J	41"	48"
K	34-3/4"	42"
L	21"	24"
M	36"	40"
N	10-1/2"	12-1/2"
O	8-1/8"	8-1/8"
P	2-1/2"	2-1/2"
Q	8-5/8"	10-1/2"
R	13-7/8"	14"

**FIREPLACE BTU** – Listed to ANSI Z21.50 as a decorative gas appliance.

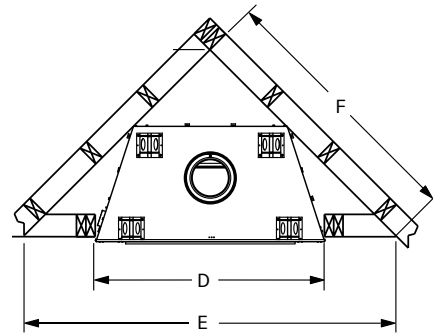
MODEL	FUEL	BTU/HR
<b>BRT4336</b>	NG	40,000
<b>BRT4336</b>	LP	40,000
<b>BRT4536</b>	NG	40,000
<b>BRT4536</b>	LP	40,000
<b>BRT4342</b>	NG	45,000
<b>BRT4342</b>	LP	45,000
<b>BRT4542</b>	NG	45,000
<b>BRT4542</b>	LP	45,000

## FRAMING SPECIFICATIONS



	BRT43/4536	BRT43/4542
A	40-3/8"	44-3/8"
B	41-1/4"	48-1/4"
C	21-3/8"	23-1/8"

## CORNER FRAMING SPECIFICATIONS



	BRT43/4536	BRT43/4542
D	41-1/4"	48-1/4"
E	73-7/8"	83-7/8"
F	52-3/16"	59-5/16"

**ON THE COVER:** BRT4536 with Herringbone Refractory Panel interior

### IMPORTANT NOTES:

As with any fireplace, this appliance is extremely hot during operation. Read and understand all operating instructions before using this appliance. For further information, consult your dealer.

Local conditions, such as elevation, wind, vent configuration and choice of fuel will affect overall appearance of the fire and heating performance. Performance can also vary with home design and insulation, climate, condition and type of fuel used, appliance location, burn rate, accessories chosen, chimney installation and how the appliance is operated.

Diagrams, illustrations and photographs are not to scale—consult installation instructions. Product designs, materials, dimensions, specifications, colors and prices are subject to change or discontinuance without notice.



© 2023 Innovative Hearth Products

785845M 09/23

Visit us online  
[SuperiorFireplaces.us.com](http://SuperiorFireplaces.us.com)

