

ERT3000 SERIES

ELECTRIC FIREPLACES

Superior
FIREPLACES®



STANDARD FEATURES

- Available in 33" & 36" traditional circulating models
- Mid-size 15" depth saves installed floor space
- Unique multi-level yellow and blue flame combination for greater realism
- Multi-level LED ember bed lighting enhances the fireplace with or without flames
- Mood-enhancing LED ceiling light with three distinctive settings
- Charred split oak log set and glowing ember bed
- Mesh fire screens for a traditional fireplace look
- Standard 5,000-BTU/120V (10,000-BTU/240V) thermostatically controlled heater
- Multi-function remote control included (on/off, flames, ember bed light, ceiling light, heater)
- Hardwired or plugged-in installation 120V/240V (120V grounded power cord provided)
- 1 Year Limited Warranty

MULTI-COLORED FLAME PRESENTATION



Blue Flame



Yellow Flame

DECORATIVE FRONT FACE PANELS



Interlocking Arch Face Panel with Screen



Mission Style Face Panel with Screen

PERIMETER TRIM KIT



Three-Piece Black

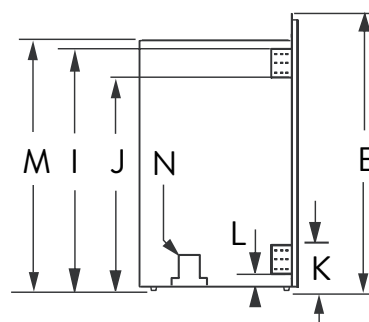
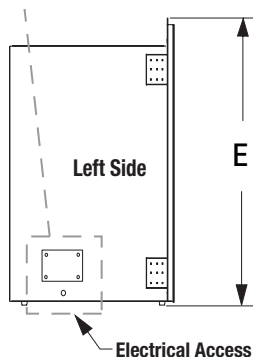
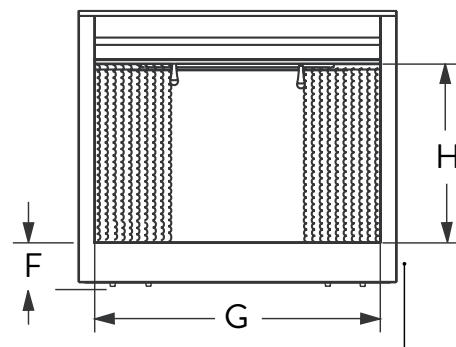
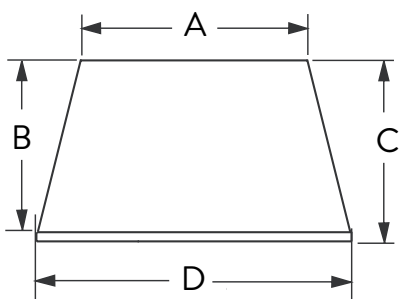
REMOTE (INCLUDED)



REMOTE FEATURES

- Main Power: On + Off
- Flame Intensity (Yellow): 4 levels + Off
- Flame Intensity (Blue): 4 levels + Off
- Ceiling Mood Lighting: 4 Levels + Off
- Ember Bed Lighting: Variable + Off
- Heater & Blower: High, Low, T-stat + Off
- One Button Preset: Preset Flame Effect

APPLIANCE SPECIFICATIONS



ERT3000 DIMENSIONS

	ERT3033	ERT3036
A	21-1/8"	24"
B	13-3/4"	13-3/4"
C	14-7/8"	14-7/8"
D	34-1/2"	37-5/8"
E	32"	32"
F	5-1/8"	5-1/8"
G	33"	36"
H	21-1/8"	21-1/8"
I	27-1/2"	27-1/2"
J	24-1/2"	24-1/2"
K	5-1/4"	5-1/4"
L	2-1/4"	2-1/4"
M	29-3/4"	29-3/4"
N	Electrical Access	Electrical Access

FRAMING SPECIFICATIONS

	ERT3033	ERT3036
WIDTH	35-1/4"	38-3/4"
HEIGHT	32"	32"
DEPTH	15-1/8"	15-1/8"

APPLIANCE BTU OPERATING INPUT

MODEL	TYPE	VOLTAGE	BTU/HR
ERT3033/36	ELECTRIC	120V	5,000
ERT3033/36	ELECTRIC	240V	10,000

IMPORTANT NOTES:

Heating element not intended for continuous operation.

As with any fireplace, this appliance is extremely hot during operation. Read and understand all operating instructions before using this appliance. For further information, consult your dealer.

Diagrams, illustrations and photographs are not to scale—consult installation instructions. Product designs, materials, dimensions, specifications, colors and prices are subject to change or discontinuance without notice.

