

# VRE3200 SERIES

OUTDOOR: VENT-FREE GAS FIREPLACE SYSTEMS

**Superior**  
FIREPLACES®



## STANDARD FEATURES

- Available in 36" and 42" radiant smooth faced models
- Battery operated electronic ignition and wireless remote control
- Tall random, dancing yellow flames for a realistic appearance
- Detailed charred oak style ceramic fiber log set imitates the look of natural wood
- Heavy duty stainless steel log grate and burner with concealed gas control valve
- Durable 304-stainless steel on front face, and all surfaces exposed to weather
- Robust stainless steel fire screens maintain their beauty over time
- Realistic refractory liner available in stacked or herringbone pattern
- Optional outdoor weather cover protects the firebox interior from adverse weather
- Optional brushed stainless hood available for reduced mantel clearances
- Optional drain pan available
- 20 year limited warranty

[superiorfireplaces.us.com](http://superiorfireplaces.us.com)

## INTERIOR LINERS (REQUIRED)



Stacked



Herringbone

## EXTERIOR WEATHER COVER (OPTIONAL)



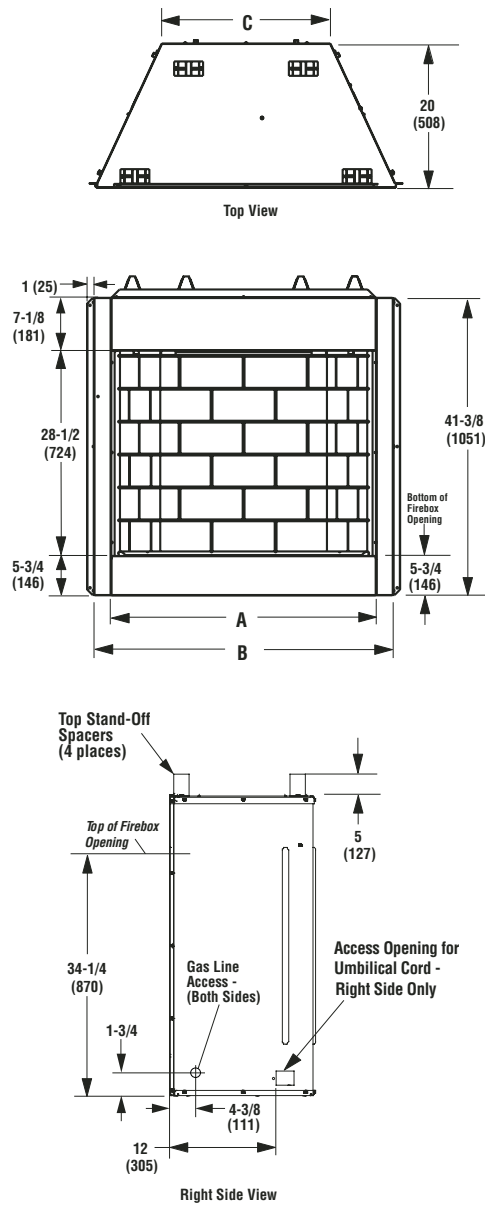
Stainless Steel Weather Cover

## REMOTE (INCLUDED)



On-Off Hi-Low Remote

## APPLIANCE SPECIFICATIONS



	VRE3236	VRE3242
<b>A</b>	37"	43"
<b>B</b>	41-3/4"	47-3/4"
<b>C</b>	23-1/2"	29-1/2"

### IMPORTANT NOTES:

As with any fireplace, this appliance is extremely hot during operation. Read and understand all operating instructions before using this appliance. For further information, consult your dealer.

Local conditions, such as elevation and choice of fuel will affect overall appearance of the fire and heating performance. Performance can also vary with home design and insulation, ceiling height, accessories chosen and appliance location.

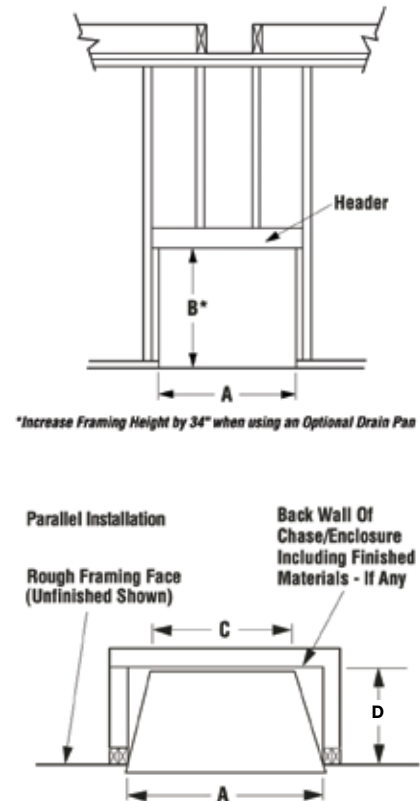
Diagrams, illustrations and photographs are not to scale – consult installation instructions. Product designs, materials, dimensions, specifications, colors and prices are subject to change or discontinuance without notice.



© 2023 Innovative Hearth Products

785862M 09/23

## FRAMING SPECIFICATIONS



### FRAMING SPECIFICATIONS

	VRE3236	VRE3242
<b>A</b>	42-3/4"	48-3/4"
<b>B</b>	46-1/2"	46-1/2"
<b>C</b>	23-5/8"	29-5/8"
<b>D</b>	20-1/2"	20-1/2"

### FIREPLACE BTU OPERATING RANGE

MODEL	FUEL	BTU/HR
VRE3236	NG	30,000-45,000
VRE3236	LP	32,000-41,000
VRE3242	NG	30,000-45,000
VRE3242	LP	32,000-41,000

*On the Cover:* VRE3236 shown with Herringbone Refractory Liner and Optional Brushed Stainless Steel Hood

Visit us online  
[SuperiorFireplaces.us.com](http://SuperiorFireplaces.us.com)

**PFS**  
 C US  
 Report #F14-020

