

# VRE4500 SERIES

OUTDOOR: VENT-FREE GAS FIREBOXES

**Superior**  
FIREPLACES®



## STANDARD FEATURES

- Available in 36", 42", and 50" models
- 30" tall and full width refractory opening on all models
- Fully insulated firebox for increased performance in colder climates
- Refractory panels available in two patterns
- Includes stainless steel mesh fire screens
- Stainless steel construction for long lasting outdoor use
- Select from a variety of compatible vent-free log sets and controls (sold separately)
- Easy-access gas line knockouts on both sides for quick and simple installation
- Dual (left hand/right hand) outside air kits available for maximum performance
- 20 year limited warranty

*Compatible with any listed ANSI Z21.97 outdoor vent-free gas log set. Choose a Superior vent-free gas log set for best results.*

[superiorfireplaces.us.com](http://superiorfireplaces.us.com)

## INTERIOR OPTIONS



Stacked



Herringbone

## COMPATIBLE VENT-FREE GAS LOG SETS



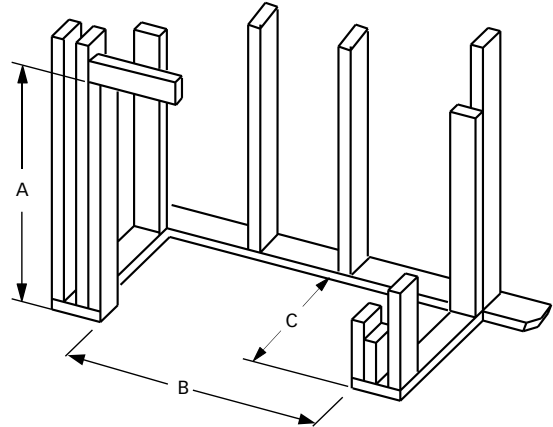
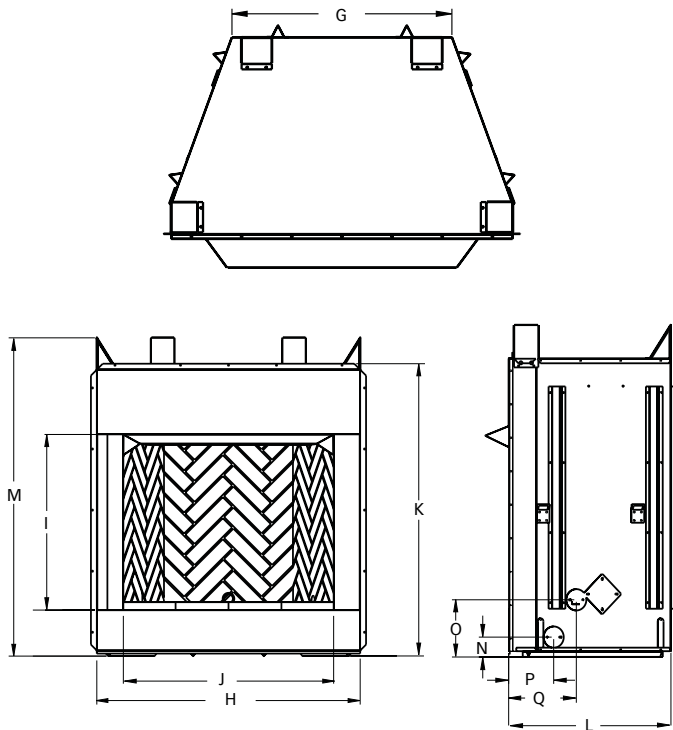
Giant Timbers OD



Mossy Oak OD

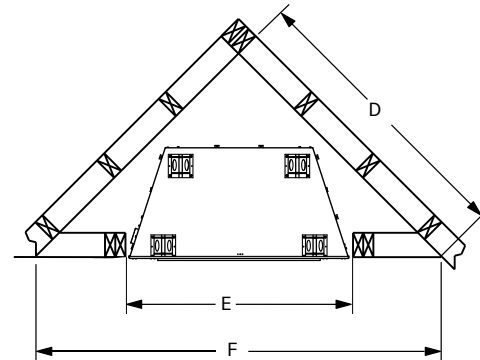
## APPLIANCE SPECIFICATIONS

## FRAMING SPECIFICATIONS



	VRE4536	VRE4542	VRE4550
A	54-5/8"	54-5/8"	54-5/8"
B	45-3/8"	51-3/8"	59-3/8"
C	28-1/4"	30-1/8"	30-1/8"

## CORNER FRAMING SPECIFICATIONS



	VRE4536	VRE4542	VRE4550
D	61"	65"	71"
E	45-3/8"	51-3/8"	59-3/8"
F	86-1/2"	92"	100"

	VRE4536	VRE4542	VRE4550
G	29"	30-5/16"	38-5/16"
H	45-1/8"	51-1/8"	59-1/8"
I	30"	30"	30"
J	36"	42"	50"
K	49"	49"	49"
L	28"	30"	30"
M	54-1/2"	54-1/2"	54-1/2"
N	3-5/16"	3-5/16"	3-5/16"
O	9-7/16"	9-7/16"	9-7/16"
P	7-3/8"	8-3/4"	8-3/4"
Q	11-1/8"	13"	13"

## INTERIOR FIREBOX DIMENSIONS\*

	VRE4536	VRE4542	VRE4550
FRONT WIDTH	36"	42"	50"
REAR WIDTH	22 1/2"	26 3/8"	34 3/8"
DEPTH	19"	21 3/4"	21 3/4"
HEIGHT	30"	30"	30"

\* To assist with compatible log size selection

On the cover: VRE4542 with Stacked Refractory Panels

### IMPORTANT NOTES:

As with any fireplace, this appliance is extremely hot during operation. Read and understand all operating instructions before using this appliance. For further information, consult your dealer.

Local conditions, such as elevation and choice of fuel will affect overall appearance of the fire and heating performance. Performance can also vary with home design and insulation, ceiling height, accessories chosen and appliance location.

Diagrams, illustrations and photographs are not to scale — consult installation instructions. Product designs, materials, dimensions, specifications, colors and prices are subject to change or discontinuance without notice.



© 2023 Innovative Hearth Products

785865M 09/23

Visit us online  
[SuperiorFireplaces.us.com](http://SuperiorFireplaces.us.com)

PFS  
 C US  
 Report #F09-130

