

VRE4500 SERIES

OUTDOOR: VENT-FREE GAS FIREBOXES



STANDARD FEATURES

- Available in 36", 42", and 50" models
- Fully insulated firebox for increased performance in colder climates
- Refractory Panels available in a variety of patterns and colors
- Includes stainless steel mesh fire screens
- Dual (left hand/right hand) outside air kits available for maximum performance
- Stainless steel construction for long lasting outdoor use
- 20 year limited warranty

INTERIOR LINERS (REQUIRED)



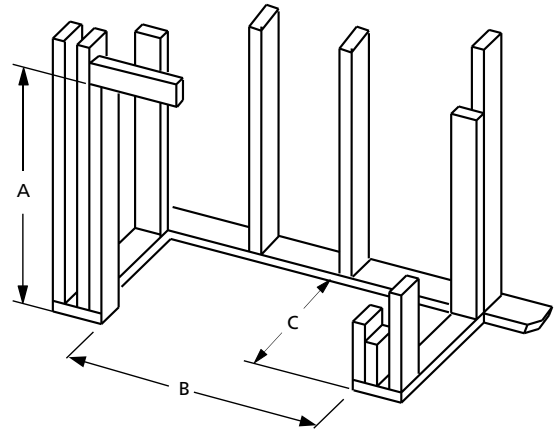
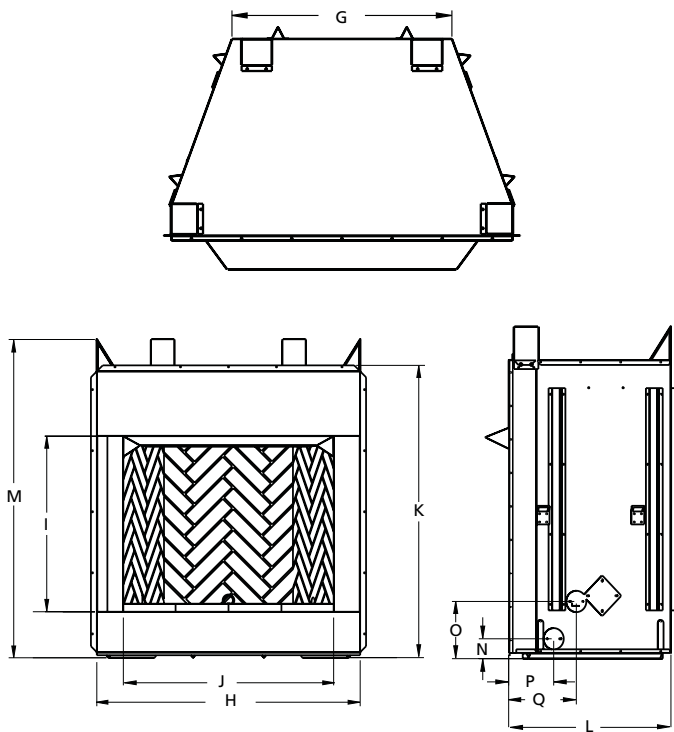
White Stacked



White Herringbone

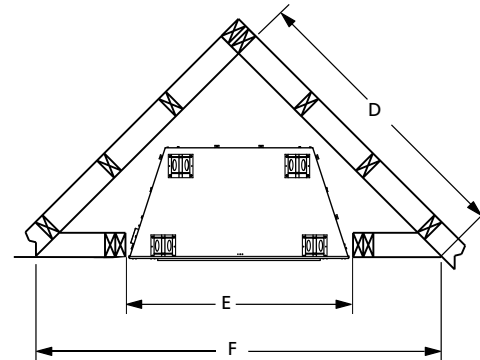
APPLIANCE SPECIFICATIONS

FRAMING SPECIFICATIONS



	VRE4536	VRE4542	VRE4550
A	54-5/8"	54-5/8"	54-5/8"
B	45-3/8"	51-3/8"	59-3/8"
C	28-1/4"	30-1/8"	30-1/8"

CORNER FRAMING SPECIFICATIONS



	VRE4536	VRE4542	VRE4550
D	61"	65"	71"
E	45-3/8"	51-3/8"	59-3/8"
F	86-1/2"	92"	100"

	VRE4536	VRE4542	VRE4550
G	29"	30-5/16"	38-5/16"
H	45-1/8"	51-1/8"	59-1/8"
I	30"	30"	30"
J	36"	42"	50"
K	49"	49"	49"
L	28"	30"	30"
M	54-1/2"	54-1/2"	54-1/2"
N	3-5/16"	3-5/16"	3-5/16"
O	9-7/16"	9-7/16"	9-7/16"
P	7-3/8"	8-3/4"	8-3/4"
Q	11-1/8"	13"	13"

IMPORTANT NOTES:

As with any fireplace, this appliance is extremely hot during operation. Read and understand all operating instructions before using this appliance. For further information, consult your dealer.

Local conditions, such as elevation and choice of fuel will affect overall appearance of the fire and heating performance. Performance can also vary with home design and insulation, ceiling height, accessories chosen and appliance location.

Diagrams, illustrations and photographs are not to scale — consult installation instructions. Product designs, materials, dimensions, specifications, colors and prices are subject to change or discontinuance without notice.

On the cover: VRE4542 with White Stacked Refractory Panels



© 2022 Innovative Hearth Products

785865M 03/22

Visit us online
SuperiorFireplaces.us.com

PFS
 C US
 Report #F09-130

