

# DRI2000 SERIES

DIRECT VENT GAS INSERTS

**Superior**  
FIREPLACES®



## STANDARD FEATURES

- Available in 27" and 32" heat-circulating models
- Approved for use with zero clearance and masonry fireplaces
- Conveniently placed controls allow for easy operation and adjustment of flame height and blower
- Electronic ignition with IPI/CPI switch and battery backup to provide continued operation in the event of a power outage
- Pan burner with up to 28,000 BTUs (32" model) / 25,000 (27" model)
- AFUE heating efficiency up to 78% (27" model) / 70% (32" model)
- Detailed ceramic fiber logs with glowing embers
- Features ceramic glass for optimum heat transfer
- Factory installed variable-speed blower
- Black painted interior
- Optional hand-held remote control or wireless wall-mounted control
- 20-year limited warranty

## FULL FRONT FAÇADES (ONE REQUIRED)



### LARGE

32" H X 43-1/4" W (32" Model)  
30" H X 41" W (27" Model)



### MEDIUM

25" H X 41" W (32" Model)  
26" H X 37" W (27" Model)

## REMOTE



Wireless  
Wall-  
Mounted  
Control

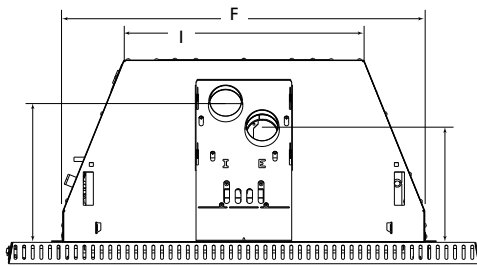


Optional  
Hand-  
Held  
Remote

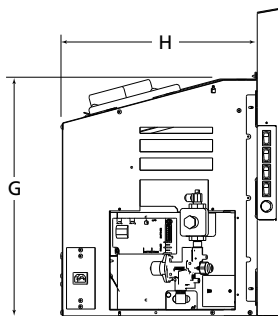
[superiorfireplaces.us.com](http://superiorfireplaces.us.com)

## APPLIANCE SPECIFICATIONS

Top View



Side View



		DRI2027	DRI2032
F	Front Width	26-5/8"	31-5/8"
G	Overall Unit Height to Top of 3" Flue Collar	17-7/8"	19-3/8"
H	Unit Depth	14-7/8"	15-7/8"
I	Back Width	16-3/4"	21"

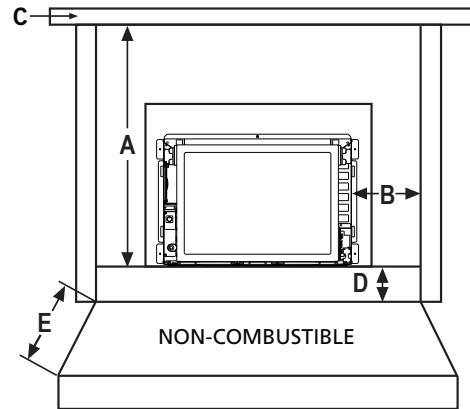
### IMPORTANT NOTES:

As with any fireplace, this appliance is extremely hot during operation. Read and understand all operating instructions before using this appliance. For further information, consult your dealer.

Local conditions, such as elevation, wind, vent configuration and choice of fuel will affect overall appearance of the fire and heating performance. Performance can also vary with home design and insulation, climate, condition and type of fuel used, appliance location, burn rate, accessories chosen, chimney installation and how the appliance is operated.

Diagrams, illustrations and photographs are not to scale—consult installation instructions. Product designs, materials, dimensions, specifications, colors and prices are subject to change or discontinuance without notice.

## FRAMING SPECIFICATIONS



### DRI2000 Series

A	32"	MANTEL
B	4"	SIDE WALL
C	10"	MANTEL DEPTH
D*	0" 4"	VERTICAL DISTANCE FROM BASE OF APPLIANCE TO HEARTH EXTENSION
E*	10" 0"	MINIMUM HORIZONTAL DISTANCE FROM FRONT OF APPLIANCE

\* If the base of the appliance is 0" above the room floor 10" min. hearth extension is required. If the base of the appliance is 4" above the room floor, 0" hearth extension is required.

### MINIMUM FIREPLACE OPENING

	DRI2027	DRI2032
FRONT WIDTH	27"	32"
REAR WIDTH	17"	22"
HEIGHT	18"	19-1/2"
DEPTH	15"	16"

### INSERT SPECIFICATIONS

		DRI2027	DRI2032
Heating Capacity*		450-1,625	500-1,800
Insert Weight		87.5 lb	96 lb
BTU Input	NG LP	14,000 - 25,000 16,200 - 22,500	16,000 - 28,000 14,000 - 25,000
AFUE		78% NG 75% LP	70% NG 67% LP
Energuide (P4)		73% NG 73% LP	57% NG 61% LP
Blower		140-CFM Variable-Speed Blower (standard)	
Vent Pipe		Colinear 3" Flex Vent (sold separately)	

\*Square-foot heating capacities are approximations only. Actual performance may vary depending upon home design and insulation, ceiling heights, climate, appliance location, accessories chosen, chimney installation and how the appliance is operated.



© 2022 Innovative Hearth Products

785870M 03/22

Visit us online  
SuperiorFireplaces.us.com

