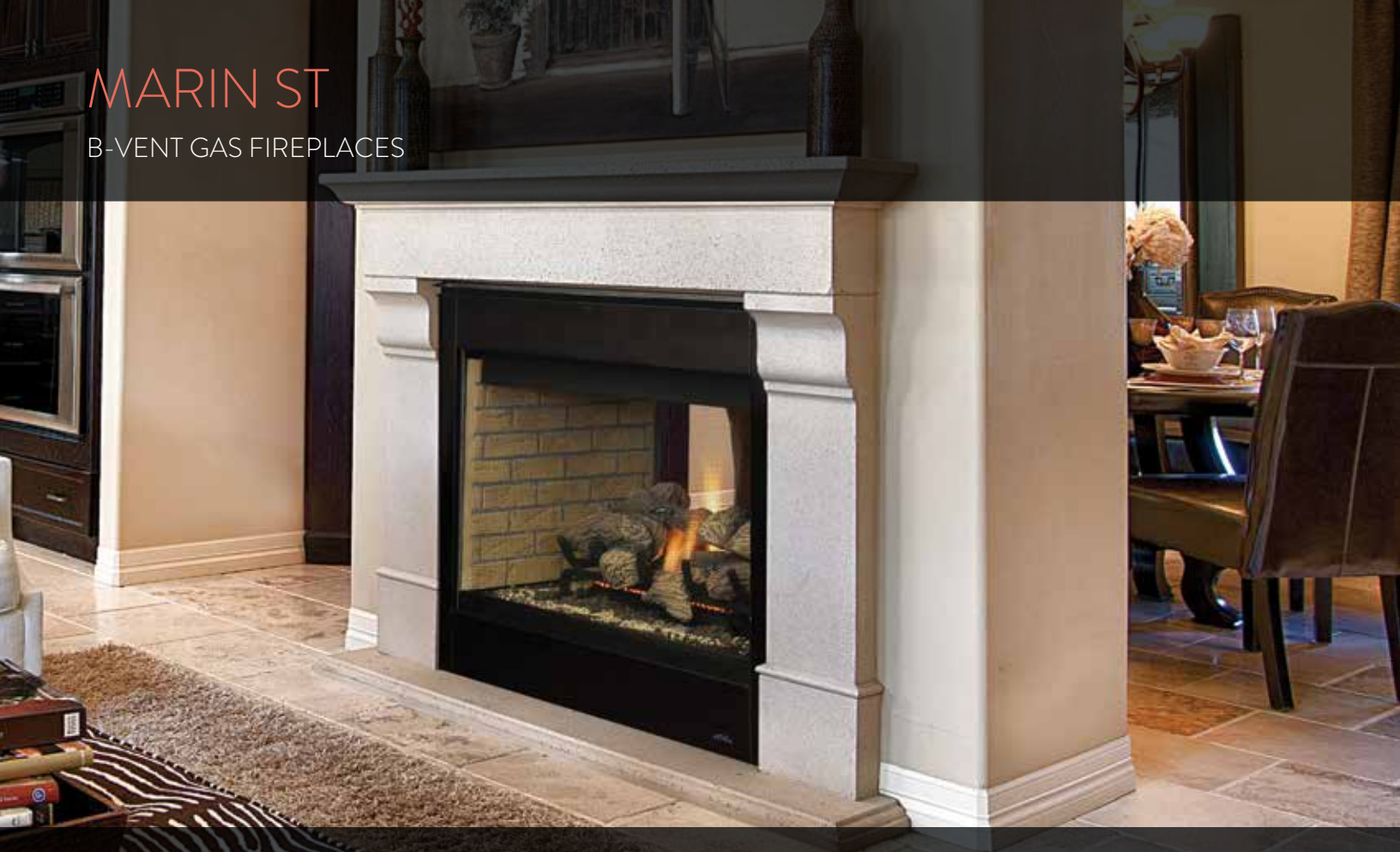


# MARIN ST

B-VENT GAS FIREPLACES



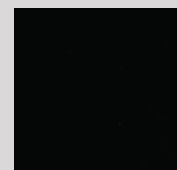
The Marin 40ST gas B-vent fireplace offers a see-through configuration that serves as a primary focal point for multiple rooms. With an exceptional glass viewing area and the intense flame presentation of a powerful pan burner, the Marin 40ST creates a beautiful, natural-looking fire that enhances the comfort and elegance of several rooms.

## STANDARD FEATURES

- ◆ Available in a 40" see-through model
- ◆ Top flue 6" B-vent configuration
- ◆ Millivolt ignition provides continued operation in the event of a power outage
- ◆ Standard tempered glass and a protective screen\*
- ◆ Beautifully crafted ceramic fiber "oak" log set with heavy-duty grate
- ◆ Clean faced heat-circulating design
- ◆ Black painted interior (optional ceramic fiber liner available)
- ◆ Durable textured powder coat finish
- ◆ Optional outside air kit for increased performance
- ◆ Optional hand-held remote control available
- ◆ Limited Lifetime Warranty

\*All applicable models comply with ANSI Z21.50/88 barrier requirements.

## LINER



*Black Painted Interior  
(standard)*

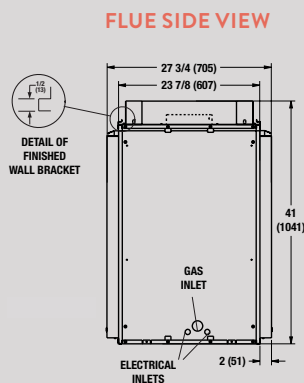
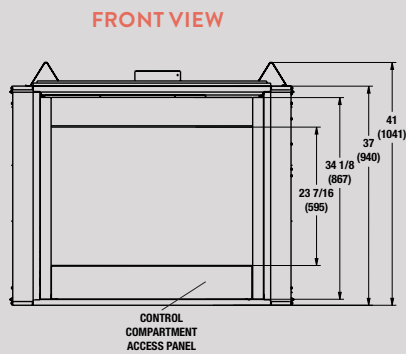
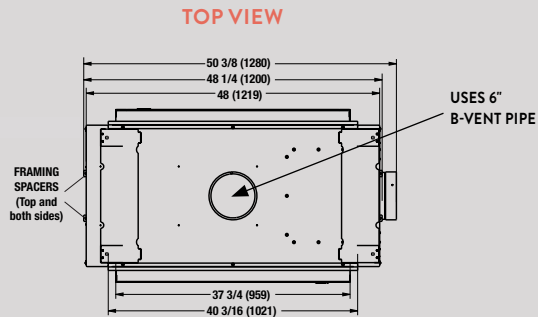


*Buff Stacked*

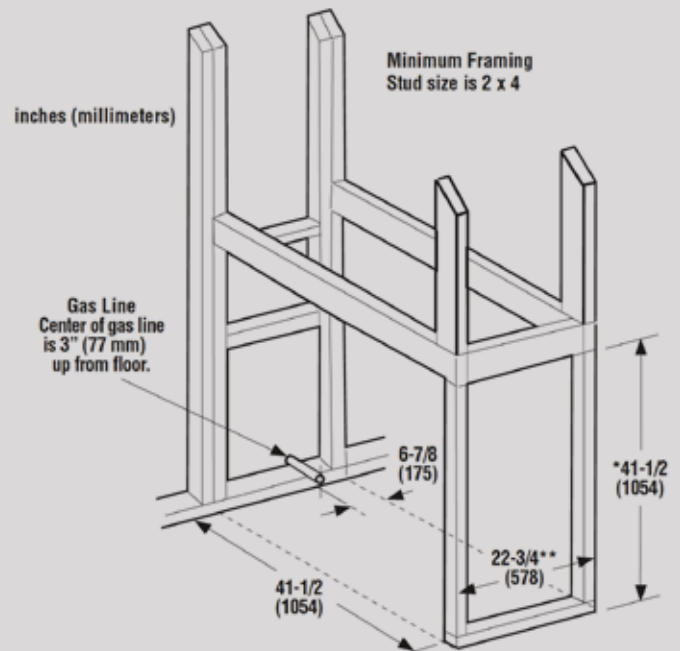


*Optional Touch Remote*

## APPLIANCE SPECIFICATIONS



## FRAMING SPECIFICATIONS



### MARIN FIREPLACE EFFICIENCIES – Listed to ANSI Z21.88 as a gas fireplace heater

MODEL	FUEL	BTU/HR
MARIN 40STTMN	NG	30,000-37,500
MARIN 40STTMP	LP	27,000-34,000

### OPTIONAL ACCESSORIES

#### ♦ HAND-HELD REMOTE

#### IMPORTANT NOTES:

As with any fireplace, this appliance is extremely hot during operation. Read and understand all operating instructions before using this appliance. For further information, consult your dealer.

Local conditions, such as elevation, wind, vent configuration and choice of fuel will affect overall appearance of the fire and heating performance. Performance can also vary with home design and insulation, climate, condition and type of fuel used, appliance location, burn rate, accessories chosen, chimney installation and how the appliance is operated.

Diagrams, illustrations and photographs are not to scale—consult installation instructions. Product designs, materials, dimensions, specifications, colors and prices are subject to change or discontinuance without notice.

astria  
FIREPLACES®

© 2022 Innovative Hearth Products  
785885M 08/22

Visit us online  
Astria.us.com

PFS  
C US  
Report #F14-172

