

OMEGA DLX 48

VENT-FREE FIREPLACES



Report No. F22-809

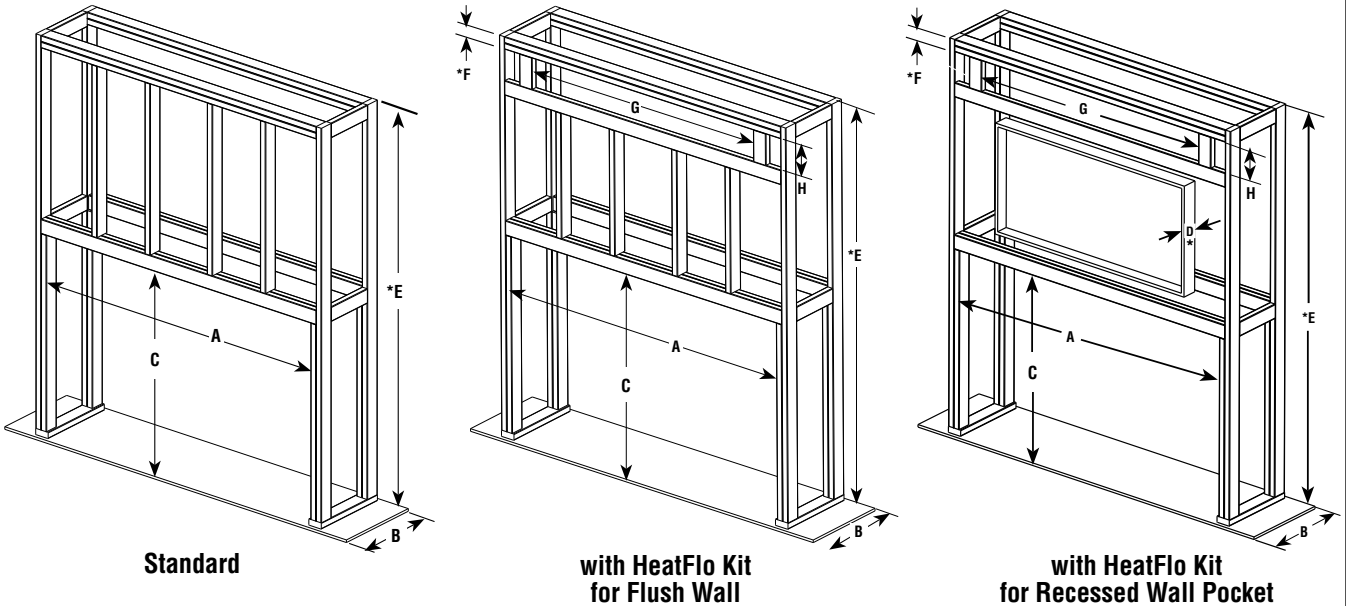
Listed by PFS TECO to - ANSI ANSI Z21.11.2
as unvented Gas-fired room heaters.

Listing

Product Info

Cat. No.	Model	Weight	Cu. Ft.	Input Rate (Btu/Hr)		
					Natural Gas	Propane
F4860	OmegaDLX48ZEN	280 lbs (127 kg)	35.25	High	35,000	---
				Low	28,000	---
F4861	OmegaDLX48ZEP	280 lbs (127 kg)	35.25	High	---	34,000
				Low	---	27,000

Framing Dimensions



⚠ IMPORTANT NOTE *(Refer to Installation and Operation Manual)*

HeatFlo Kits allow for a recessed wall pocket above the fireplace. Follow instructions for *Fireplace Framing Dimensions for Recessed Wall Pocket*.

Framing Dimensions - Inches (millimeters)									
		A	B	C	D*	E*	F*	G	H
Omega DLX 48	One Sided Framing	55-5/8 (1413)	19-1/2 (496)	39-1/8 (994)	3-1/2 (89)	84 (2134)	3-1/2 (89)	53-1/2 (1359)	5-1/8 (130)
	See-Thru Framing	55-5/8 (1413)	18-1/2 (470)	39-1/8 (994)	3-1/2 (89)	84 (2134)	3-1/2 (89)	53-1/2 (1359)	5-1/8 (130)

• **Optional See-Thru Kit required for See-Thru installation**
 *D. Maximum allowable depth
 *F. Minimum distance from framed opening to ceiling
 *E. Minimum height from appliance base to ceiling

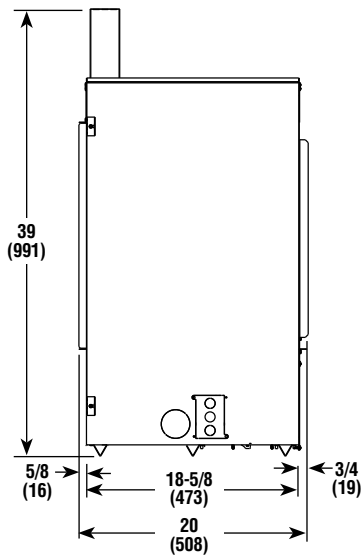
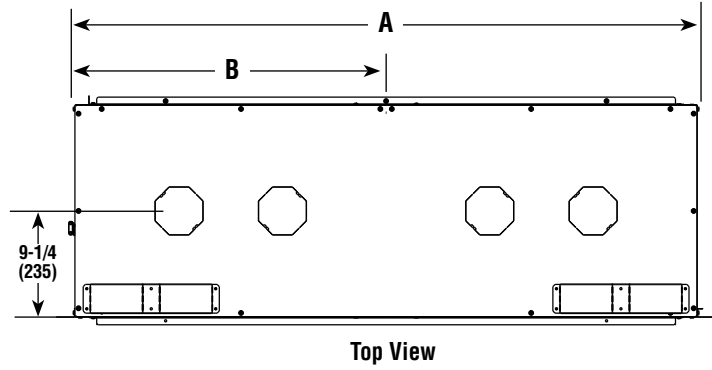
NOTE: DIAGRAMS & ILLUSTRATIONS ARE NOT TO SCALE.

TVs should not be used in situations where the actual TV temperature exceeds the manufacturer's technical specification. Contact the TV manufacturer directly if you cannot locate this information or have questions regarding this information.

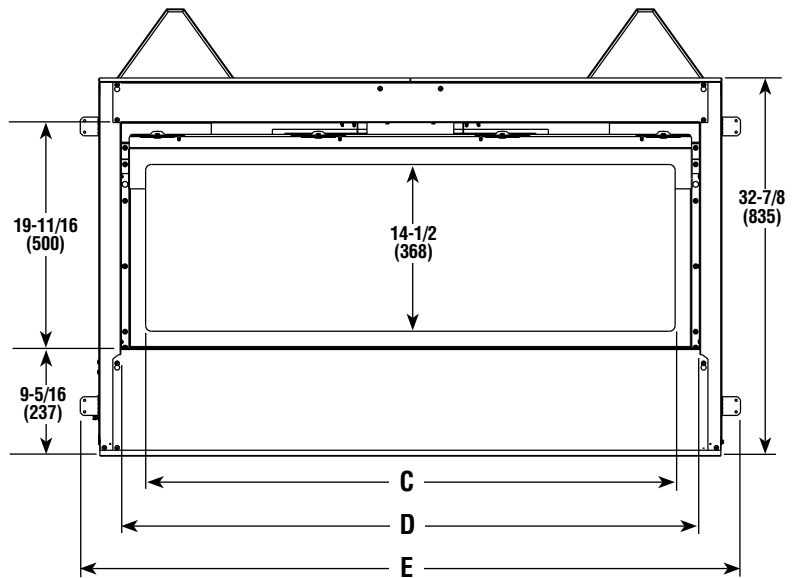
OMEGA DLX 48

Fireplace Dimensions

Fireplace Dimensions					
Model	A	B	C	D	E
Omega DLX 48	54-1/4 (1378)	27-1/8 (689)	46 (1168)	50-3/8 (1280)	57-7/16 (1459)



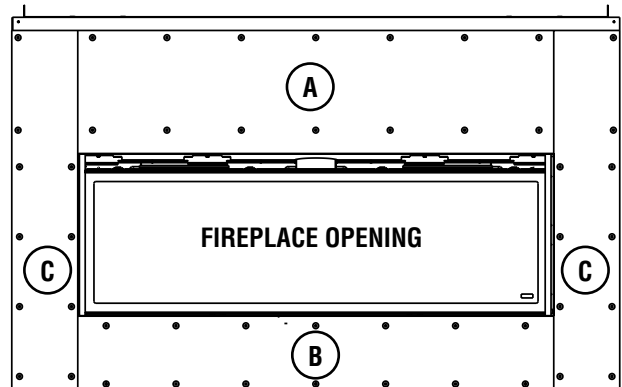
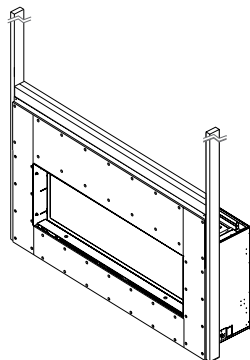
Side View



Front View

Concrete Fireboard Installed

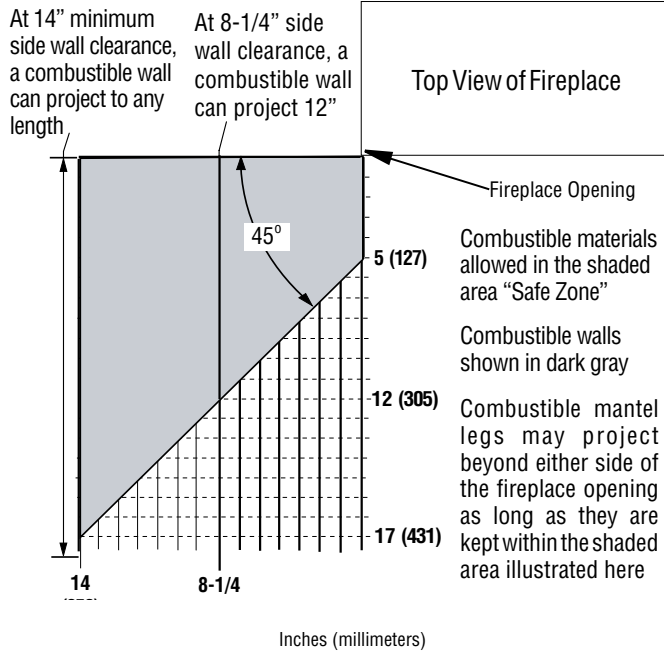
Non-Combustible Fireboard		
		Description
Omega DLX 48	A	Fireboard, Top (1/2" x 50-3/8" x 10-3/4")
	B	Fireboard, Bottom (1/2" x 50-3/8" x 9")
	C	Fireboard, Side (1/2" x 40-5/8 x 4-3/8)



NOTE: Use 1" Self Drill Bugle Drywall Screws to Install Non-Combustible Fireboard (Supplied).

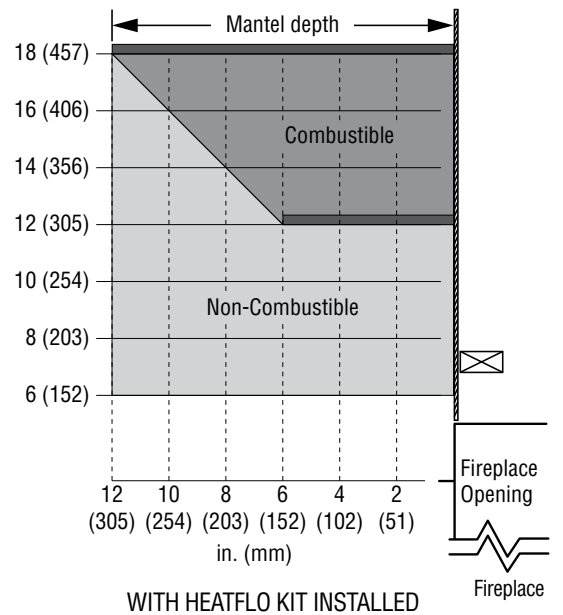
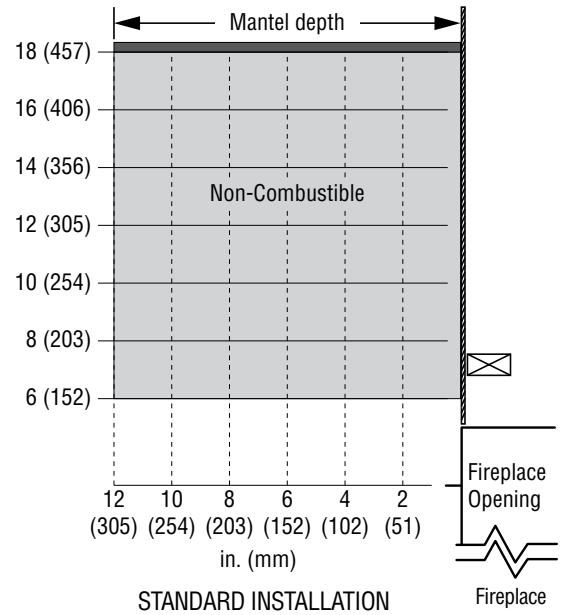
OMEGA DLX 48

Side Wall Clearance



Clearances

Combustible Mantel Clearances



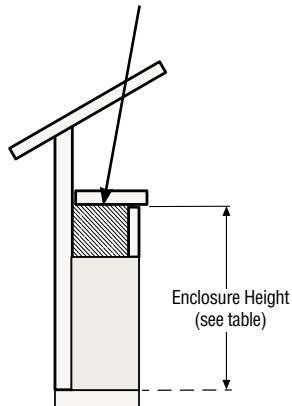
Enclosure Height

Model	Enclosure Height
OMEGA DLX 48	60"

CLEARANCES TO COMBUSTIBLES MUST BE MAINTAINED:

No combustible materials or insulation is permitted in the shaded area between the appliance and the shelf above it.

⚠ WARNING: CRITICAL INSTALLATION INFORMATION THAT IF NOT FOLLOWED CAN RESULT IN A SAFETY HAZARD!



Specifications and clearances are subject to change without notice. Refer to Installation Manual before installation of these appliances for updated dimensions and instructions.

NOTE: DIAGRAMS & ILLUSTRATIONS ARE NOT TO SCALE.