

DRL4048 & DRL6048

DIRECT-VENT FIREPLACES



Report No. F22-797

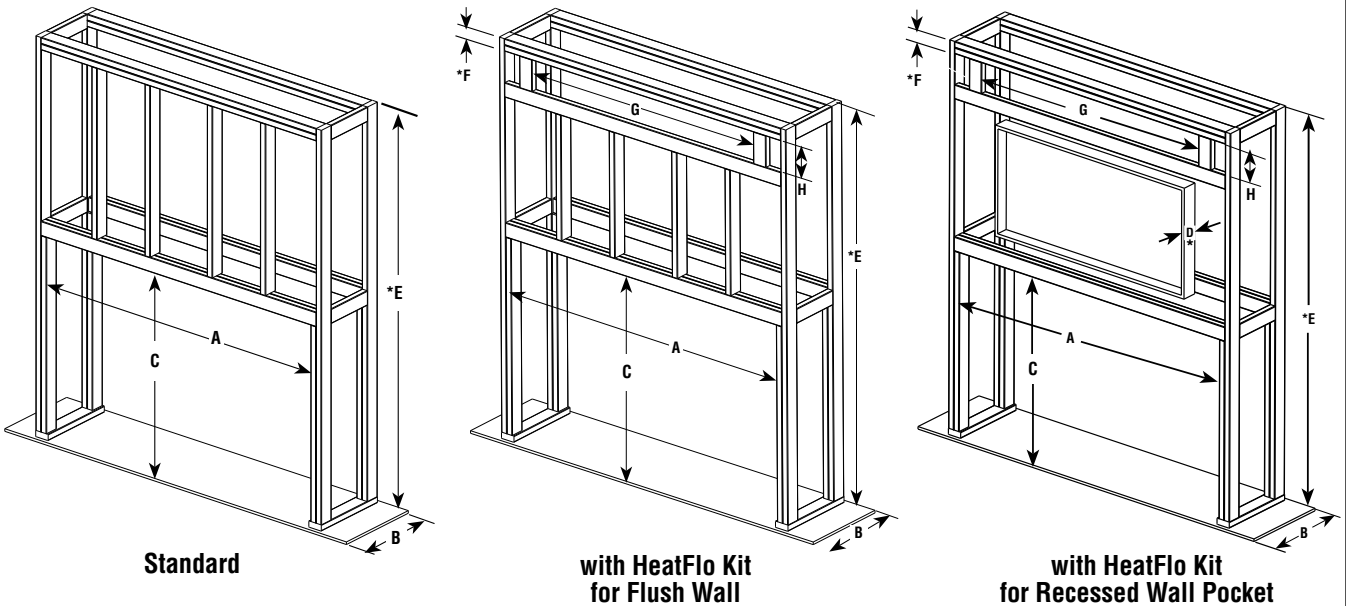
Listed by PFS TECO to ANSI Z21.88/CSA-2.33, and CSA 2.17 in both USA and Canada, as vented gas fireplace heaters.

Listing

Product Info

Cat. No.	Model	Weight	Cu. Ft.	Input Rate (Btu/Hr)		
					Natural Gas	Propane (Field Converted)
F4846	DRL4048	283 lbs (128 kg)	35.25	High	35,000	31,000
				Low	23,500	25,500
F4847	DRL6048	293 lbs (133 kg)	35.25	High	35,000	31,000
				Low	23,500	25,500

Framing Dimensions



⚠ IMPORTANT NOTE

(Refer to Installation and Operation Manual)

HeatFlo Kits allow for a recessed wall pocket above the fireplace. Follow instructions for *Fireplace Framing Dimensions for Recessed Wall Pocket*.

Framing Dimensions - Inches (millimeters)									
		A	B	C	D*	E*	F*	G	H
48" Models	One Sided Framing	55-5/8 (1413)	19-1/2 (496)	39-1/8 (994)	3-1/2 (89)	84 (2134)	1-1/2 (38)	53-1/2 (1359)	5-1/8 (130)
	See-Thru Framing	55-5/8 (1413)	18-1/2 (470)	39-1/8 (994)	3-1/2 (89)	84 (2134)	1-1/2 (38)	53-1/2 (1359)	5-1/8 (130)

• Optional See-Thru Kit required for See-Thru installation

*D Maximum allowable depth
*E. Minimum height from appliance base to ceiling
*F. Minimum distance from framed opening to ceiling

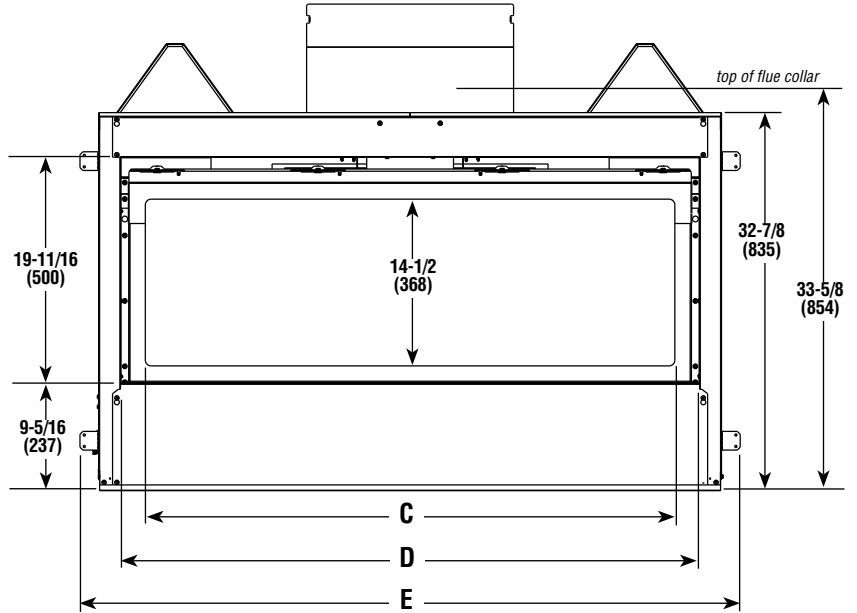
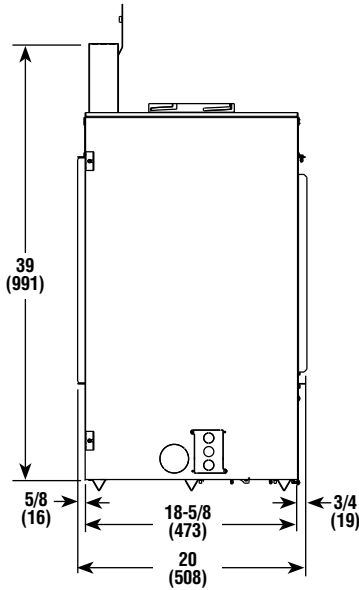
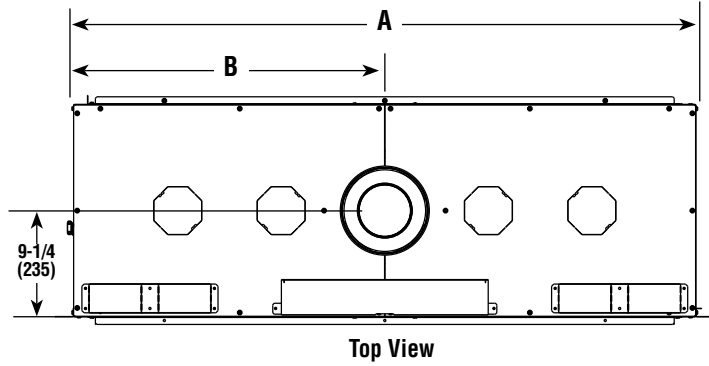
NOTE: DIAGRAMS & ILLUSTRATIONS ARE NOT TO SCALE.

TVs should not be used in situations where the actual TV temperature exceeds the manufacturer's technical specification. Contact the TV manufacturer directly if you cannot locate this information or have questions regarding this information.

DRL4048 & DRL6048

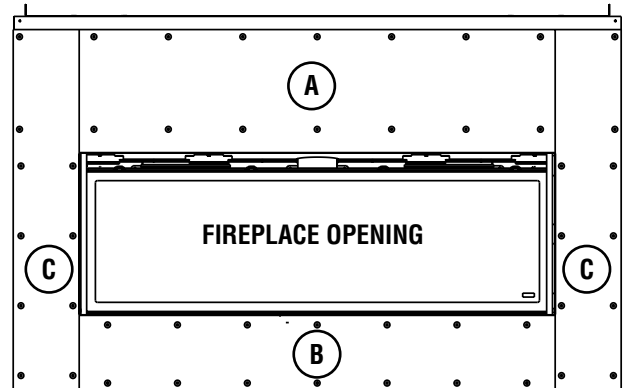
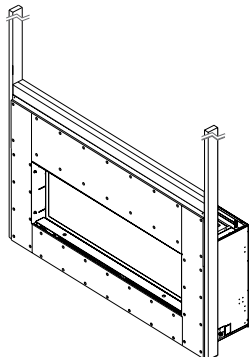
Fireplace Dimensions

Fireplace Dimensions					
Model	A	B	C	D	E
48"	54-1/4 (1378)	27-1/8 (689)	46 (1168)	50-3/8 (1280)	57-7/16 (1459)



Concrete Fireboard Installed

Non-Combustible Fireboard		
		Description
48" Models	A	Fireboard, Top (1/2" x 50-3/8" x 10-3/4")
	B	Fireboard, Bottom (1/2" x 50-3/8" x 9")
	C	Fireboard, Side (1/2" x 40-5/8" x 4-3/8")

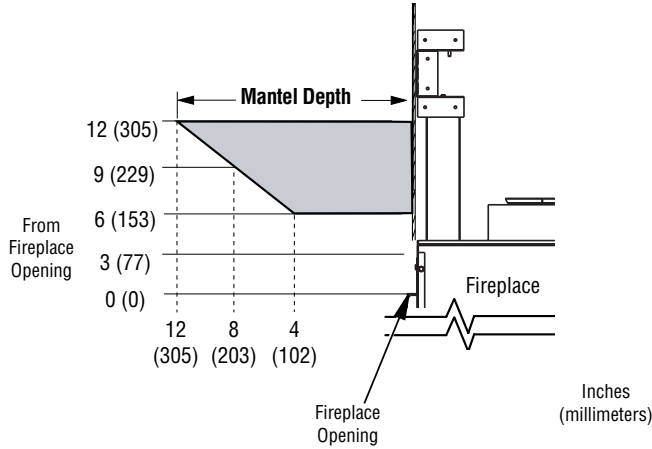


NOTE: Use 1" Self Drill Bugle Drywall Screws to Install Non-Combustible Fireboard (Supplied).

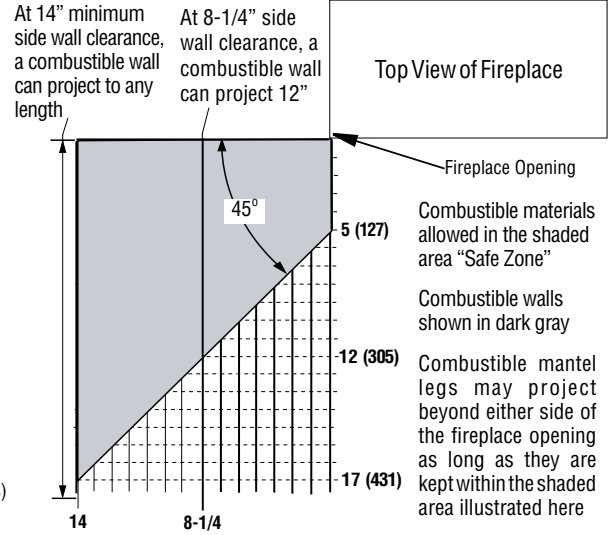
DRL4048 & DRL6048

Clearances

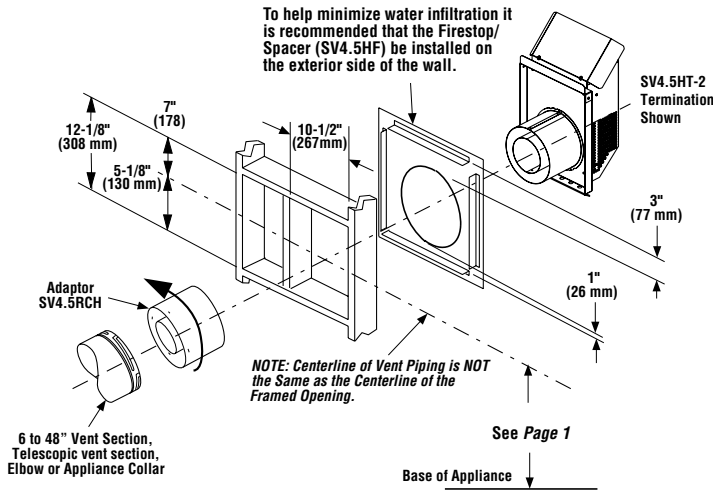
Combustible Mantel Clearances



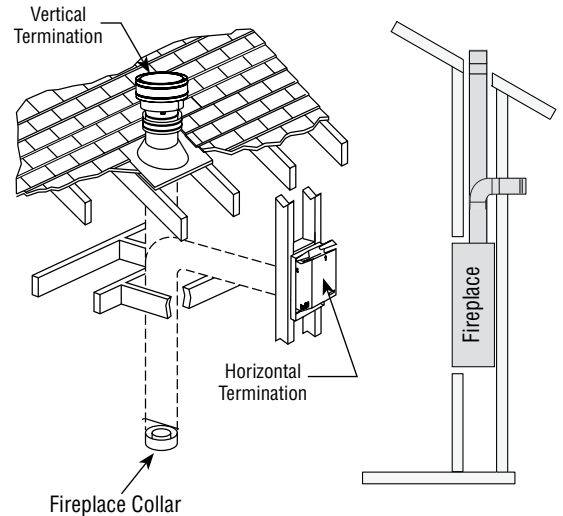
Side Wall Clearance



Horizontal Termination



Typical Installations



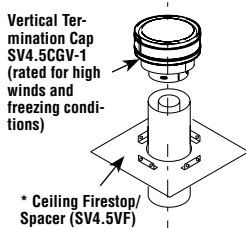
NOTE: Framing details not shown. This illustrates typical locations only.

Specifications and clearances are subject to change without notice. Refer to Installation Manual before installation of these appliances for updated dimensions and instructions.

NOTE: DIAGRAMS & ILLUSTRATIONS ARE NOT TO SCALE.

Venting

Vertical Termination



Roof Framing

