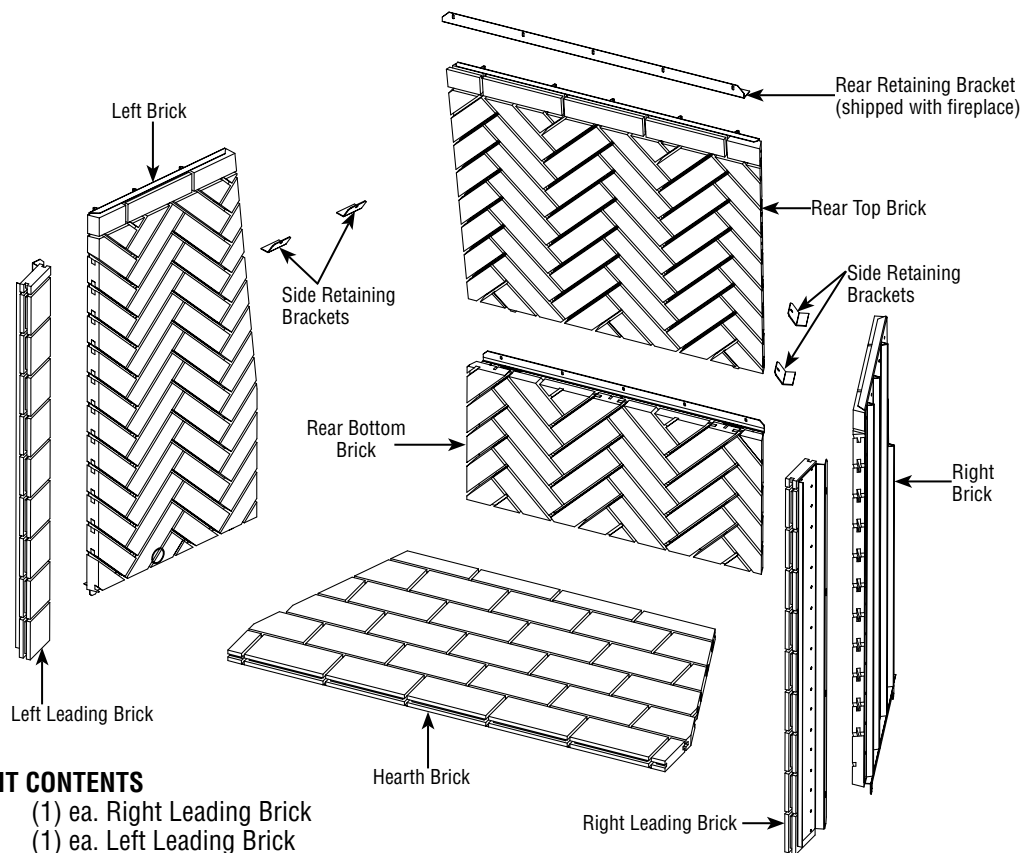


**REFRACTORY KIT INSTALLATION  
INSTRUCTIONS**

For more information, visit [IHP.us.com](http://IHP.us.com)

CATALOG NO.	DESCRIPTION	FOR USE WITH MODELS
F4253	Masonry 48" Warm Red Split Herringbone	<b>CITADEL48 WRT8048</b>
F4254	Masonry 48" Ivory Split Herringbone	
F4545	Masonry 48" Slate Grey Split Herringbone	
F4546	Masonry 48" Midnight Split Herringbone	



**KIT CONTENTS**

- (1) ea. Right Leading Brick
- (1) ea. Left Leading Brick
- (1) ea. Hearth Brick
- (1) ea. Rear Top Brick
- (1) ea. Right Brick
- (1) ea. Left Brick
- (1) ea. Rear Bottom Brick
- (1) ea. Grout Touchup Kit
- (2) ea. Grate Retainers
- (2) ea. 3/16" x 1-1/4" Masonry Screws
- (2) ea. Cotter Pins
- (2) ea. Push on Nuts
- (4) ea. Side Retaining Brackets
- (1) ea. Rear Retaining Bracket
- (22) ea. 10-16 x 1/2" Type AB L/S BLK Screw
- (1) ea. Installation Instructions



**IMPORTANT:** Installation of brick panels should be done after the fireplace is placed in a permanent location.

**WARNING:** Contact an IHP dealer to obtain any of these parts. Never use substitute materials not approved by IHP. Use of non-approved parts can result in poor performance and safety hazards.

**TOOLS NEEDED**

- |                               |                            |
|-------------------------------|----------------------------|
| Tape Measure                  | No. 2 Phillips Screwdriver |
| Marking Pen                   | 5/16" Nut Driver           |
| Drill                         | 1/8" Masonry Drill Bit     |
| Pliers                        | Joint Striking Tool        |
| Large Flat Bladed Screwdriver | Brush                      |

**GENERAL INFORMATION**

Read this instruction sheet in its entirety before beginning the installation.

These instructions must be left with the appliance.

All warnings, precautions, and instructions in the Installation Instructions provided with the appliance also apply to these instructions.

If you encounter any problems, need clarification of these instructions, or are not qualified to properly install this kit, contact your local distributor or dealer.

**Refractory panels may be heavy for some individuals. If this is the case, please request help from someone else.**

**UNPACKING NEW REFRACTORY KIT**

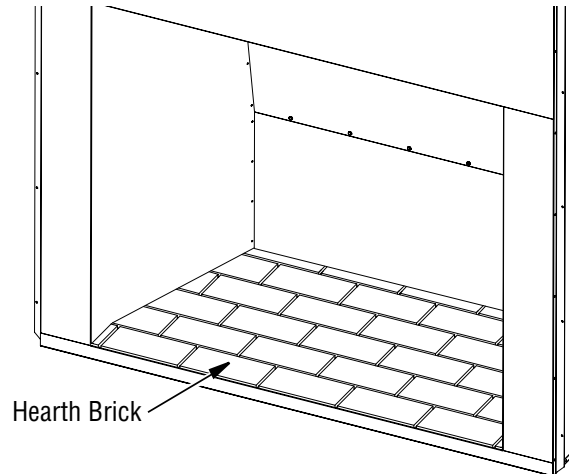
1. Remove the screws holding the lid on the crate using a Phillips screwdriver or bit. Remove the cartoned grout, bracket kit, and panels.
2. Arrange panels on top of packing and identify each piece in order of assembly.
3. Check all items for any shipping damage. If damaged, contact your authorized dealer of this product. Be sure to have your kit model number when you contact your dealer.

**FIREBRICK WALL INSTALLATION**

**IMPORTANT:** Installation of brick should be done after the fireplace is placed in a permanent location.

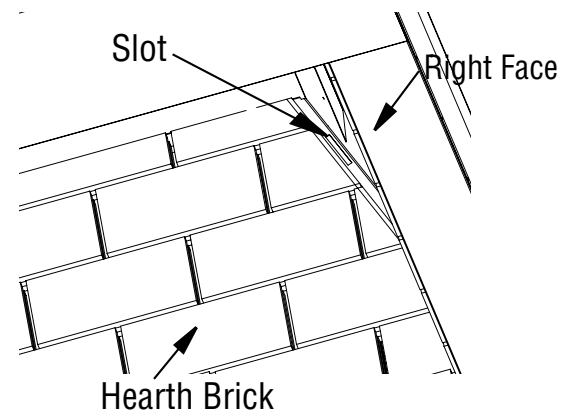
**Before installation, remove the following from fireplace.** Cut the tie strap to remove plastic bag holding fasteners and instructions. Remove screens and set grate aside.

1. Install hearth brick panel. Using at least two people, hold hearth brick panel by its side edges. Place the back edge of hearth brick panel into the firebox first and carefully lower the front edge of panel. Make sure hearth brick panel is centered in the firebox and flush with the front of the fireplace. Be careful not to pinch your fingers between the hearth brick panel and firebox (*Figure 1*).

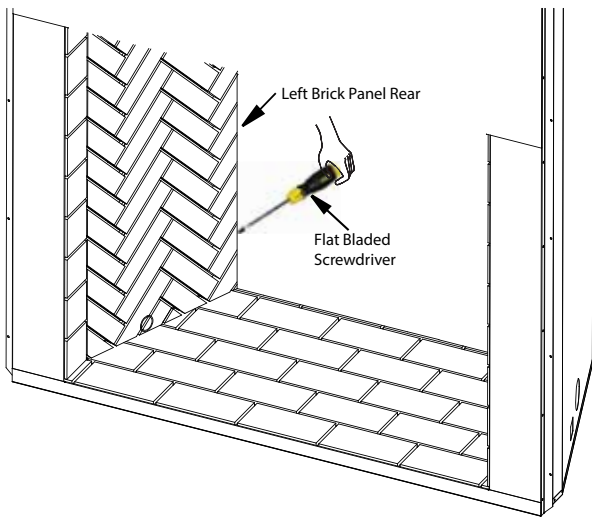


**Figure 1 - Installing Hearth Brick Panel**

2. Place a piece of cardboard on the hearth brick panel before installing the remaining panels. This will help protect the hearth and also ensure a clean appearance by eliminating noticeable footprints, etc.
3. Install the left and right leading brick panels. Fit left leading brick panel flush with fireplace front. Then, slide left leading panel back against fireplace and secure using the 4 provided fasteners. Repeat steps to install the right leading brick panel.
4. Install the left and right brick panels. Place left brick panel inside the fireplace (there is a bracket with 2 tabs on the bottom of each brick panel). Angle the panel and position it so the tabs are lined up with the slots in the bottom of the fireplace. Once they are lined up, lift the left brick panel into position (*Figure 2*). Next, take a large flat bladed screwdriver and adjust so there is a good tight joint between the left brick panel and left leading brick panel (*Figure 2A*). **NOTE: Large bladed screwdriver is to be used only on the rear side of the panel. The use of excessive force when adjusting joints can cause panels to chip.** Repeat steps to install the right brick panel.

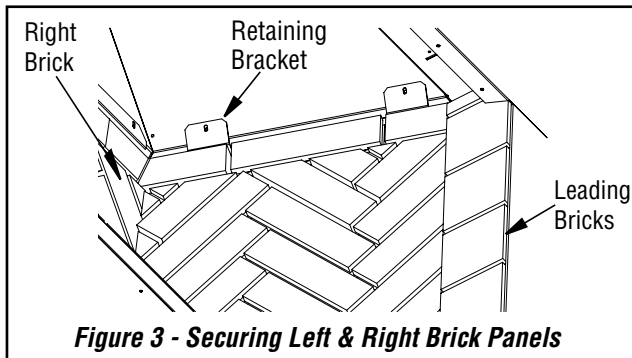


**Figure 2 - Slots for Brick Panels**



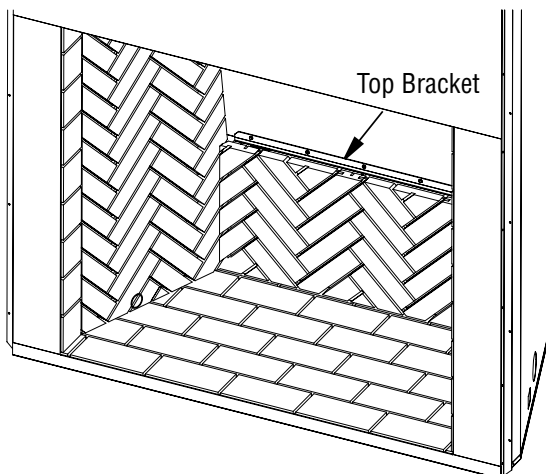
**Figure 2A- Tight Joint Adjustment**

- Secure both the left and right brick panels using two (per side) of the side retaining brackets provided. Align bracket with holes located on the inner dome of the fireplace. The bracket will slip underneath the metal lip on the top of the panel and screw into the inner dome of the fireplace (**Figure 3**).



**Figure 3 - Securing Left & Right Brick Panels**

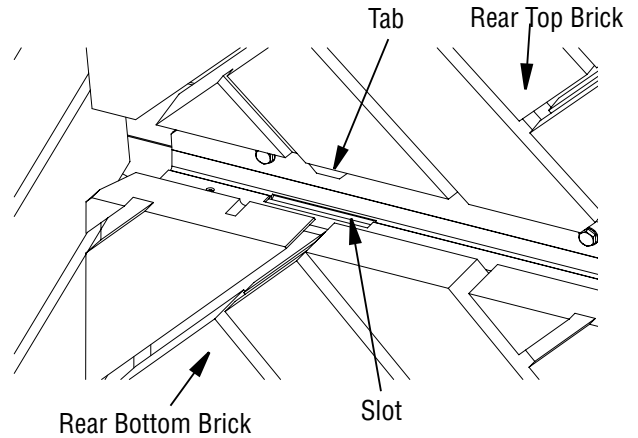
- Install the rear bottom brick panel. Place the panel face side down on the hearth with the bottom of the panel toward the rear of the firebox and the top toward the front of the fireplace. Tilt the panel up toward the back of the firebox. Secure bracket at top of the brick panel to the rear firebox surround (**Figure 4**).



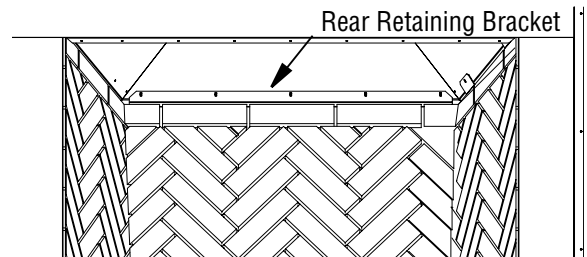
**Figure 4 - Installing Rear Bottom Brick Panel**

**NOTE:** Once the rear bottom brick panel is installed, all panels are fixed. Before proceeding to #7, take a large flat bladed screwdriver and adjust to ensure a good tight joint between all panels. **The use of excessive force when adjusting joints can cause panels to chip.**

- Install the rear top brick panel. Lift the panel up with the front of the brick panel facing toward the front of the fireplace. The bottom of the panel has two tabs that slide into the bracket on the top of the rear bottom brick panel (**Figure 5**). Secure the top of the rear top brick panel with the rear retaining bracket (shipped with fireplace). The bracket will slip underneath the metal lip on the top of the brick panel and screw into the inner dome of the fireplace (**Figure 6**).

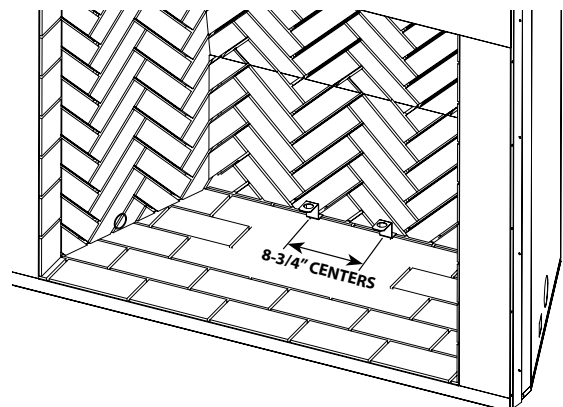


**Figure 5 - Installing Rear Top Brick Panel**



**Figure 6 - Installing Rear Retaining Bracket**

- Install the (2) provided grate retainers that hold the grate in place on the hearth brick panel (**Figure 7**). The back of the retainer will be flush with the rear firebox wall. Mark the hole locations with a marker. Next, take a 1/8" masonry drill bit and drill pilot holes in the marked locations. Secure the grate retainer with masonry screws provided.



**Figure 7 - Installing (2) Grate Retainers**

9. Grouting the fireplace is recommended so that the joints between all firebrick walls have a more finished look.

**Material provided:**

Bag of cement  
Bag of sand

**Material required:**

Grout Piping bag  
Joints striker  
Heavy duty mixing bucket  
Sponge or Wet Cloth

**To grout fireplace:**

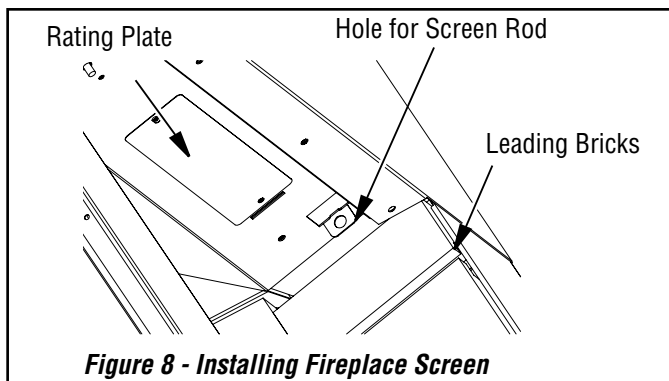
- Begin by moistening brick surface with damp sponge or spray bottle just prior to application. When bricks are wet, any excess grout mixture on bricks will easily wipe off.
- In a heavy duty mixing bucket, add equal parts cement and sand. Add enough water and mix together well using a power drill with mixing wand attachment to a yogurt like consistency. Not adding enough water can lead to grout falling out after burning.
- The overall length of grout piping bag should be about 16". If the bag is longer than 16", cut it down to size by removing end with larger opening. This will make the bag easier to handle
- Put grout mixture into grout piping bag making sure the smaller opening is downward and over a moist towel to avoid spilling. Place a wet towel over the bucket making sure it is directly on the surface of grout mixture. This will keep the mixture moist and it will not dry out before use.
- Grout all joints where two firebrick walls come together.  
**Note:** Do not grout gap at very top of firebrick walls.
- Using a trowel, remove excess grout mixture by moving trowel in the direction of the joint. Grout mixture in the joint should now be flush with brick surface. If not enough grout is applied into each space, grout may fall out after burning.
- Using a joint striker, smooth out grout line. Once all the joints are striked, take a paint brush and clean the joints up creating a nice clean finish inside the fireplace.

**Allow 72 hours before operating fireplace.**

10. To Install Screen:

- Begin by sliding round end of screen rod into rings at top of screen.
- Attach one push-on nut to end of rod before attaching last ring of screen.
- Bend tab on both sides with the hole down to insert the round end screen rod into hole on the left and right side of smoke shelf (**Figure 8**).
- Mount flat end of screen rod with #10 x 5/8" to center of smoke shelf.

Install other screen rod in same manner.



**Figure 8 - Installing Fireplace Screen**

NOTE: DIAGRAMS AND ILLUSTRATIONS ARE NOT TO SCALE.

IHP reserves the right to make changes at any time, without notice, in design, materials, specifications, and prices, and also to discontinue colors, styles, and products. Consult your local distributor for fireplace code information.

Printed in U.S.A. © 2022 Innovative Hearth Products  
P/N 901234-00 REV. A 12/2023



1769 East Lawrence Street • Russellville, AL 35654

NOTE: DIAGRAMS & ILLUSTRATIONS ARE NOT TO SCALE