

VRL6000 ST SERIES

LINEAR VENT FREE FIREPLACES



STANDARD FEATURES

- Available in a 48" linear configured model
- Indoor see-through conversion kit allows viewing from two living spaces
- Indoor/Outdoor see-through conversion kit available to enjoy the fire both inside and out
- HeatFlo kit option allows heat to be directed above heat sensitive wall hangings
- Electronic ignition with battery backup provides continued operation in the event of a power outage
- 99.9% efficient for exceptional heating and lower operating costs
- Six flame settings with up to a 30% turn down for precise heat control
- Clean-face design with integrated tile stops for easy finishing
- Factory installed blower with six speed settings to fine tune your heating needs*
- Black porcelain liner interior for a reflective view of the fire
- Platinum crushed glass media included with several optional colors available
- Mood enhancing floor lighting enhances the fireplace interior with or without a fire
- Multi-function remote included (IPI/CPI, thermostat, flame height, blower, lighting)
- 20 year limited warranty

*Blower use is not compatible with a see-through application.

superiorfireplaces.us.com

LINER



Black Porcelain
Interior
(Standard)



Reflective Black
Glass Liner

MEDIA



Platinum
Crushed Glass
(Standard)



Refl. Blue
Crushed Glass



Refl. Black
Crushed Glass



Driftwood Rock Kit



River Rock
Assorted Set

TRIM



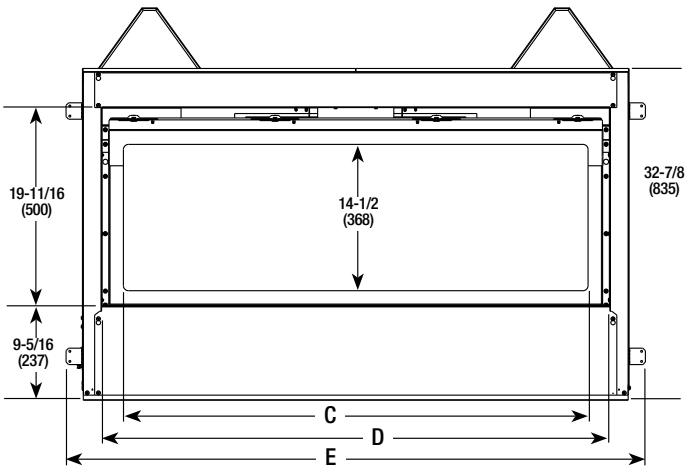
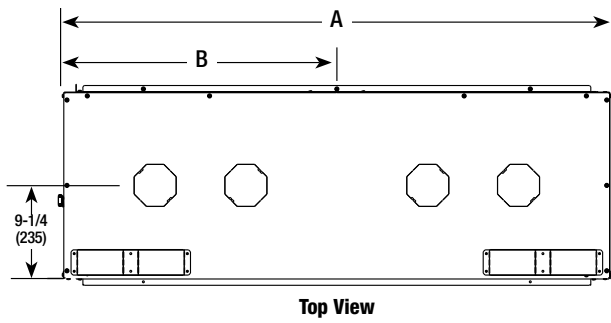
Black Perimeter
Trim Kit

REMOTE



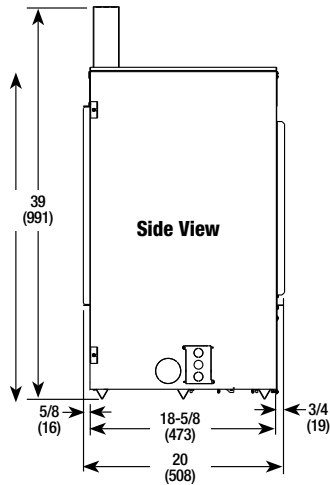
ProFlame II Remote

APPLIANCE SPECIFICATIONS



VRL6048 ST

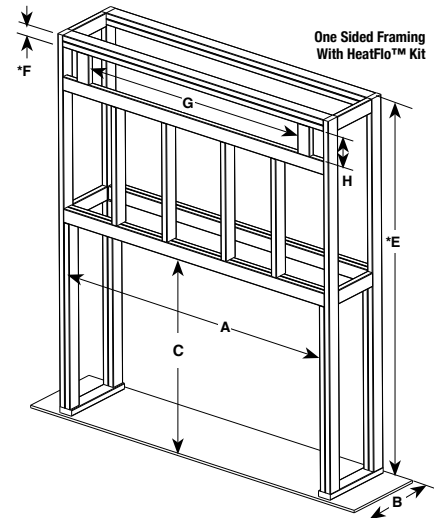
	48" MODEL
A	54-1/4"
B	27-1/8"
C	46"
D	50-3/8"
E	57-7/16"



On the Cover: VRL6048 fireplace with black porcelain interior and platinum crushed glass media



FRAMING SPECIFICATIONS



VRL6048 ST

	48" See-Thru Framing HeatFlo Kit
A	55-5/8"
B	18-1/2"
C	39-1/8"
E*	84"
F*	3-1/2"
G	53-1/2"
H	5-1/8"

E* = Minimum height from appliance base to ceiling
F* = Minimum distance from framed opening to ceiling

Optional See-Thru Kit required for See-Thru installation

Refer to Spec Sheet for complete recessed wall pocket applications and instructions.

FIREPLACE BTU OPERATING RANGE

MODEL	FUEL	BTU/HR	AFUE
VRL 6048 ST	NG	35,000-28,000	99.9%
VRL 6048 ST	LP	34,000-27,000	99.9%

IMPORTANT NOTES:

As with any fireplace, this appliance is extremely hot during operation. Read and understand all operating instructions before using this appliance. For further information, consult your dealer.

Local conditions, such as elevation and choice of fuel will affect overall appearance of the fire and heating performance. Performance can also vary with home design and insulation, ceiling height, accessories chosen and appliance location.

Diagrams, illustrations and photographs are not to scale — consult installation instructions. Product designs, materials, dimensions, specifications, colors and prices are subject to change or discontinuance without notice.