

OMEGA DLX

LINEAR VENT-FREE GAS FIREPLACES



OMEGA DLX

*Omega DLX 48 with See-Through Kit,
Painted Black Interior and Platinum Crushed Glass*



The Omega DLX linear vent-free gas fireplace offers a sleek modern appearance that is perfect for both contemporary and transitional spaces. The expansive opening provides an exceptional view of the fire while the floor lighting allows you to enhance the mood. The Omega DLX is a fully featured fireplace that comes complete with a heat circulating blower and multi-function remote for the ultimate in comfort and control.

STANDARD FEATURES

- ◆ Available in a 48" linear configured model
- ◆ Indoor see-through conversion kit available to allow viewing from two living spaces
- ◆ Indoor/Outdoor see-through conversion kit available to enjoy the fire both inside and out
- ◆ HeatFlo kit option allows heat to be directed above heat sensitive wall hangings
- ◆ Electronic ignition with battery backup provides continued operation in the event of a power outage
- ◆ 99.9% efficient for exceptional heating and lower operating costs
- ◆ Three flame settings with up to a 30% turn down for precise heat control
- ◆ Clean-face design with integrated tile stops for easy finishing
- ◆ Factory installed blower with six speed settings to fine tune your heating needs*
- ◆ Black painted interior standard (optional black reflective glass liner available)
- ◆ Platinum crushed glass media included with several optional colors available
- ◆ Mood enhancing multi-colored LED floor lighting enhances the fireplace interior with or without a fire
- ◆ Multi-function touchscreen remote included (IPI/CPI, thermostat, flame height, blower, lighting)
- ◆ Limited Lifetime Warranty

* Blower use is not compatible with a see-through application.

OMEGA DLX Options & Accessories

Interior



Black Painted Interior
(Standard)



Black Reflective Glass Liner
(Optional)

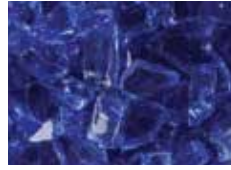
Media



Platinum Crushed Glass
(Standard)



Reflective Black Crushed Glass



Reflective Blue Crushed Glass



Onyx Black Ice Rock



Crystal Ice Rock



Sapphire Ice Rock



Driftwood Rock Kit



River Rock Assorted Set

See-Through Kit



Indoor/Indoor & Indoor/Outdoor See-Through Kits

Trim



Black Perimeter Trim Kit

Multi-Function Remote (Included)



- Manual On/Off and Thermostat Modes
- 6 Flame Modulation Settings
- Full Spectrum LED lights
- 6 Blower Control Settings

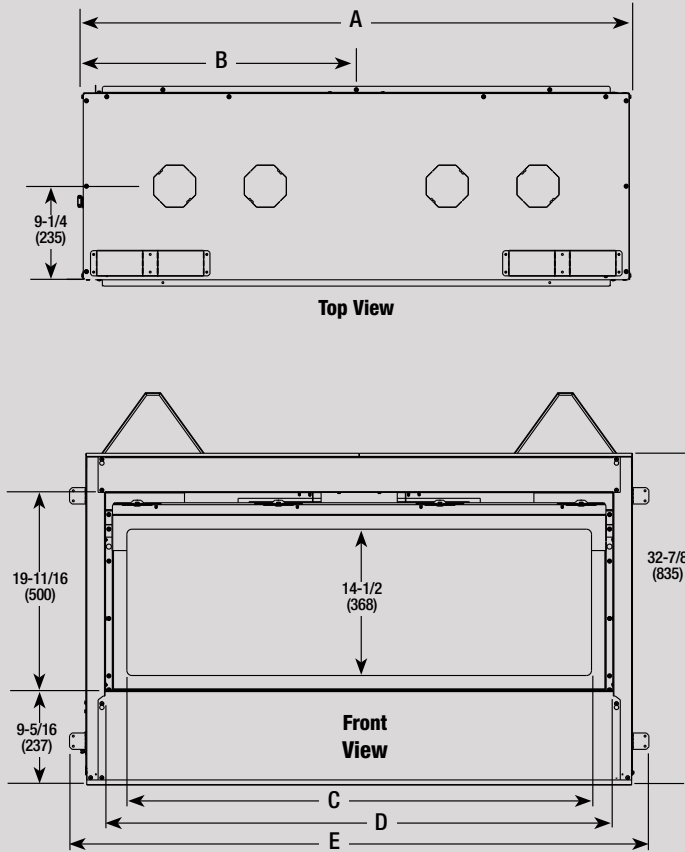
HeatFlo™ Kit

Protect heat sensitive televisions, artwork and other decorative wall materials. No blower required, the HeatFlo™ kit works through natural convection to redirect heat from the fireplace upward through hidden ductwork and out through a sleek horizontal vent. Walls stay cooler and heat flows more evenly through the room for a comfortable fireplace experience.

- TV & Artwork can be placed above the fireplace
- Helps protect heat sensitive wall facing materials
- Improves convective heat circulation in the room
- No electricity or blower required for operation

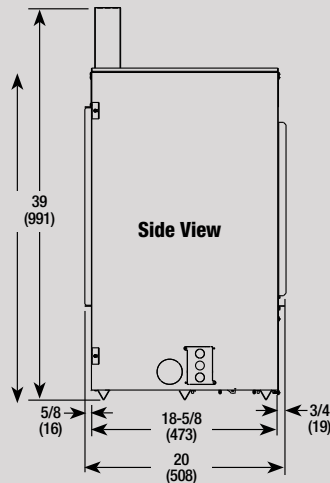


APPLIANCE SPECIFICATIONS



OMEGA DLX

	48" MODEL
A	54-1/4"
B	27-1/8"
C	46"
D	50-3/8"
E	57-7/16"

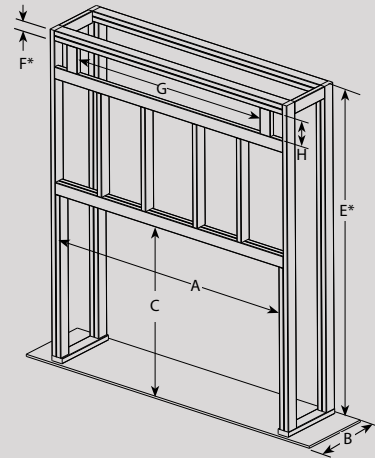


On The Cover: Omega DLX 48 shown with Black Reflective Glass Liner, and Platinum Crushed Glass

astria
FIREPLACES®

FRAMING SPECIFICATIONS

Flush Wall Framing With HeatFlo™ Kit



OMEGA DLX

	48" One Sided Framing HeatFlo Kit	48" See-Thru Framing HeatFlo Kit
A	55-5/8"	55-5/8"
B	19-1/2"	18-1/2"
C	39-1/8"	39-1/8"
E*	84"	84"
F*	3-1/2"	3-1/2"
G	53-1/2"	53-1/2"
H	5-1/8"	5-1/8"

E* = Minimum height from appliance base to ceiling
F* = Minimum distance from framed opening to ceiling

Optional See-Thru Kit required for See-Thru installation

Refer to Spec Sheet for complete recessed wall pocket applications and instructions.

FIREPLACE BTU OPERATING RANGE

MODEL	FUEL	BTU/HR	AFUE
OMEGA DLX 48	NG	35,000-28,000	99.9%
OMEGA DLX 48	LP	34,000-27,000	99.9%

IMPORTANT NOTES:

As with any fireplace, this appliance is extremely hot during operation. Read and understand all operating instructions before using this appliance. For further information, consult your dealer.

Local conditions, such as elevation and choice of fuel will affect overall appearance of the fire and heating performance. Performance can also vary with home design and insulation, ceiling height, accessories chosen and appliance location.

Diagrams, illustrations and photographs are not to scale — consult installation instructions. Product designs, materials, dimensions, specifications, colors and prices are subject to change or discontinuance without notice.