



STANDARD FEATURES

- ◆ Available in a 48" linear configured model

- ◆ Indoor see-through conversion kit is available to allow viewing from two living spaces

- ◆ Indoor/Outdoor see-through conversion kit available to enjoy the fire both inside and out

- ◆ HeatFlo kit option allows heat direction above heat sensitive wall hangings

- ◆ Electronic ignition with battery backup provides continued operation in the event of a power outage

- ◆ 99.9% efficient for exceptional heating and lower operating costs

- ◆ Three flame settings with up to a 30% turn down for precise heat control

- ◆ Clean-face design with integrated tile stops for easy finishing

- ◆ Factory installed blower with six speed settings to fine tune your heating*

- ◆ Black painted interior standard (optional black reflective glass liner available)

- ◆ Platinum crushed glass media included with several optional colors available

- ◆ Mood enhancing multi-colored LED floor lighting enhances the fireplace interior with or without a fire

- ◆ Multi-function touchscreen remote included (IPI/CPI, thermostat, flame height, blower, lighting)

- ◆ Limited Lifetime Warranty

*Blower use is not compatible with a see-through application.

LINERS



Black Painted (Standard)



Black Reflective Glass

MULTI-FUNCTION TOUCHSCREEN REMOTE (Included)



MEDIA



Platinum Crushed Glass (Standard)



Refl. Black Crushed Glass



Refl. Blue Crushed Glass



Onyx Ice Rock



Diamond Ice Rock



Sapphire Blue Ice Rock



Driftwood Rock Kit



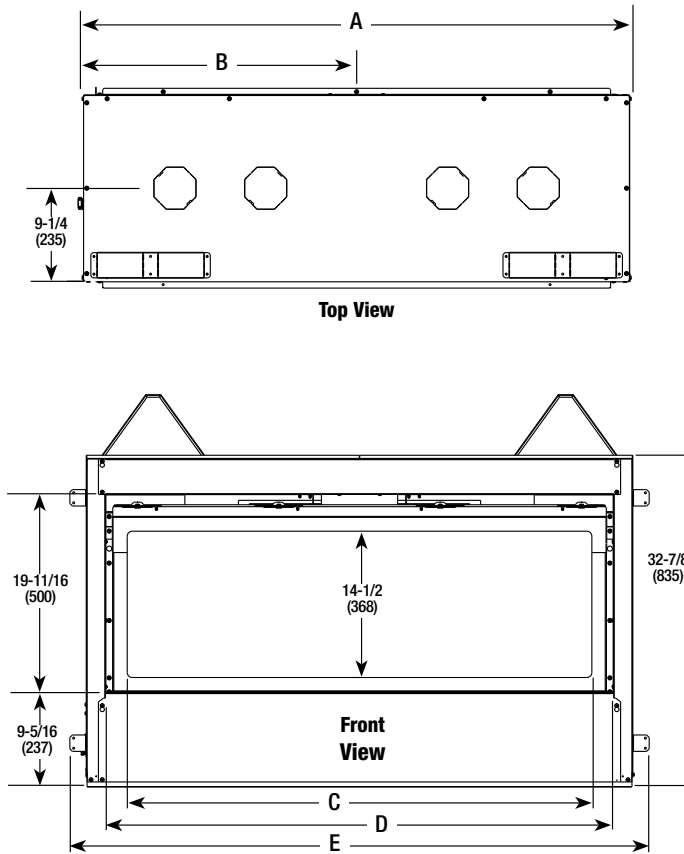
River Rock Assorted Set

Trim



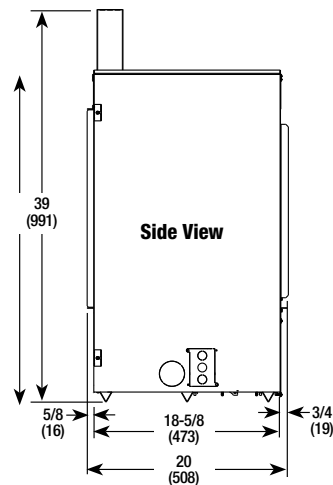
Black Perimeter Trim Kit

APPLIANCE SPECIFICATIONS

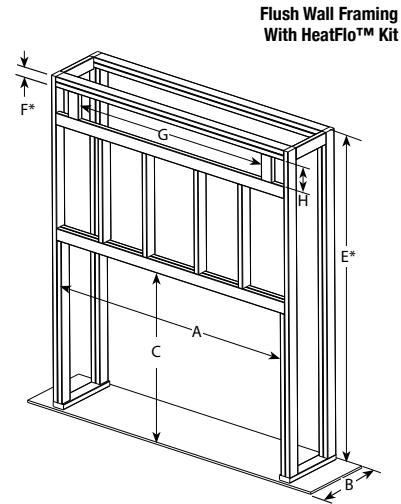


OMEGA DLX

	48" MODEL
A	54-1/4"
B	27-1/8"
C	46"
D	50-3/8"
E	57-7/16"



FLAT WALL FRAMING SPECIFICATIONS



OMEGA DLX

	48" One Sided Framing HeatFlo™ Kit
A	55-5/8"
B	19-1/2"
C	39-1/8"
E*	84"
F*	3-1/2"
G	53-1/2"
H	5-1/8"

E* = Minimum height from appliance base to ceiling
 F* = Minimum distance from framed opening to ceiling

Optional See-Thru Kit required for See-Thru installation

Refer to Spec Sheet for complete recessed wall pocket applications and instructions.

FIREPLACE BTU OPERATING RANGE

MODEL	FUEL	BTU/HR	AFUE
OMEGA DLX 48	NG	35,000-28,000	99.9%
OMEGA DLX 48	LP	34,000-27,000	99.9%

IMPORTANT NOTES:

As with any fireplace, this appliance is extremely hot during operation. Read and understand all operating instructions before using this appliance. For further information, consult your dealer.

Local conditions, such as elevation and choice of fuel will affect overall appearance of the fire and heating performance. Performance can also vary with home design and insulation, ceiling height, accessories chosen and appliance location.

Diagrams, illustrations and photographs are not to scale — consult installation instructions. Product designs, materials, dimensions, specifications, colors and prices are subject to change or discontinuance without notice.

