

DRT3000 SERIES

DIRECT VENT GAS FIREPLACES

Superior
FIREPLACES®



STANDARD FEATURES

- Available in 35", 40" and 45" models
- Mid-size 17" depth saves installed floor space
- Combination top/rear flue configuration
- Millivolt or Electronic ignition models available
- Electronic ignition models include seamless battery backup and provides continued operation in the event of a power outage (IPI/CPI switch standard)
- Outstanding heating efficiency for increased comfort and lower operating costs
- Standard tempered glass and a protective screen*
- Detailed ceramic fiber log set
- Face selections include a Vista inside fit façade or one of several Designer overlap fit façades (required)
- Black painted interior (optional liners available)
- Optional blower and touch remote or hand-held remote control available for all models
- Durable textured powder coat finish
- 20 year limited warranty

*All applicable models comply with ANSI Z21.50/88 barrier requirements.

superiorfireplaces.us.com

FAÇADES (ONE REQUIRED)



VISTA – Black



REFLECTION — Black or Warm Chestnut (shown)



CRAFTSMAN — Black (shown) or Warm Chestnut

REMOTE (OPTIONAL)

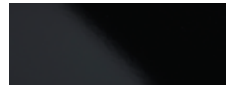


RC S Stat



On/Off

LINERS



Porcelain Liner Kit (Black)



Blackstone



Greystone



Blended Brown

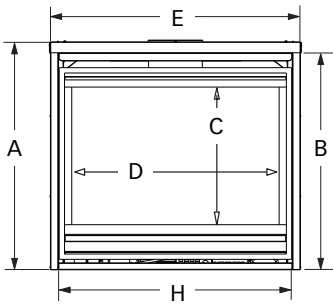
STAINLESS SURROUNDS (OPTIONAL)



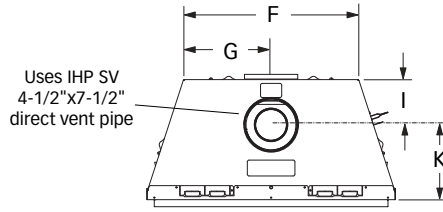
Available as four-sided or three-sided (Vista Façade req.).

SPECIFICATIONS

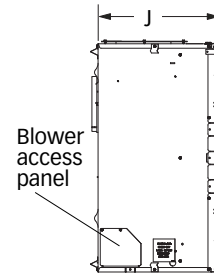
APPLIANCE DIMENSIONS



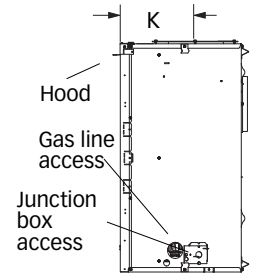
Front View



Top View



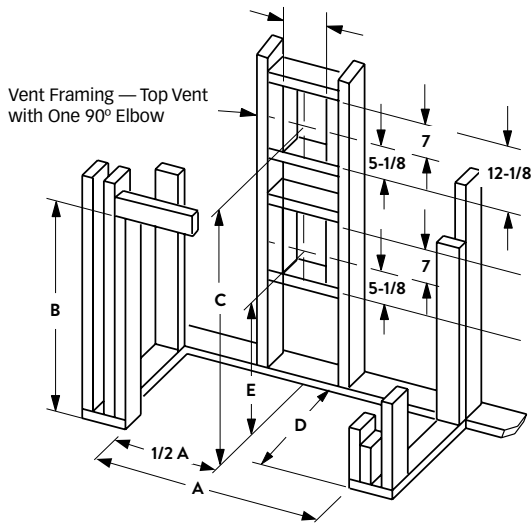
Left Side View



Right Side View

MODEL	A	B	C	D	E	F	G	H	I	J	K
35" MODELS	32-1/8"	30-1/2"	19-1/2"	29-1/4"	35-1/4"	25"	12-1/2"	32-7/8"	6-7/8"	17"	10-1/8"
40" MODELS	37-1/8"	35-1/2"	24-1/2"	34-1/4"	40-1/4"	30"	15"	37-7/8"	6-7/8"	17"	10-1/8"
45" MODELS	37-1/8"	35-1/2"	24-1/2"	39-1/4"	45-1/4"	35"	17-1/2"	42-7/8"	6-7/8"	17"	10-1/8"

FRAMING DIMENSIONS



MODEL	A	B	C	D	E
35" MODELS	35-7/8"	36-1/4" *	38-3/4"	18-1/2"	23-3/8"
40" MODELS	40-7/8"	41-1/4" *	43-3/4"	18-1/2"	28-1/4"
45" MODELS	45-7/8"	41-1/4" *	43-3/4"	18-1/2"	28-1/4"

* Includes 4" for fold-up standoffs

FIREPLACE EFFICIENCIES

MODEL	FUEL	BTU/HR	P4 / ENERGUIDE*
DRT3035	NG	20,000	63.3%
DRT3035	LP	17,000	62.4%
DRT3040	NG	24,000	64.8%
DRT3040	LP	24,000	63.8%
DRT3045	NG	28,000	64.2%
DRT3045	LP	27,000	65.4%

*Intermittent ignition systems.

On the cover: DRT3040 shown with Blackstone Liner

IMPORTANT NOTES:

As with any fireplace, this appliance is extremely hot during operation. Read and understand all operating instructions before using this appliance. For further information, consult your dealer.

Local conditions, such as elevation, wind, vent configuration and choice of fuel will affect overall appearance of the fire and heating performance. Performance can also vary with home design and insulation, climate, condition and type of fuel used, appliance location, burn rate, accessories chosen, chimney installation and how the appliance is operated.

Diagrams, illustrations and photographs are not to scale—consult installation instructions. Product designs, materials, dimensions, specifications, colors and prices are subject to change or discontinuance without notice.



© 2024 Innovative Hearth Products

785816M 06/24

Visit us online
SuperiorFireplaces.us.com

