

# DRT4000 SERIES

DIRECT VENT GAS FIREPLACES

Superior  
FIREPLACES®



## FEATURES

- Available in 40" and 45" models
- Full-size 21" deep models offer a larger fireplace interior and log arrangement
- Top flue configuration
- Electronic ignition with seamless battery backup provides continued operation in the event of a power outage (IPI/CPI switch standard).
- Outstanding heating efficiency for increased comfort and lower operating costs
- Standard tempered glass and a protective screen\*
- Beautifully crafted high-definition ceramic fiber log set with heavy-duty grate
- Face selections include a Vista inside fit façade or one of several Designer overlap fit façades (required)
- Black painted interior (optional liners available)
- Optional blower and touch remote or hand-held remote control available for all models
- Durable textured powder coat finish
- 20 year limited warranty

\*All applicable models comply with ANSI Z21.50/88 barrier requirements.

[superiorfireplaces.us.com](http://superiorfireplaces.us.com)

## FAÇADES (ONE REQUIRED)



VISTA – Black



REFLECTION — Black or Warm Chestnut (shown)



CRAFTSMAN — Black (shown) or Warm Chestnut

## REMOTE (OPTIONAL)

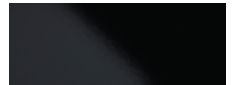


RC S Stat



On/Off

## LINERS



Porcelain Liner Kit (Black)



Blackstone



Greystone



Blended Brown

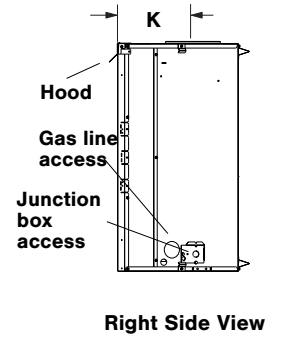
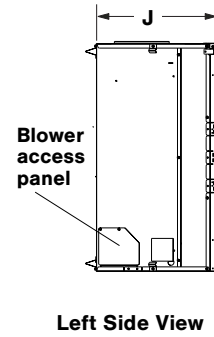
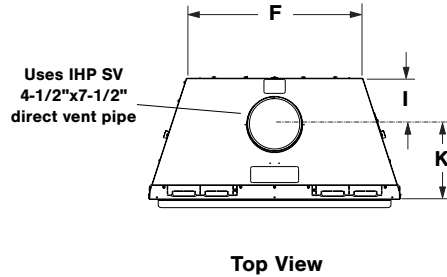
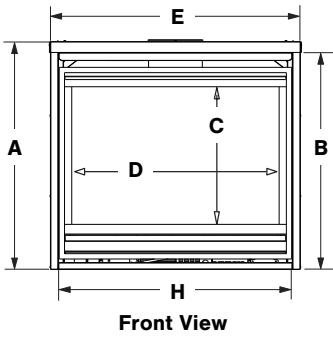
## STAINLESS SURROUNDS (OPTIONAL)



Available as four-sided or three-sided (Vista Façade req.).

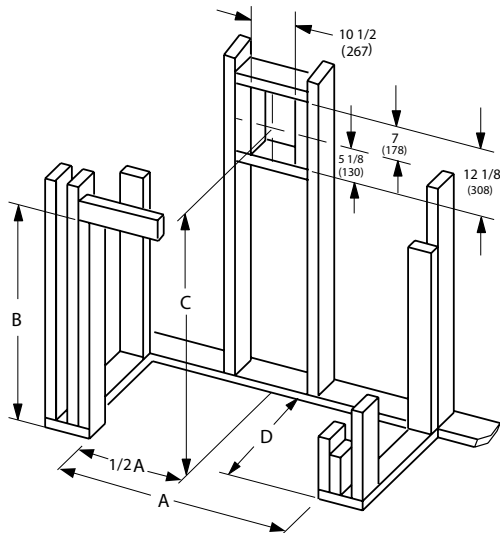
# SPECIFICATIONS

## APPLIANCE DIMENSIONS



MODEL	A	B	C	D	E	F	H	I	J	K
40" MODELS	37-1/8"	34-5/8"	24-1/2"	34-1/4"	40-1/4"	30"	37-7/8"	6-7/8"	21"	12-3/8"
45" MODELS	37-1/8"	34-5/8"	24-1/2"	39-1/4"	45-1/4"	35"	42-7/8"	6-7/8"	21"	12-3/8"

## FRAMING DIMENSIONS



MODEL	A	B	C	D
40" MODELS	40-7/8"	41-1/4" *	43-3/4"	23"
45" MODELS	45-7/8"	41-1/4" *	55-3/4"	23"

\* Includes 4" for fold-up standoffs

## FIREPLACE EFFICIENCIES

MODEL	FUEL	BTU/HR	P4 / ENERGY*
<b>DRT4040</b>	NG	28,000-20,000	57.1%
<b>DRT4040</b>	LP	25,000-18,000	58.6%
<b>DRT4045</b>	NG	31,000-21,000	59.6%
<b>DRT4045</b>	LP	31,000-20,000	62.8%

\*Intermittent ignition systems.

### IMPORTANT NOTES:

As with any fireplace, this appliance is extremely hot during operation. Read and understand all operating instructions before using this appliance. For further information, consult your dealer.

Local conditions, such as elevation, wind, vent configuration and choice of fuel will affect overall appearance of the fire and heating performance. Performance can also vary with home design and insulation, climate, condition and type of fuel used, appliance location, burn rate, accessories chosen, chimney installation and how the appliance is operated.

Diagrams, illustrations and photographs are not to scale—consult installation instructions. Product designs, materials, dimensions, specifications, colors and prices are subject to change or discontinuance without notice.

**On the Cover:** DRT4040 shown with Greystone Liner



© 2024 Innovative Hearth Products

785818M 06/24

Visit us online  
[SuperiorFireplaces.us.com](http://SuperiorFireplaces.us.com)

