

DRC2000 SERIES

LINEAR DIRECT VENT FIREPLACES



STANDARD FEATURES

- Available in a 33" model
- Compact 14" depth is perfect for small spaces
- Dedicated top flue or dedicated rear flue configuration
- Electronic ignition with seamless battery backup provides continued operation in the event of a power outage (IPI/CPI switch standard)
- Outstanding heating efficiency for increased comfort and lower operating costs
- Standard tempered glass and a protective screen*
- Reflective black crushed glass media included with optional colors available to customize the look
- Clean faced heat-circulating design
- Black painted interior
- Optional blower and hand-held remote controls available
- Durable textured powder coat finish
- 20 year limited warranty

*All applicable models comply with ANSI Z21.88 barrier requirements.

MEDIA



Refl. Black Crushed Glass (Standard)



Platinum Crushed Glass



Refl. Blue Crushed Glass

CONTROL



Thermostatic Remote (Optional)

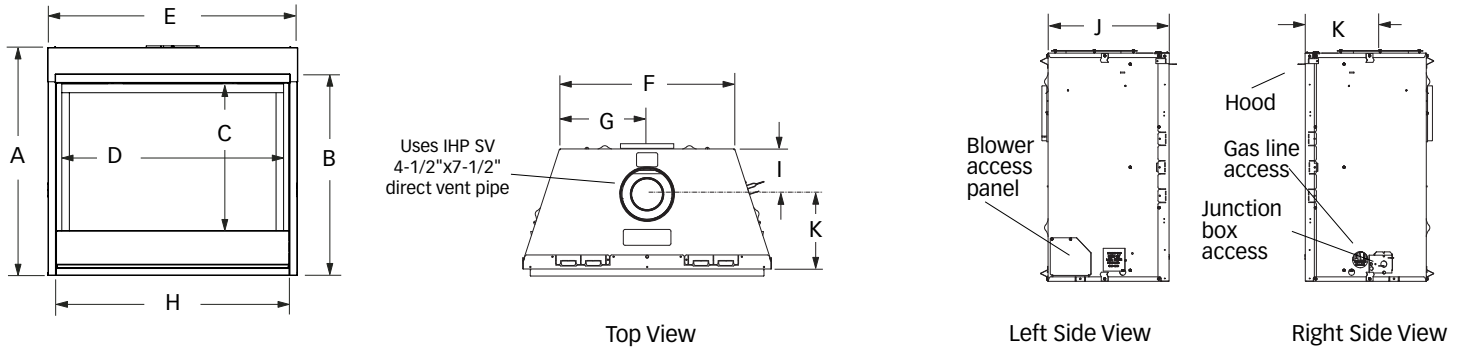


Hand-Held On/Off Remote

APPLIANCE SPECIFICATIONS

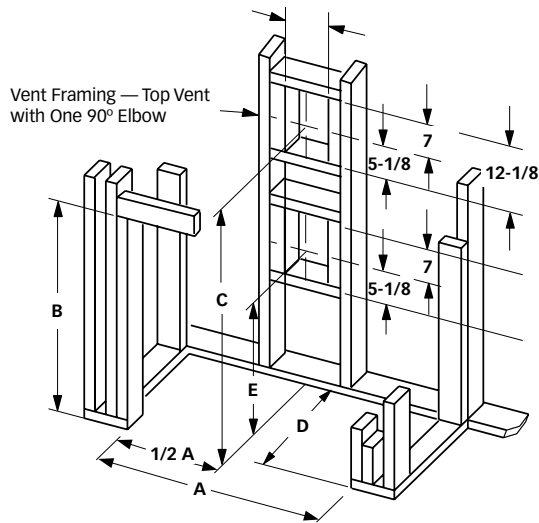
FRAMING SPECIFICATIONS

APPLIANCE DIMENSIONS



MODEL	A	B	C	D	E	F	G	H	I	J	K
33" MODELS	30-1/8"	26-1/4"	18-3/8"	30-1/2"	33-5/8"	21-7/8"	11"	31"	5-1/2"	14"	8-1/2"

FRAMING DIMENSIONS



MODEL	A	B	C	D	E
35" MODELS	35-7/8"	36-1/4" *	38-3/4"	18-1/2"	23-3/8"

FIREPLACE EFFICIENCIES

MODEL	FUEL	BTU/HR	P4 / ENERGUIDE*
DRC2033	NG	12,000	64.8%
DRC2033	LP	10,000	64.8%

*Intermittent ignition systems.

On the Cover: Shown with Black Reflective Crushed Glass

IMPORTANT NOTES:

As with any fireplace, this appliance is extremely hot during operation. Read and understand all operating instructions before using this appliance. For further information, consult your dealer.

Local conditions, such as elevation, wind, vent configuration and choice of fuel will affect overall appearance of the fire and heating performance. Performance can also vary with home design and insulation, climate, condition and type of fuel used, appliance location, burn rate, accessories chosen, chimney installation and how the appliance is operated.

Diagrams, illustrations and photographs are not to scale—consult installation instructions. Product designs, materials, dimensions, specifications, colors and prices are subject to change or discontinuance without notice.

