

DRC3000 SERIES

DIRECT VENT FIREPLACES

Superior
FIREPLACES®



STANDARD FEATURES

- Available in 35", 40" and 45" models
- Mid-size 17" depth saves installed floor space
- Combination top/rear flue configuration
- Electronic ignition with seamless battery backup provides continued operation in the event of a power outage (IPI/CPI switch standard)
- Outstanding heating efficiency for increased comfort and lower operating costs
- Standard tempered glass and a protective screen*
- Reflective black crushed glass media included with optional colors available to customize the look
- Face selections include a Vista inside fit façade or one of several Designer overlap fit façades (required)
- Black painted interior (optional liner available)
- Optional blower and touch remote or hand-held remote control available for all models
- Durable textured powder coat finish
- 20 year limited warranty

*All applicable models comply with ANSI Z21.88 barrier requirements.

superiorfireplaces.us.com

LINERS



Black Painted (Std.)



Black Porcelain Liner

FACADES (ONE REQUIRED)



VISTA — Black



REFLECTION — Black and Warm Chestnut (Shown)

SURROUNDS (OPTIONAL)



STAINLESS SURROUND Four-Sided



STAINLESS SURROUND Three-Sided

CONTROL OPTIONS



Thermostatic Remote (Optional)



Hand-Held On/Off Remote (Optional)

MEDIA



Reflective Black Crushed Glass (Standard)



Platinum Crushed Glass



Reflective Blue Crushed Glass



River Rock Assorted Set

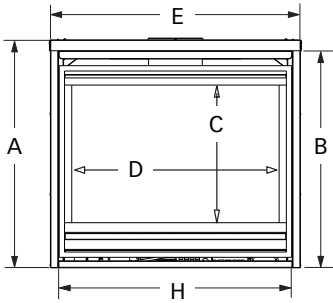
LOG SETS



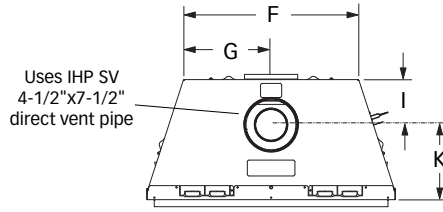
High-Definition Log Sets (40" Shown)

SPECIFICATIONS

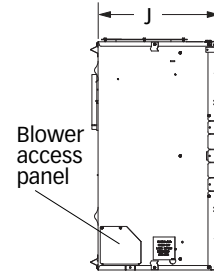
APPLIANCE DIMENSIONS



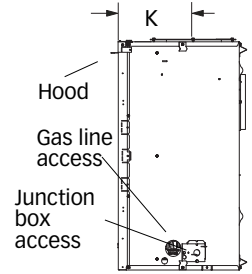
Front View



Top View



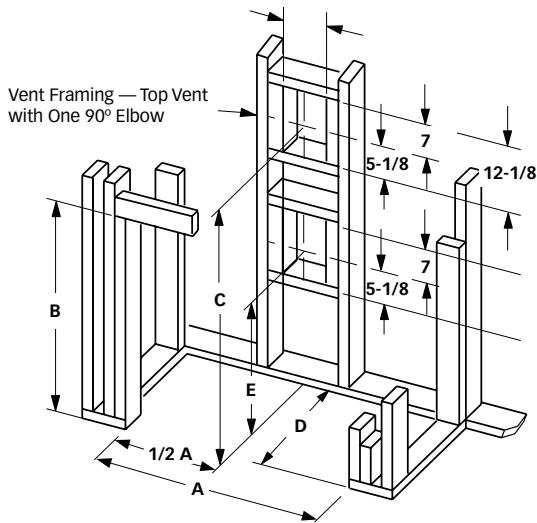
Left Side View



Right Side View

MODEL	A	B	C	D	E	F	G	H	I	J	K
35" MODELS	32-1/8"	30-1/2"	19-1/2"	29-1/4"	35-1/4"	25"	12-1/2"	32-7/8"	6-7/8"	17"	10-1/8"
40" MODELS	37-1/8"	35-1/2"	24-1/2"	34-1/4"	40-1/4"	30"	15"	37-7/8"	6-7/8"	17"	10-1/8"
45" MODELS	37-1/8"	35-1/2"	24-1/2"	39-1/4"	45-1/4"	35"	17-1/2"	42-7/8"	6-7/8"	17"	10-1/8"

FRAMING DIMENSIONS



MODEL	A	B	C	D	E
35" MODELS	35-7/8"	36-1/4" *	38-3/4"	18-1/2"	23-3/8"
40" MODELS	40-7/8"	41-1/4" *	43-3/4"	18-1/2"	28-1/4"
45" MODELS	45-7/8"	41-1/4" *	43-3/4"	18-1/2"	28-1/4"

* Includes 4" for fold-up standoffs

FIREPLACE EFFICIENCIES

MODEL	FUEL	BTU/HR	P4 / ENERGUIDE*
DRC3035	NG	20,000-15,000	64.8%
DRC3035	LP	18,000-15,000	64.9%
DRC3040	NG	24,000-18,000	63.9%
DRC3040	LP	23,000-18,000	65.2%
DRC3045	NG	28,000-22,000	62.9%
DRC3045	LP	27,000-20,000	64.8%

*Intermittent ignition systems.

IMPORTANT NOTES:

As with any fireplace, this appliance is extremely hot during operation. Read and understand all operating instructions before using this appliance. For further information, consult your dealer.

Local conditions, such as elevation, wind, vent configuration and choice of fuel will affect overall appearance of the fire and heating performance. Performance can also vary with home design and insulation, climate, condition and type of fuel used, appliance location, burn rate, accessories chosen, chimney installation and how the appliance is operated.

Diagrams, illustrations and photographs are not to scale—consult installation instructions. Product designs, materials, dimensions, specifications, colors and prices are subject to change or discontinuance without notice.

On the cover: DRC3040 sshown with Reflective Black Crushed Glass and Black Porcelain Liner



© 2024 Innovative Hearth Products
785872M 06/24

Visit us online
SuperiorFireplaces.us.com

