

ALTAIR DLX / ALTAIR

FULL-SIZE DIRECT VENT GAS FIREPLACES



ALTAIR DLX



*Altair DLX 45 with
Charlestown Black
HerringboneLiner
and Reflection (Black) Façade*

The Altair DLX Series of direct vent gas fireplaces represents refined elegance. This lavish fireplace series comes standard with multiple upscale features ranging from impeccable high-definition logs to cascading interior lighting to ceramic glass. Off or on, the Altair DLX Series fireplaces are graced with stunning premium features that enhance any living area the entire year.

STANDARD FEATURES

- ◆ Available in 40" and 45" models
- ◆ Full-size 21" deep models offer a larger fireplace interior and log arrangement
- ◆ Top flue configuration
- ◆ Electronic ignition with seamless battery backup provides continued operation in the event of a power outage (IPI/CPI switch standard).
- ◆ Outstanding heating efficiency for increased comfort and lower operating costs
- ◆ Ceramic glass for optimum heat transfer and a protective screen*
- ◆ Beautifully crafted high-definition ceramic fiber log set with heavy-duty grate
- ◆ Face selections include a Vista inside fit façade or one of several Designer overlap fit façades (required)
- ◆ Interior selections consist of black reflective porcelain or a variety of ceramic fiber liners (required)
- ◆ Mood enhancing interior illumination with six distinctive settings
- ◆ Factory installed blower with six speed settings to fine tune your heating needs
- ◆ Full-function remote control included (IPI/CPI, thermostat, flame height, blower, lighting)
- ◆ Durable textured powder coat finish
- ◆ Limited lifetime warranty

*All applicable models comply with ANSI Z21.88 barrier requirements.



Altair DLX 45 with Black Tie Stacked interior, high-definition logs and vibrant flames

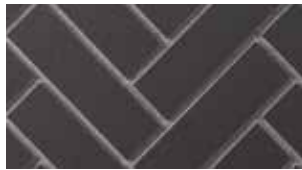
Required Options

INTERIOR (CHOOSE ONE)

Gorgeous Black Reflective Porcelain, or Ceramic Fiber liner kits that deliver the true look of masonry craftsmanship



Black Tie Stacked Ceramic Fiber Liner



Charlestown Black Herringbone Ceramic Fiber Liner



Heritage Brown Stacked Ceramic Fiber Liner



Tudor Brown Herringbone Ceramic Fiber Liner



Black Reflective Porcelain Liner

Multi-Function Touch Remote (Included)



- Touchscreen Digital Display
- Manual On-Off & Thermostatic Modes
- 3 Flame Heights Settings
- 6 Interior Light Settings
- 6 Blower Speed Settings
- Weekday/Weekend Modes
- Wall Mounted Docking Station

FACADES (CHOOSE ONE)

Select from a wide variety of unique, hand-crafted designs and colors to accentuate your Altair DLX fireplace.



VISTA Black



REFLECTION Black or Warm Chestnut (Shown)



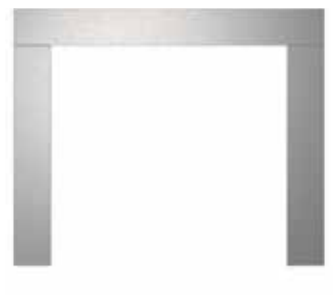
CRAFTSMAN Black (Shown) or Warm Chestnut

Nouvelle Decorative Face Surrounds (Optional)

Give your fireplace a truly modern finish with a stainless steel decorative face surround kit (Vista Façade required).



STAINLESS SURROUND Four-Sided



STAINLESS SURROUND Three-Sided

ALTAIR



Altair 40 with Heritage Brown Stacked Ceramic Fiber Liner and Warm Chestnut Reflection Façade

The Altair Series of direct vent gas fireplaces represents customizable realism. This elegant series comes standard with magnificent high-definition logs, vibrant flames, and wireless wall-mounted control. The Altair Series offers a variety of decorative façades and optional accessories that allow you to tailor your fireplace to your personal taste and transform any house into a cozy, inviting home.

STANDARD FEATURES

- ◆ Available in 40" and 45" models
- ◆ Full-size 21" deep models offer a larger fireplace interior and log arrangement
- ◆ Top flue configuration
- ◆ Electronic ignition with seamless battery backup provides continued operation in the event of a power outage (IPI/CPI switch standard).
- ◆ Outstanding heating efficiency for increased comfort and lower operating costs
- ◆ Standard tempered glass and a protective screen*
- ◆ Beautifully crafted high-definition ceramic fiber log set with heavy-duty grate
- ◆ Face selections include a Vista inside fit façade or one of several Designer overlap fit façades (required)
- ◆ Black painted interior (optional liners available)
- ◆ Wireless wall mounted control provides variable flame settings
- ◆ Optional blower and touch remote or hand-held remote control available for all models
- ◆ Durable textured powder coat finish
- ◆ Limited lifetime warranty

*All applicable models comply with ANSI Z21.88 barrier requirements.



Altair 40 with Charlestown Black Herringbone interior, high-definition logs, and vibrant flames

Accessories & Options

INTERIOR

Black Painted (Standard), Gorgeous Black Reflective Porcelain, or Ceramic Fiber liner kits that deliver the true look of masonry craftsmanship



Black Tie Stacked Ceramic Fiber Liner



Charlestown Black Herringbone Ceramic Fiber Liner



Heritage Brown Stacked Ceramic Fiber Liner



Tudor Brown Herringbone Ceramic Fiber Liner



Black Painted Interior (Standard)



Black Reflective Porcelain Liner

Control Options



Wireless Wall-Mounted Control (Standard with Electronic Ignition Models)



Multi-Function Touch Remote (Optional)



Hand-Held On/Off High/Low Remote Control (Optional)

FACADES (CHOOSE ONE)

Select from a wide variety of unique, hand-crafted designs and colors to accentuate your Altair fireplace.



VISTA Black



REFLECTION Black or Warm Chestnut (Shown)



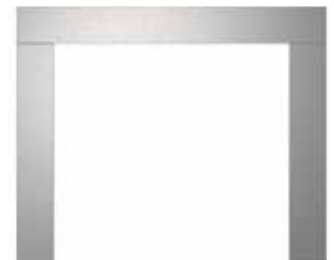
CRAFTSMAN Black (Shown) or Warm Chestnut

Nouvelle Decorative Face Surrounds (Optional)

Give your fireplace a truly modern finish with a stainless steel decorative face surround kit (Vista Façade required).



STAINLESS SURROUND Four-Sided



STAINLESS SURROUND Three-Sided



[Click or Scan for Product Details-Brochures-Smart Sheets-Specification Sheets-Installation Manuals](#)

ALTAIR DLX

Traditional | Custom Series



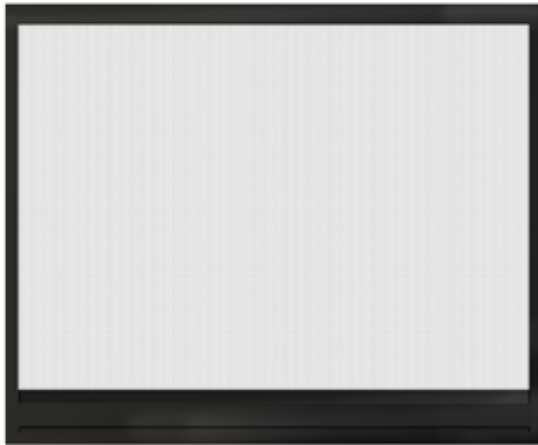
ALTAIR

Traditional | Custom Series



Personalize your fireplace with a variety of façade and interior liner combinations that are sure to transform your living space into a warm and inviting sanctuary.

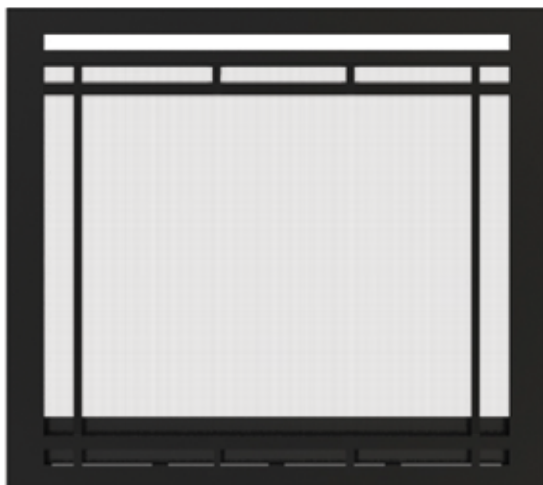
Façades



VISTA
Black



REFLECTION
Black or Warm Chestnut (Shown)



CRAFTSMAN
Black (Shown) or Warm Chestnut

Interior Liners



Black Tie Stacked
Ceramic Fiber Liner



Charlestown Black Herringbone
Ceramic Fiber Liner



Heritage Brown Stacked
Ceramic Fiber Liner



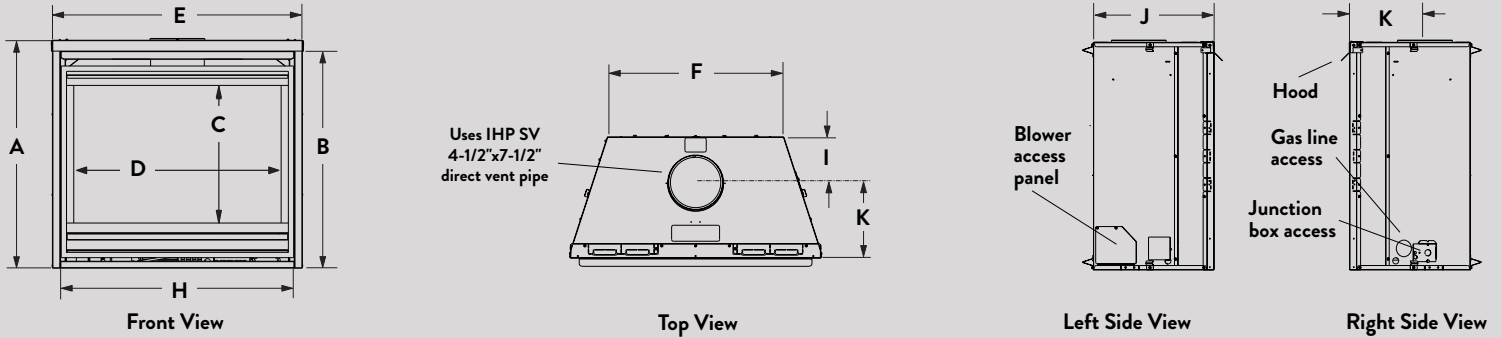
Tudor Brown Herringbone
Ceramic Fiber Liner



Black Reflective Porcelain Liner

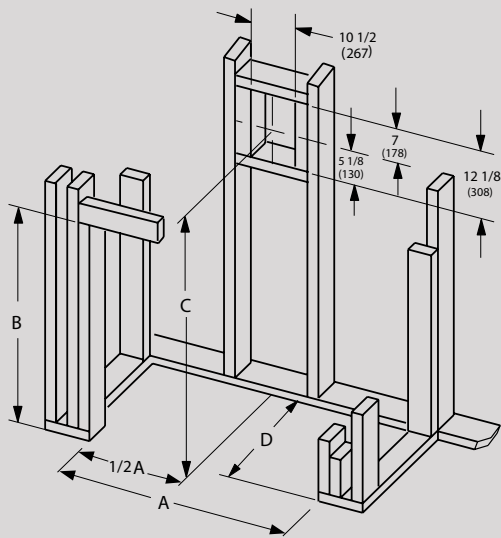
SPECIFICATIONS

APPLIANCE DIMENSIONS



MODEL	A	B	C	D	E	F	H	I	J	K
40" MODELS	37-1/8"	35-1/2"	24-1/2"	34-1/4"	40-1/4"	30"	37-7/8"	6-7/8"	21"	12-3/8"
45" MODELS	37-1/8"	35-1/2"	24-1/2"	39-1/4"	45-1/4"	35"	42-7/8"	6-7/8"	21"	12-3/8"

FRAMING DIMENSIONS



MODEL	A	B	C	D
40" MODELS	40-7/8"	41-1/4"*	43-3/4"	23"
45" MODELS	45-7/8"	41-1/4"*	55-3/4"	23"

* Includes 4" for fold-up standoffs

FIREPLACE EFFICIENCIES – Listed to ANSI Z21.88 as a gas fireplace heater.

MODEL	FUEL	BTU/HR	P4 / ENERGIDE*
ALTAIR DLX 40	NG	36,000-24,000	65.0%
ALTAIR DLX 40	LP	31,000-21,000	62.4%
ALTAIR DLX 45	NG	42,000-25,000	65.0%
ALTAIR DLX 45	LP	41,000-22,000	62.5%
ALTAIR 40	NG	28,000-20,000	62.9%
ALTAIR 40	LP	25,000-18,000	62.7%
ALTAIR 45	NG	31,000-21,000	62.4%
ALTAIR 45	LP	31,000-20,000	65.0%

*Intermittent ignition systems.

IMPORTANT NOTES:

As with any fireplace, this appliance is extremely hot during operation. Read and understand all operating instructions before using this appliance. For further information, consult your dealer.

Local conditions, such as elevation, wind, vent configuration and choice of fuel will affect overall appearance of the fire and heating performance. Performance can also vary with home design and insulation, climate, condition and type of fuel used, appliance location, burn rate, accessories chosen, chimney installation and how the appliance is operated.

Diagrams, illustrations and photographs are not to scale—consult installation instructions. Product designs, materials, dimensions, specifications, colors and prices are subject to change or discontinuance without notice.

