



STANDARD FEATURES

- ◆ Available in a 33" model
- ◆ Compact 14" depth is perfect for small spaces
- ◆ Dedicated top flue or dedicated rear flue configuration
- ◆ Electronic ignition with seamless battery backup provides continued operation in the event of a power outage (IPI/CPI switch standard)
- ◆ Outstanding heating efficiency for increased comfort and lower operating costs
- ◆ Standard tempered glass and a protective screen*
- ◆ Reflective black crushed glass media included with optional colors available to customize the look
- ◆ Clean faced heat-circulating design
- ◆ Black painted interior
- ◆ Optional blower and hand-held remote controls available for all models
- ◆ Durable textured powder coat finish
- ◆ Limited lifetime warranty

*All applicable models comply with ANSI Z21.50/88 barrier requirements.

Accessories & Options

Media



Reflective Black
Crushed Glass
(Standard)



Platinum
Crushed Glass



Reflective Blue
Crushed Glass

Control (Optional)



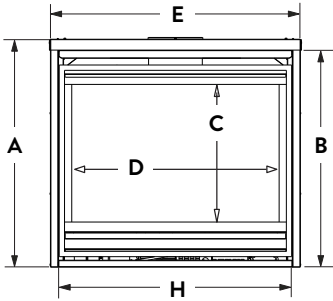
Thermostatic
Remote



Hand-Held
On/Off
Remote

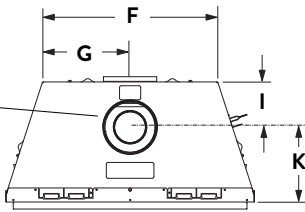
SPECIFICATIONS

APPLIANCE DIMENSIONS

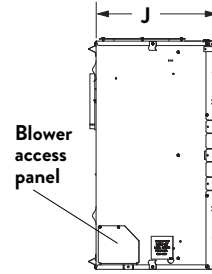


Front View

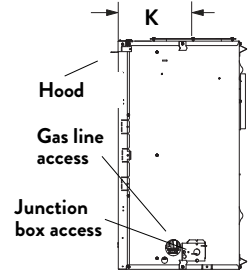
Uses IHP SV
4-1/2" x 7-1/2"
direct vent pipe



Top View



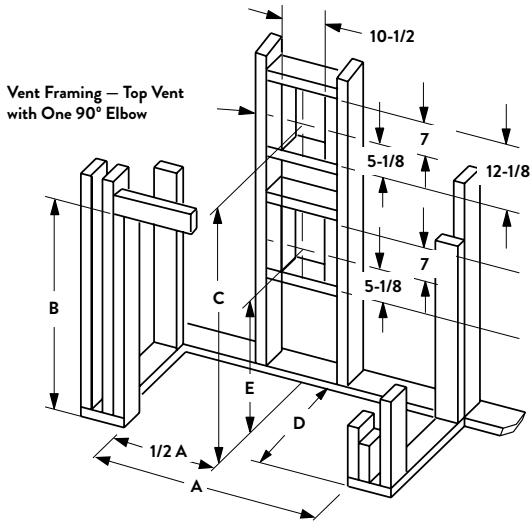
Left Side View



Right Side View

MODEL	A	B	C	D	E	F	G	H	I	J	K
33" MODELS	30-1/8"	26-1/4"	18-3/8"	30-1/2"	33-5/8"	21-7/8"	11"	31"	5-1/2"	14"	8-1/2"

FRAMING DIMENSIONS



MODEL	A	B	C	D	E
33" MODEL	33-3/4"	34-1/4"*	36-7/8"	14-1/2"	19-5/8"

* Includes 4" for fold-up standoffs

FIREPLACE EFFICIENCIES – Listed to ANSI Z21.88 as a gas fireplace heater.

MODEL	FUEL	BTU/HR	P4 / ENERGIDE*
ARIES CD 33	NG	12,000	64.8%
ARIES CD 33	LP	10,000	64.8%

*Intermittent ignition systems.

FRONT COVER

ARIES CD 33 with Black Painted Interior and Reflective Blue Crushed Glass

IMPORTANT NOTES:

As with any fireplace, this appliance is extremely hot during operation. Read and understand all operating instructions before using this appliance. For further information, consult your dealer.

Local conditions, such as elevation, wind, vent configuration and choice of fuel will affect overall appearance of the fire and heating performance. Performance can also vary with home design and insulation, climate, condition and type of fuel used, appliance location, burn rate, accessories chosen, chimney installation and how the appliance is operated.

Diagrams, illustrations and photographs are not to scale—consult installation instructions. Product designs, materials, dimensions, specifications, colors and prices are subject to change or discontinuance without notice.



© 2024 Innovative Hearth Products
785875M 07/24

Visit us online
Astria.us.com

