



STANDARD FEATURES

- ◆ Available in 35", 40" and 45" models

- ◆ Mid-size 17" depth saves installed floor space

- ◆ Combination top/rear flue configuration

- ◆ Electronic ignition with seamless battery backup provides continued operation in the event of a power outage (IPI/CPI switch standard).

- ◆ Outstanding heating efficiency for increased comfort and lower operating costs

- ◆ Standard tempered glass and a protective screen*

- ◆ Reflective black crushed glass media included with optional colors available to customize the look

- ◆ Face selections include a Vista inside fit façade or Designer overlap fit façades (required)

- ◆ Black painted interior (optional liner available)

- ◆ Wireless wall mounted control provides variable flame settings

- ◆ Optional blower and touch remote or hand-held remote control available for all models

- ◆ Durable textured powder coat finish

- ◆ Limited lifetime warranty

*All applicable models comply with ANSI Z21.50/88 barrier requirements.

LINERS



Black Painted (Standard)



Black Porcelain Liner

FACADES (One Required)



VISTA — Black



REFLECTION — Black and Warm Chestnut (Shown)

DECORATIVE FACE SURROUNDS (Optional)



STAINLESS SURROUND Four-Sided



STAINLESS SURROUND Three-Sided

MEDIA



Reflective Black Crushed Glass (Standard)



Platinum Crushed Glass



Reflective Blue Crushed Glass



River Rock Assorted Set

LOG SETS



High-Definition Log Sets (40" Shown)

CONTROL OPTIONS



Multi-Function Touch Remote (Optional)



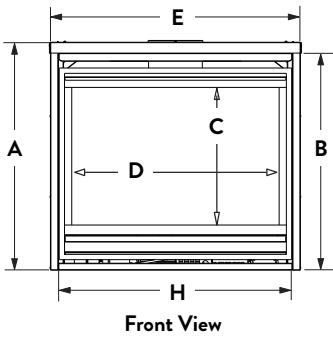
Hand-Held On/Off High/Low Remote Control (Optional)



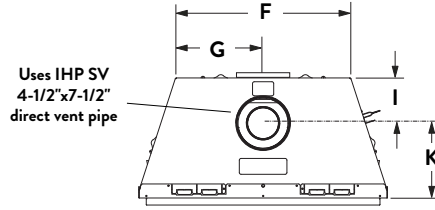
Wireless Wall-Mounted Control (Standard with Electronic Ignition Models)

SPECIFICATIONS

APPLIANCE DIMENSIONS

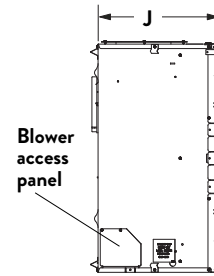


Front View

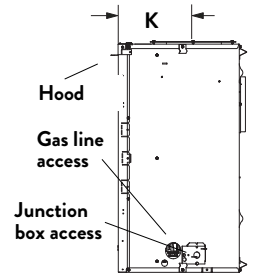


Top View

Uses IHP SV
4-1/2"x7-1/2"
direct vent pipe



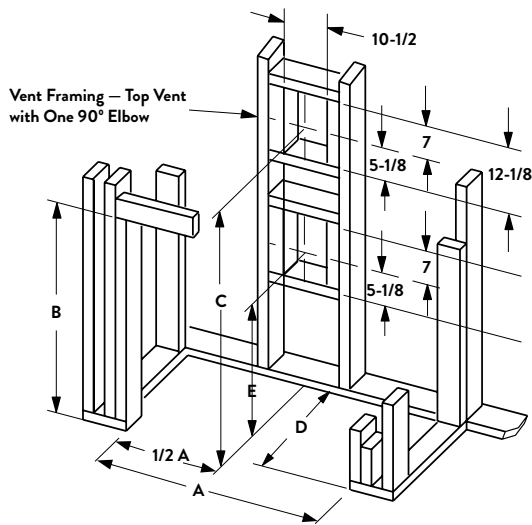
Left Side View



Right Side View

MODEL	A	B	C	D	E	F	G	H	I	J	K
35" MODELS	32-1/8"	30-1/2"	19-1/2"	29-1/4"	35-1/4"	25"	12-1/2"	32-7/8"	6-7/8"	17"	10-1/8"
40" MODELS	37-1/8"	35-1/2"	24-1/2"	34-1/4"	40-1/4"	30"	15"	37-7/8"	6-7/8"	17"	10-1/8"
45" MODELS	37-1/8"	35-1/2"	24-1/2"	39-1/4"	45-1/4"	35"	17-1/2"	42-7/8"	6-7/8"	17"	10-1/8"

FRAMING DIMENSIONS



Vent Framing — Top Vent
with One 90° Elbow

FIREPLACE EFFICIENCIES — Listed to ANSI Z21.88 as a gas fireplace heater.

MODEL	FUEL	BTU/HR	P4 / ENERGYGUIDE*
GEMINI CD 35	NG	20,000-14,000	64.9%
GEMINI CD 35	LP	18,000-13,000	63.4%
GEMINI CD 40	NG	23,000-18,000	64.3%
GEMINI CD 40	LP	23,000-18,000	63.3%
GEMINI CD 45	NG	28,000-22,000	66.0%
GEMINI CD 45	LP	27,000-20,000	63.1%

*Intermittent ignition systems.

FRONT COVER: Scorpio CD 40 shown with Reflective Black Crushed Glass, Black Porcelain Liner, and Espresso Black Reflection Façade

MODEL	A	B	C	D	E
35" MODELS	35-7/8"	36-1/4" *	38-3/4"	18-1/2"	23-3/8"
40" MODELS	40-7/8"	41-1/4" *	43-3/4"	18-1/2"	28-1/4"
45" MODELS	45-7/8"	41-1/4" *	43-3/4"	18-1/2"	28-1/4"

* Includes 4" for fold-up standoffs

IMPORTANT NOTES:

As with any fireplace, this appliance is extremely hot during operation. Read and understand all operating instructions before using this appliance. For further information, consult your dealer.

Local conditions, such as elevation, wind, vent configuration and choice of fuel will affect overall appearance of the fire and heating performance. Performance can also vary with home design and insulation, climate, condition and type of fuel used, appliance location, burn rate, accessories chosen, chimney installation and how the appliance is operated.

Diagrams, illustrations and photographs are not to scale—consult installation instructions. Product designs, materials, dimensions, specifications, colors and prices are subject to change or discontinuance without notice.



© 2024 Innovative Hearth Products
785874M 06/24

Visit us online
Astria.us.com

