



STANDARD FEATURES

- ◆ Available in 40" and 45" models

- ◆ Full-size 21" deep models offer a larger fireplace interior and log arrangement

- ◆ Top flue configuration

- ◆ Electronic ignition with seamless battery backup provides continued operation in the event of a power outage (IPI/CPI switch standard).

- ◆ Outstanding heating efficiency for increased comfort and lower operating costs

- ◆ Standard tempered glass and a protective screen*

- ◆ Beautifully crafted high-definition ceramic fiber log set with heavy-duty grate

- ◆ Face selections include a Vista inside fit façade or one of several Designer overlap fit façades (required)

- ◆ Black painted interior (optional liners available)

- ◆ Wireless wall mounted control provides variable flame settings

- ◆ Optional blower and touch remote or hand-held remote control available for all models

- ◆ Durable textured powder coat finish

- ◆ Limited lifetime warranty

*All applicable models comply with ANSI Z21.88 barrier requirements.

FACADES (Choose One)



VISTA — Black



REFLECTION — Black



REFLECTION — Warm Chestnut



CRAFTSMAN — Black



CRAFTSMAN — Warm Chestnut

LINERS



Black Painted (Standard)



Black Reflective



Black Tie Stacked



Charlestown Black H'bone



Heritage Brown Stacked



Tudor Brown Herringbone

STANDARD

PORCELAIN

CERAMIC FIBER

NOUVELLE DECORATIVE FACE SURROUNDS (Optional)

Available as four-sided or three-sided (Classic Façade required).



Wireless Wall-Mounted Control
(Standard with Electronic Ignition Models)



Multi-Function Touch Remote
(Optional)

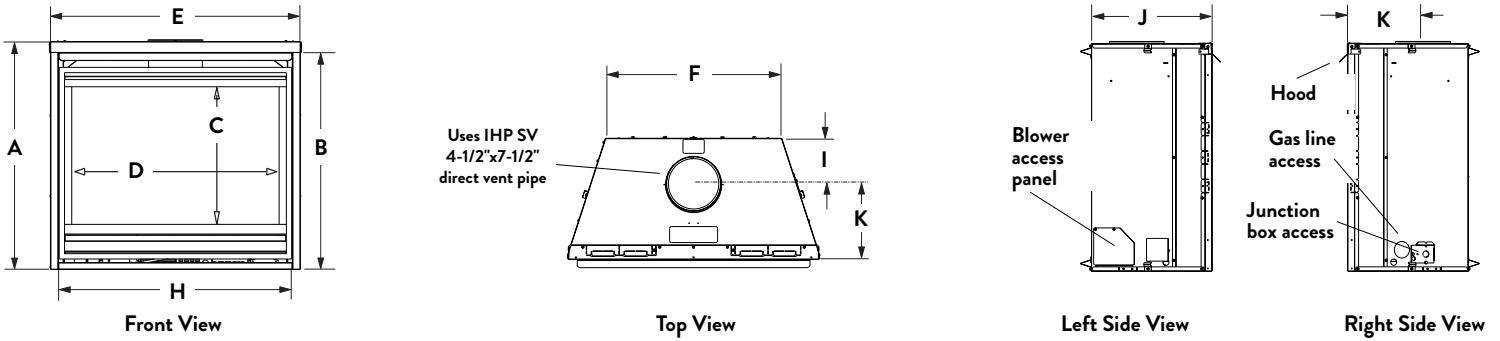


Hand-Held On/Off High/Low Remote Control
(Optional)

CONTROLS

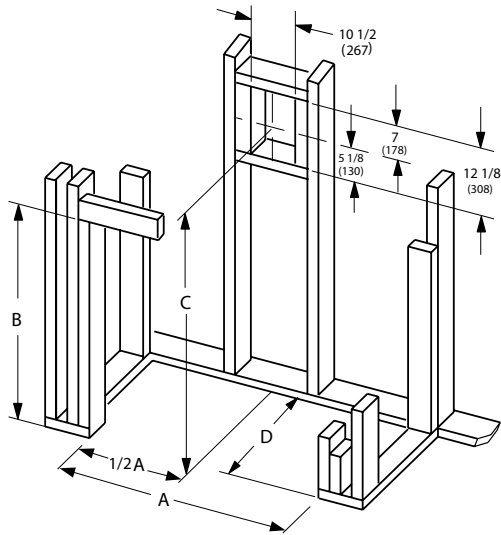
SPECIFICATIONS

APPLIANCE DIMENSIONS



MODEL	A	B	C	D	E	F	H	I	J	K
40" MODELS	37-1/8"	35-1/2"	24-1/2"	34-1/4"	40-1/4"	30"	37-7/8"	6-7/8"	21"	12-3/8"
45" MODELS	37-1/8"	35-1/2"	24-1/2"	39-1/4"	45-1/4"	35"	42-7/8"	6-7/8"	21"	12-3/8"

FRAMING DIMENSIONS



MODEL	A	B	C	D
40" MODELS	40-7/8"	41-1/4"*	43-3/4"	23"
45" MODELS	45-7/8"	41-1/4"*	43-3/4"	23"

* Includes 4" for fold-up standoffs

FIREPLACE EFFICIENCIES — Listed to ANSI Z21.88 as a gas fireplace heater.

MODEL	FUEL	BTU/HR	P4 / ENERGUIDE*
ALTAIR 40	NG	28,000-20,000	62.9%
ALTAIR 40	LP	25,000-18,000	62.7%
ALTAIR 45	NG	31,000-21,000	62.4%
ALTAIR 45	LP	31,000-20,000	65.0%

*Intermittent ignition systems.

FRONT COVER

Altair 40 with Heritage Brown Stacked Ceramic Fiber Liner

IMPORTANT NOTES:

As with any fireplace, this appliance is extremely hot during operation. Read and understand all operating instructions before using this appliance. For further information, consult your dealer.

Local conditions, such as elevation, wind, vent configuration and choice of fuel will affect overall appearance of the fire and heating performance. Performance can also vary with home design and insulation, climate, condition and type of fuel used, appliance location, burn rate, accessories chosen, chimney installation and how the appliance is operated.

Diagrams, illustrations and photographs are not to scale—consult installation instructions. Product designs, materials, dimensions, specifications, colors and prices are subject to change or discontinuance without notice.



© 2024 Innovative Hearth Products
785753M 06/24

Visit us online
Astria.us.com

