



## STANDARD FEATURES

- ◆ Available in 35", 40" and 45" models

---

- ◆ Mid-size 17" depth saves installed floor space

---

- ◆ Combo top/rear flue configuration

---

- ◆ Electronic ignition with seamless battery backup provides continued operation in the event of a power outage (IPI/CPI switch standard).

---

- ◆ Outstanding heating efficiency for increased comfort and lower operating costs

---

- ◆ Ceramic glass for optimum heat transfer and a protective screen\*

---

- ◆ Beautifully crafted high-definition ceramic fiber log set with heavy-duty grate

---

- ◆ Face selections include a Vista inside fit façade or one of several Designer overlap fit facades (required)

---

- ◆ Interior selections consist of black reflective porcelain or a variety of ceramic fiber liners (required)

---

- ◆ Mood-enhancing interior illumination with six distinctive settings

---

- ◆ Factory installed blower with six speed settings to fine tune your heating needs

---

- ◆ Full-function remote control included (IPI/CPI, thermostat, flame height, blower, lighting)

---

- ◆ Durable textured powder coat finish

---

- ◆ Limited lifetime warranty

\*All applicable models comply with ANSI Z21.88 barrier requirements.

astria.us.com

## FACADES (Choose One)



VISTA — Black



REFLECTION — Black



REFLECTION — Warm Chestnut



CRAFTSMAN — Black



CRAFTSMAN — Warm Chestnut

## NOUVELLE DECORATIVE FACE SURROUNDS (Optional)

Available as four-sided or three-sided  
(Classic Façade required).



## LINERS (Choose One)



Black Reflective



Black Tie Stacked



Charlestown Black H'bone



Heritage Brown Stacked



Tudor Brown Herringbone

## MULTI-FUNCTION TOUCH REMOTE (Included)

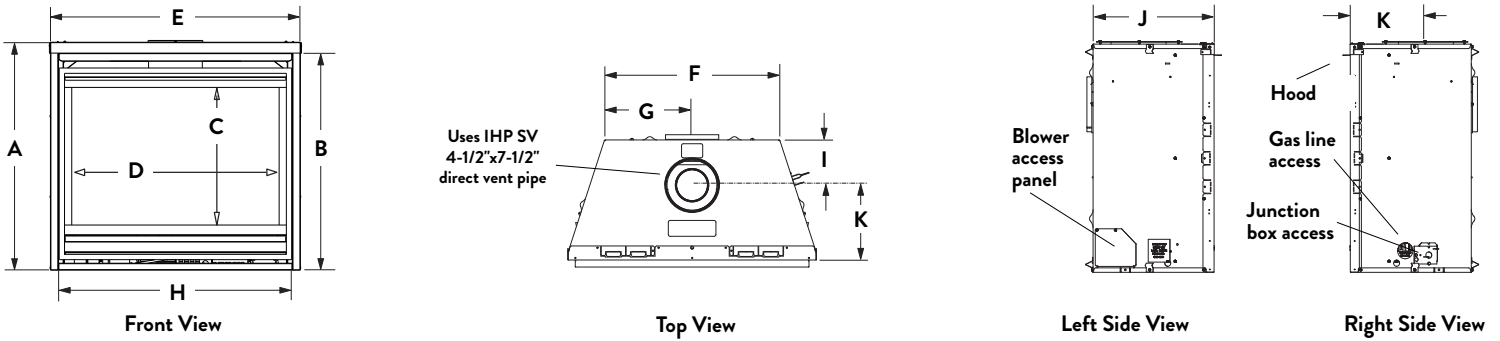


PORCELAIN

CERAMIC FIBER

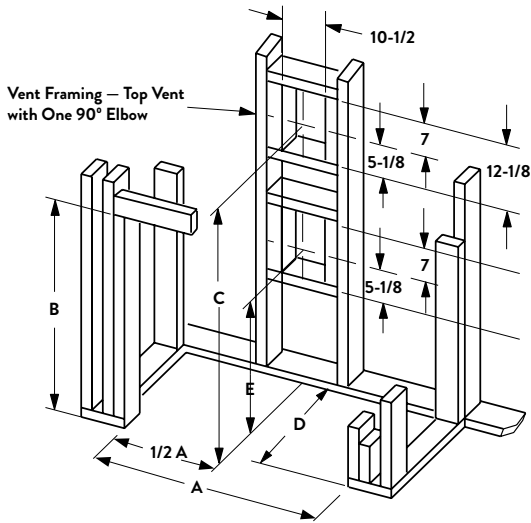
# SPECIFICATIONS

## APPLIANCE DIMENSIONS



MODEL	A	B	C	D	E	F	G	H	I	J	K
35" MODELS	32-1/8"	30-1/2"	19-1/2"	29-1/4"	35-1/4"	25"	12-1/2"	32-7/8"	6-7/8"	17"	10-1/8"
40" MODELS	37-1/8"	35-1/2"	24-1/2"	34-1/4"	40-1/4"	30"	15"	37-7/8"	6-7/8"	17"	10-1/8"
45" MODELS	37-1/8"	35-1/2"	24-1/2"	39-1/4"	45-1/4"	35"	17-1/2"	42-7/8"	6-7/8"	17"	10-1/8"

## FRAMING DIMENSIONS



MODEL	A	B	C	D	E
35" MODELS	35-7/8"	36-1/4" *	38-3/4"	18-1/2"	23-3/8"
40" MODELS	40-7/8"	41-1/4" *	43-3/4"	18-1/2"	28-1/4"
45" MODELS	45-7/8"	41-1/4" *	43-3/4"	18-1/2"	28-1/4"

\* Includes 4" for fold-up standoffs

## FIREPLACE EFFICIENCIES — Listed to ANSI Z21.88 as a gas fireplace heater.

MODEL	FUEL	BTU/HR	P4 / ENERGY*
GEMINI DLX 35	NG	26,000-15,000	67.0%
GEMINI DLX 35	LP	23,000-17,000	66.0%
GEMINI DLX 40	NG	32,000-17,000	63.0%
GEMINI DLX 40	LP	26,000-19,000	62.5%
GEMINI DLX 45	NG	35,000-23,000	62.4%
GEMINI DLX 45	LP	28,000-20,000	57.0%

\*Intermittent ignition systems.

**FRONT COVER** Gemini DLX 40 with Black Tie Herringbone Liner and Craftsman Warm Chestnut Facade

### IMPORTANT NOTES:

As with any fireplace, this appliance is extremely hot during operation. Read and understand all operating instructions before using this appliance. For further information, consult your dealer.

Local conditions, such as elevation, wind, vent configuration and choice of fuel will affect overall appearance of the fire and heating performance. Performance can also vary with home design and insulation, climate, condition and type of fuel used, appliance location, burn rate, accessories chosen, chimney installation and how the appliance is operated.

Diagrams, illustrations and photographs are not to scale—consult installation instructions. Product designs, materials, dimensions, specifications, colors and prices are subject to change or discontinuance without notice.



© 2024 Innovative Hearth Products

785771M 06/24

Visit us online  
Astria.us.com

