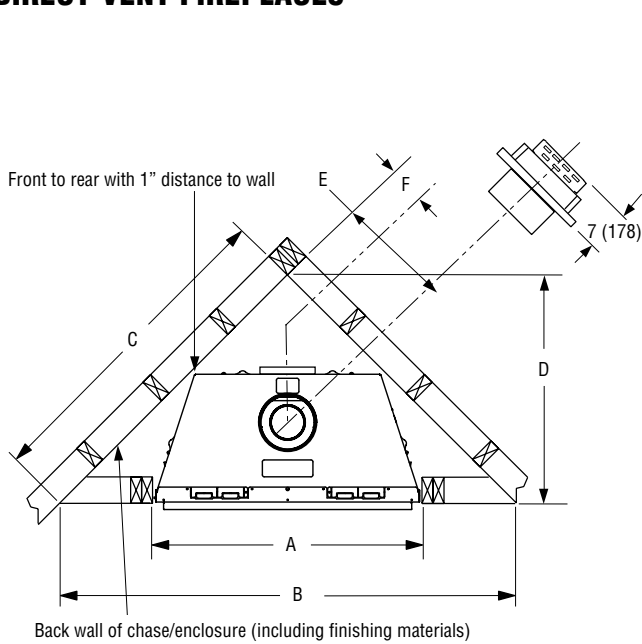


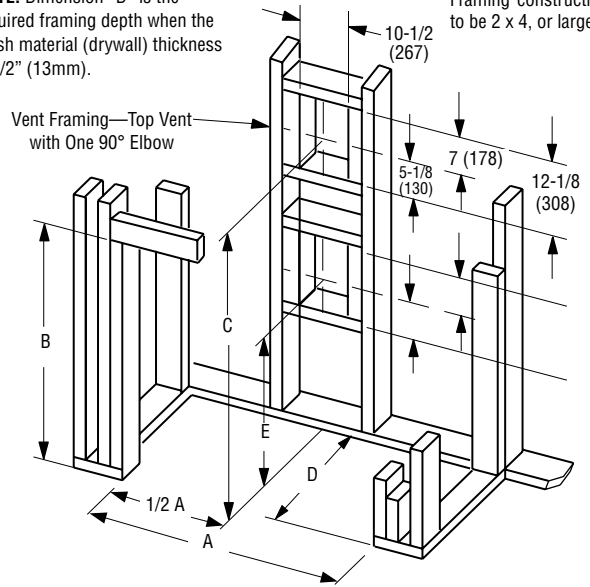
DRT2000-E SERIES

DIRECT-VENT FIREPLACES

Framing Dimensions



NOTE: Dimension "D" is the required framing depth when the finish material (drywall) thickness is 1/2" (13mm). Framing construction to be 2 x 4, or larger.



NOTE: When in top vent mode - No combustible material shall be allowed to contact the rear flue cap/cover.

C = Minimum height of top vent installations
E = Minimum height of rear vent installations

Inches (millimeters)

Model	A	B	C	D	E	F
35" Models	35-7/8 (911)	59-1/2 (1511)	42-1/8 (1070)	30-1/4 (768)	14-1/4 (362)	6-5/8 (168)
40" Models	40-7/8 (1038)	63-7/8 (1622)	45-3/8 (1153)	33-1/4 (845)	15-7/8 (403)	8-1/2 (216)
45" Models	45-7/8 (1165)	70-3/8 (1788)	49-3/4 (1264)	35-1/4 (895)	17-1/2 (445)	10-1/4 (260)

Model	A *	B	C	D	E
35" Models	35-7/8 (911)	36-1/4 (920)	38-3/4 (984)	18-1/2 (470)	23-3/8 (594)
40" Models	40-7/8 (1038)	41-1/4 (1148)	43-3/4 (1111)	18-1/2 (470)	28-1/4 (717)
45" Models	45-7/8 (1165)	41-1/4 (1148)	43-3/4 (1111)	18-1/2 (470)	28-1/4 (717)

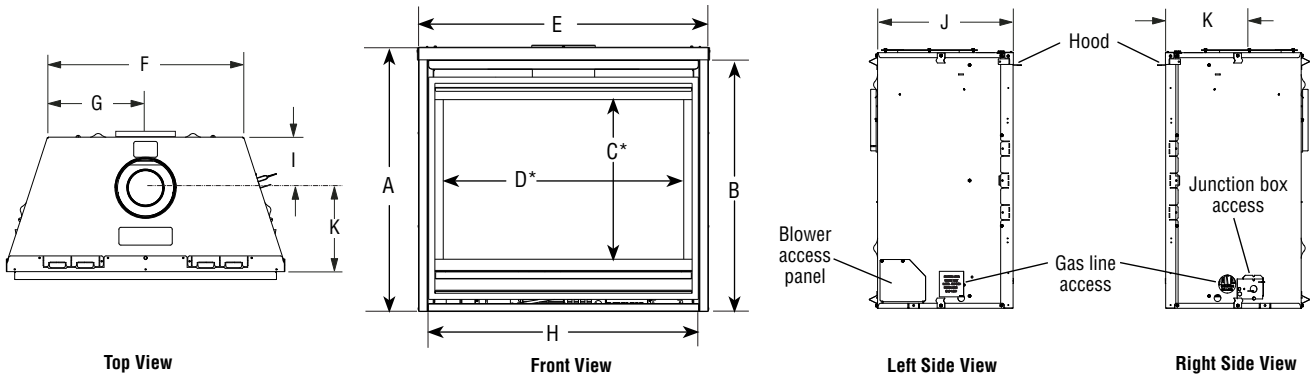
*Minimum opening size; additional 1/8" per side is recommended.

NOTE: Compact termination only approved for use on 35" models. Secure Flex SV4.5 (Flexible) venting using the compact termination is only approved for top vent connection.

NOTE: Framing specifications do NOT apply for flexible venting. When using flexible venting, refer to the instruction manual for framing dimensions.

NOTE: When in top vent mode, No combustible material shall be allowed to contact the rear flue cap/cover.

Fireplace Dimensions



Inches (millimeters)

* C and D are glass viewing area dimensions

Model	A	B	C*	D*	E	F	G	H	I	J	K
35" Models	32-1/8 (816)	26-5/8 (677)	19-1/2 (496)	29-1/4 (743)	35-1/4 (895)	25 (635)	12-1/2 (317)	32-7/8 (835)	6-7/8 (175)	17 (432)	10-1/8 (258)
40" Models	37-1/8 (943)	34-5/8 (880)	24-1/2 (623)	34-1/4 (870)	40-1/4 (1022)	30 (762)	15 (381)	37-7/8 (962)	6-7/8 (175)	17 (432)	10-1/8 (258)
45" Models	37-1/8 (943)	34-5/8 (880)	24-1/2 (623)	39-1/4 (997)	45-1/4 (1149)	35 (889)	17-1/2 (445)	42-7/8 (1089)	6-7/8 (175)	17 (432)	10-1/8 (258)

NOTE: DIAGRAMS & ILLUSTRATIONS ARE NOT TO SCALE.

DRT2000-E SERIES

Product Information

Clearances

Shelf Height

Venting

Cat. No.	Model	Description
F4952	DRT2035DMN-E	35" DV, Dual, MV
F4953	DRT2035DMP-E	35" DV, Dual, MV
F4954	DRT2035DEN-E	35" DV, Dual, Elec
F4955	DRT2035DEP-E	35" DV, Dual, Elec
F4956	DRT2040DMN-E	40" DV, Dual, MV
F4957	DRT2040DMP-E	40" DV, Dual, Elec

Cat. No.	Model	Description
F4958	DRT2040DEN-E	40" DV, Dual, Elec
F4959	DRT2040DEP-E	40" DV, Dual, Elec
F4960	DRT2045DMN-E	45" DV, Dual, MV
F4961	DRT2045DMP-E	45" DV, Dual, MV
F4962	DRT2045DEN-E	45" DV, Dual, Elec
F4963	DRT2045DEP-E	45" DV, Dual, Elec

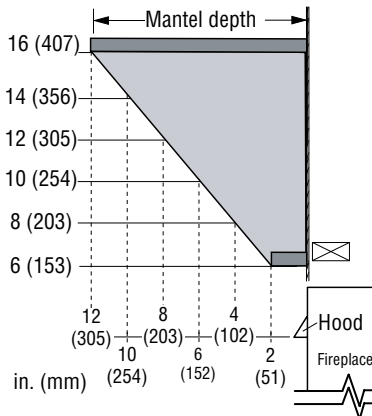
Listing Information



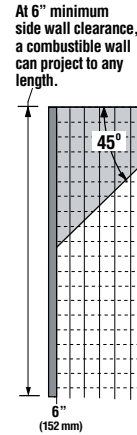
Report No. F13-094

Listed by PFS Corporation to - ANSI Z21.88 (in Canada, CSA-2.33), and CSA 2.17-17 (R2022) in both USA and Canada, as a vented gas fireplace heater.

Mantel Clearance



Side Wall Clearance



Top View of Fireplace

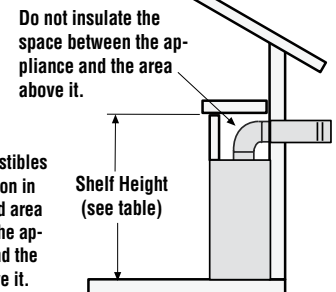
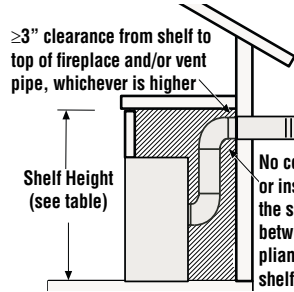
Combustible Materials Allowed In Shaded Area "Safe Zone"

Combustible Walls shown in dark gray

Combustible mantel legs may project beyond either side of the fireplace opening as long as they are kept within the shaded area illustrated here.

Model	Top Vent with one 90° Elbow		Alternative Rear Vent applications
	Secure Vent® (using rigid elbow)	Secure Flex® (using flex elbow)	Secure Vent®
35"	52" (1321 mm)*	52" (1321 mm)*	52" (1321 mm)***
40"	57" (1448 mm)*	57" (1448 mm)*	57" (1448 mm)***
45"	57" (1448 mm)*	57" (1448 mm)*	57" (1448 mm)***

- * Includes 3" clearance to combustibles (required above vent components)
- ** In alternative, Rear Vent applications, Top Vent will be sealed as detailed in the Installation and Operation manual.
- *** When in top vent mode; no combustible material shall be allowed to contact the rear flue cap/cover.

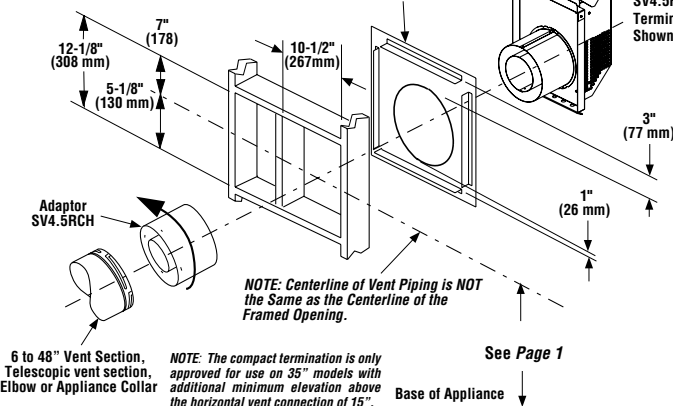


Specifications and clearances are subject to change without notice. Refer to Installation and Operation Manual before installation of these appliances for updated dimensions and instructions.

Horizontal Termination

NOTE: Use the vent restrictor with the bend up when rear venting with only a slip collar and a termination.

To help minimize water infiltration it is recommended that the Firestop/Spacer (SV4.5HF) be installed on the exterior side of the wall.

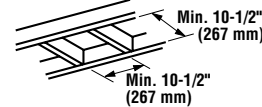


Vertical Termination

Vertical Termination Cap SV4.5CGV-1 (rated for high winds and freezing conditions)

* Ceiling Firestop/Spacer (SV4.5VF)

Roof Framing



Uses 4.5" / 7.5" Secure Vent® Rigid and Secure Flex® Direct-Vent Components

Typical Installations

