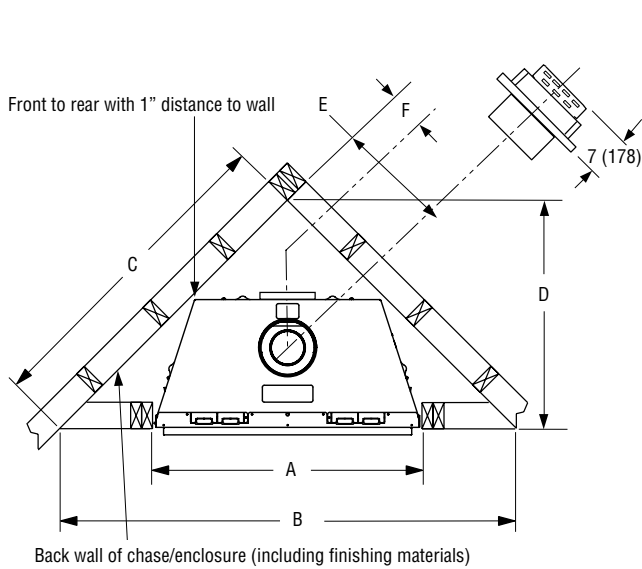


DRT3500-E SERIES

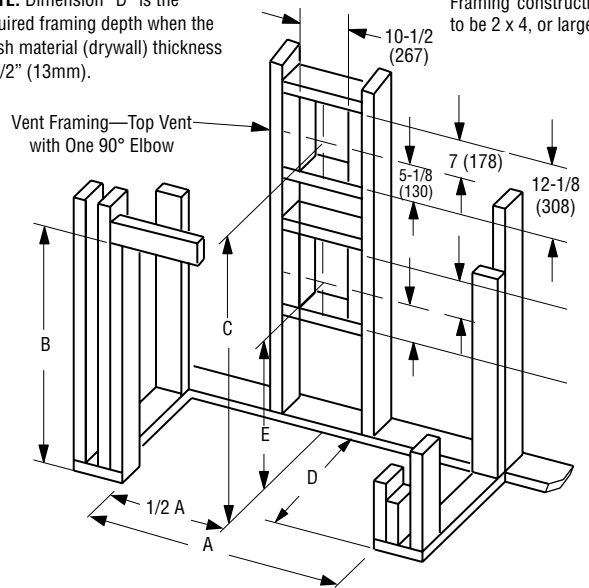
DIRECT-VENT FIREPLACES

Framing Dimensions



NOTE: Dimension "D" is the required framing depth when the finish material (drywall) thickness is 1/2" (13mm).

Framing construction to be 2 x 4, or larger.



NOTE: When in top vent mode - No combustible material shall be allowed to contact the rear flue cap/cover.

C = Minimum height of top vent installations
E = Minimum height of rear vent installations

Inches (millimeters)

Model	A	B	C	D	E	F
35" Models	35-7/8 (911)	59-1/2 (1511)	42-1/8 (1070)	30-1/4 (768)	14-1/4 (362)	6-5/8 (168)
40" Models	40-7/8 (1038)	63-7/8 (1622)	45-3/8 (1153)	33-1/4 (845)	15-7/8 (403)	8-1/2 (216)
45" Models	45-7/8 (1165)	70-3/8 (1788)	49-3/4 (1264)	35-1/4 (895)	17-1/2 (445)	10-1/4 (260)

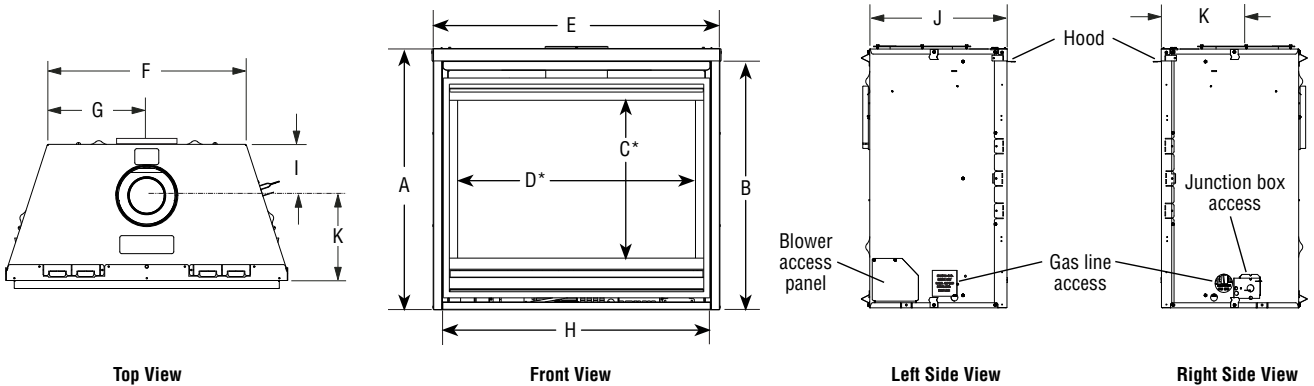
Model	A *	B	C	D	E
35" Models	35-7/8 (911)	36-1/4 (920)	38-3/4 (984)	18-1/2 (470)	23-3/8 (594)
40" Models	40-7/8 (1038)	41-1/4 (1148)	43-3/4 (1111)	18-1/2 (470)	28-1/4 (717)
45" Models	45-7/8 (1165)	41-1/4 (1148)	43-3/4 (1111)	18-1/2 (470)	28-1/4 (717)

*Minimum opening size; additional 1/8" per side is recommended.

NOTE: Framing specifications do NOT apply for flexible venting. When using flexible venting, refer to the instruction manual for framing dimensions.

Fireplace Dimensions

NOTE: When in top vent mode, No combustible material shall be allowed to contact the rear flue cap/cover.



Inches (millimeters)

* C and D are glass viewing area dimensions

Model	A	B	C*	D*	E	F	G	H	I	J	K
35" Models	32-1/8 (816)	26-5/8 (677)	19-1/2 (496)	29-1/4 (743)	35-1/4 (895)	25 (635)	12-1/2 (317)	32-7/8 (835)	6-7/8 (175)	17 (432)	10-1/8 (258)
40" Models	37-1/8 (943)	34-5/8 (880)	24-1/2 (623)	34-1/4 (870)	40-1/4 (1022)	30 (762)	15 (381)	37-7/8 (962)	6-7/8 (175)	17 (432)	10-1/8 (258)
45" Models	37-1/8 (943)	34-5/8 (880)	24-1/2 (623)	39-1/4 (997)	45-1/4 (1149)	35 (889)	17-1/2 (445)	42-7/8 (1089)	6-7/8 (175)	17 (432)	10-1/8 (258)

NOTE: DIAGRAMS & ILLUSTRATIONS ARE NOT TO SCALE.

DRT3500-E SERIES

Product Information

Cat. No.	Model	Weight	Cu. Ft.
F5005	DRT3535DEN-E	134 lb.	12.6
F5006	DRT3535DEP-E	134 lb.	12.6
F5007	DRT3540DEN-E	150 lb.	16.8

Cat. No.	Model	Weight	Cu. Ft.
F5008	DRT3540DEP-E	150 lb.	16.8
F5009	DRT3545DEN-E	182 lb.	18.8
F5010	DRT3545DEP-E	182 lb.	18.8

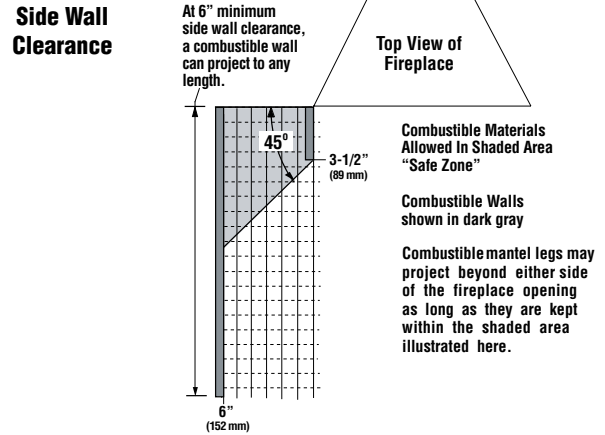
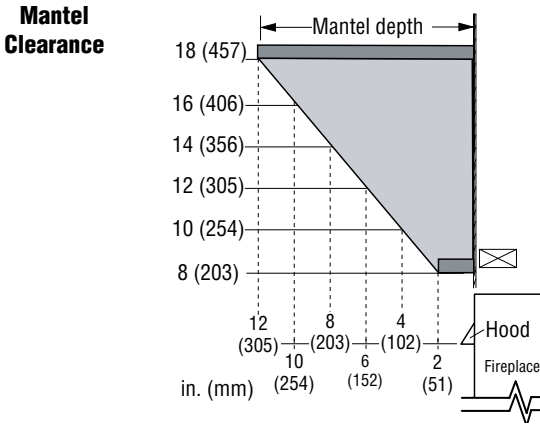
Listing Information



Report No. F13-094

Listed by PFS Corporation to - ANSI Z21.88 (in Canada, CSA-2.33), and CSA 2.17:17 (R2022) in both USA and Canada, as a vented gas fireplace heater.

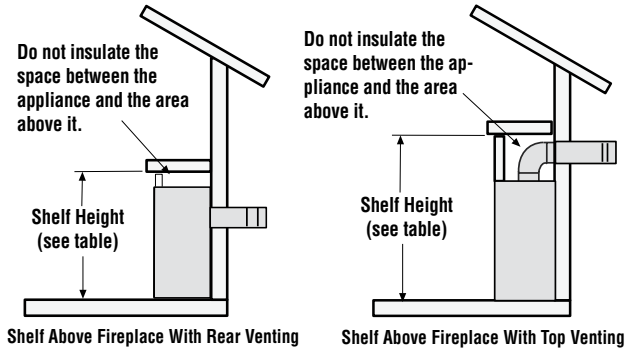
Clearances



Shelf Height

Model	Top Vent with one 90° Elbow		Alternative Rear Vent applications
	Secure Vent® (using rigid elbow)	Secure Flex® (using flex elbow)	Secure Vent®
35" Models	47" (1194 mm)*	49" (1245 mm)*	41" (1042 mm)**
40" Models	52" (1321 mm)*	54" (1372 mm)*	46" (1169 mm)**
45" Models	52" (1321 mm)*	54" (1372 mm)*	46" (1169 mm)**

- * Includes 3" clearance to combustibles (required above vent components)
- ** In alternative, Rear Vent applications, Top Vent will be sealed as detailed in the Installation and Operation manual.
- *** When in top vent mode; no combustible material shall be allowed to contact the rear flue cap/cover.



Specifications and clearances are subject to change without notice. Refer to Installation and Operation Manual before installation of these appliances for updated dimensions and instructions.

Venting

