

DRT4000-E & DRT4200-E SERIES

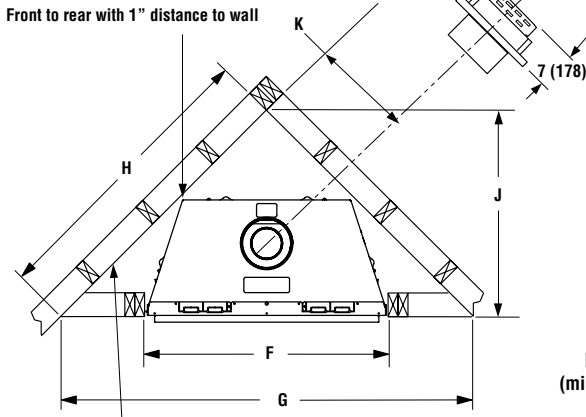
DIRECT-VENT FIREPLACES

Appliance Specifications

Framing Dimensions - Inches (millimeters)				
Model	A *	B	C	D**
DRT4240-E	40-7/8 (1039)	41-1/4 (1048)	43-3/4 (1111)	23 (585)
DRT4245-E	45-7/8 (1166)	41-1/4 (1048)	55-3/4 (1417)	23 (585)
DRT4040-E	40-7/8 (1039)	41-1/4 (1048)	43-3/4 (1111)	23 (585)
DRT4045-E	45-7/8 (1166)	41-1/4 (1048)	43-3/4 (1111)	23 (585)

Model	F	G	H	J	K
DRT4240-E	40-7/8 (1039)	78-1/4 (1988)	55-1/2 (1410)	40-1/2 (1029)	15-7/8 (404)
DRT4245-E	45-7/8 (1166)	85-7/8 (2182)	61 (1550)	40-1/2 (1029)	17-1/2 (445)
DRT4040-E	40-7/8 (1039)	78-1/4 (1988)	45-3/8 (1153)	40-1/2 (1029)	15-7/8 (404)
DRT4045-E	45-7/8 (1166)	85-7/8 (2182)	61 (1550)	40-1/2 (1029)	17-1/2 (445)

Framing Dimensions

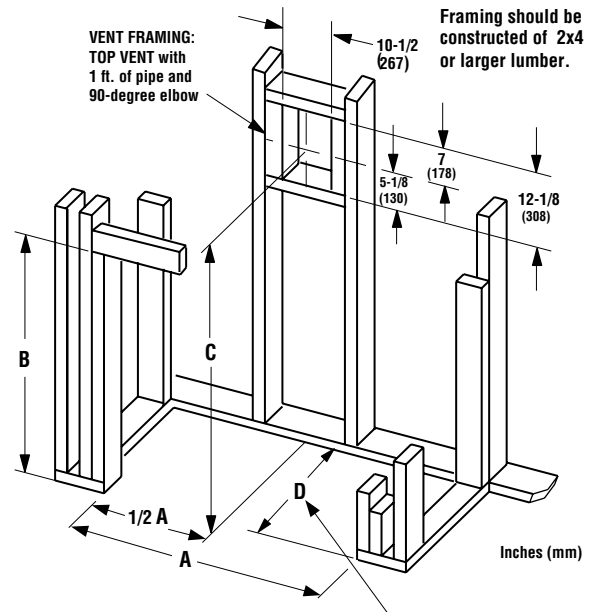


Back wall of chase/enclosure (including finishing materials)

C = Minimum height of top vent installations

* Minimum opening size; additional 1/8" per side is recommended.

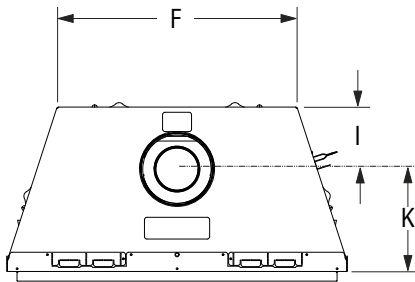
Inches (millimeters)



Dimension "D" is required framing depth when finish material (drywall) thickness is 1/2 (13).

NOTE: Framing specifications do NOT apply for flexible venting. When using flexible venting, refer to the instruction manual for framing dimensions.

Fireplace Dimensions



Top View

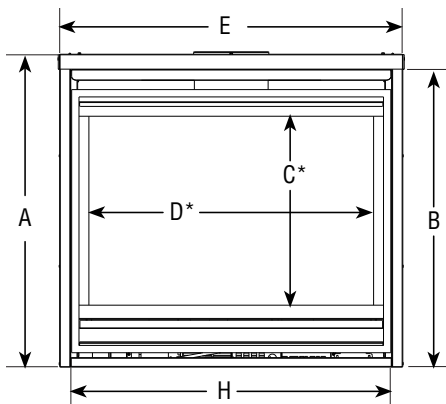
Model	A	B	C*	D*	F
40" Models	37-1/8 (943)	35-1/2 (902)	24-1/2 (623)	34-1/4 (870)	30 (762)
45" Models	37-1/8 (943)	35-1/2 (902)	24-1/2 (623)	39-1/4 (997)	35 (889)

Model	H	I	J	K
40" Models	37-7/8 (962)	6-7/8 (175)	21 (534)	12-3/8 (315)
45" Models	42-7/8 (1089)	6-7/8 (175)	21 (534)	12-3/8 (315)

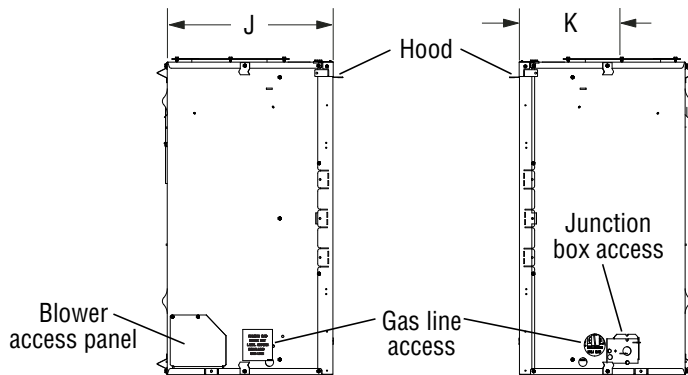
* C and D are glass viewing area dimensions

Inches (millimeters)

Diagrams, illustrations and photographs are not to scale. Consult installation instructions. Product designs, materials, dimensions, specifications, colors, and prices are subject to change or discontinuance without notice.



Front View



Left Side View

Right Side View

DRT4000-E & DRT4200-E SERIES

Shelf Height Product Reference Info

Product Reference Information			
Cat. No.	Model	Ship. Wt.	Ship. Volume
F5011	DRT4040TEN-E	210 lb.	43 cu. ft.
F5012	DRT4040TEP-E		
F5013	DRT4045TEN-E	223 lb.	43 cu. ft.
F5014	DRT4045TEP-E		

Product Reference Information			
Cat. No.	Model	Ship. Wt.	Ship. Volume
F5015	DRT4240TEN-E	210 lb.	43 cu. ft.
F5016	DRT4240TEP-E		
F5017	DRT4245TEN-E	223 lb.	43 cu. ft.
F5018	DRT4245TEP-E		

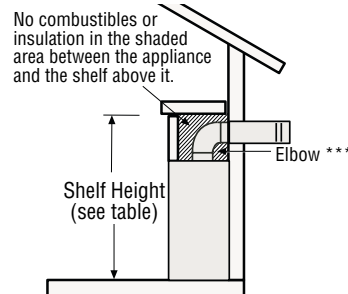
Listing Info



Tested to ANSI Z21.50 (in Canada, CSA-2.22) & CSA 2.17:17 (R2022) in both USA and Canada, as vented gas fireplace heaters.

Shelf Height Minimum Clearances

Model	Top Vent with 90° Elbow ***	
	Secure Vent® (using rigid elbow)	Secure Flex® (using flex elbow)
DRT4040-E	52" (1321 mm) *	54" (1372 mm) *
DRT4045-E	52" (1321 mm) *	54" (1372 mm) *
DRT4240-E	68" (1727 mm) *	70" (1778 mm) *
DRT4245-E	68" (1727 mm) *	70" (1778 mm) *



* Includes 3" clearance to combustibles (required above vent components)

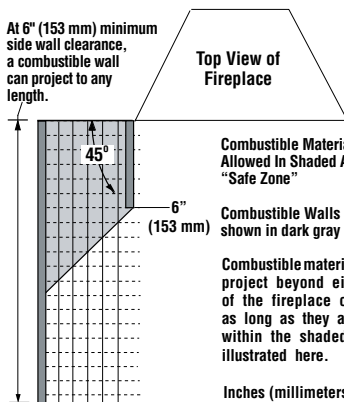
*** 40" models may connect an elbow directly to the top flue collar. 45" models must use, at a minimum, a 1 foot vertical section before connecting an elbow.

Clearances

Minimum Clearances ❶ Inches (millimeters)	
Back	1-1/2" (38mm) to wrapper 0" (0 mm) to Spacers
Sides	1/2" (13 mm) to wrapper 0" (0 mm) to Spacers ❷
Top Standoffs	0" (0 mm) to top standoffs
Floor	0" (0 mm)
From Bottom of Unit To Ceiling	64" (1626 mm)
Vent	3 (77) Top ❶ 1 (26) Sides & Bottom
SERVICE CLEARANCES Feet (meters)	
Front	3 feet (0.9 meters)

❶ NOTE: 3" (77 mm) above any horizontal/inclined vent component.

❷ NOTE: See Installation Instructions Manual (Step 1) for clearance requirements to the nailing flange located at each side of the unit and any screw heads adjacent to it.

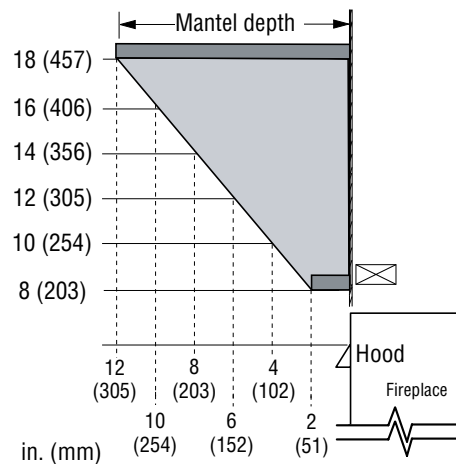


Combustible Materials Allowed in Shaded Area "Safe Zone"

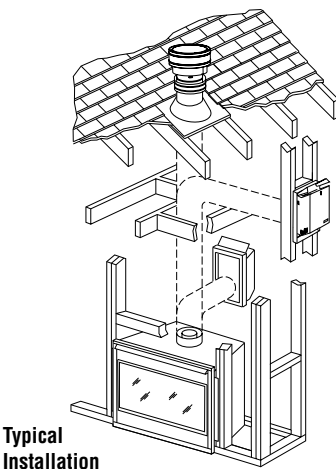
Combustible Walls shown in dark gray

Combustible materials may project beyond either side of the fireplace opening as long as they are kept within the shaded area illustrated here.

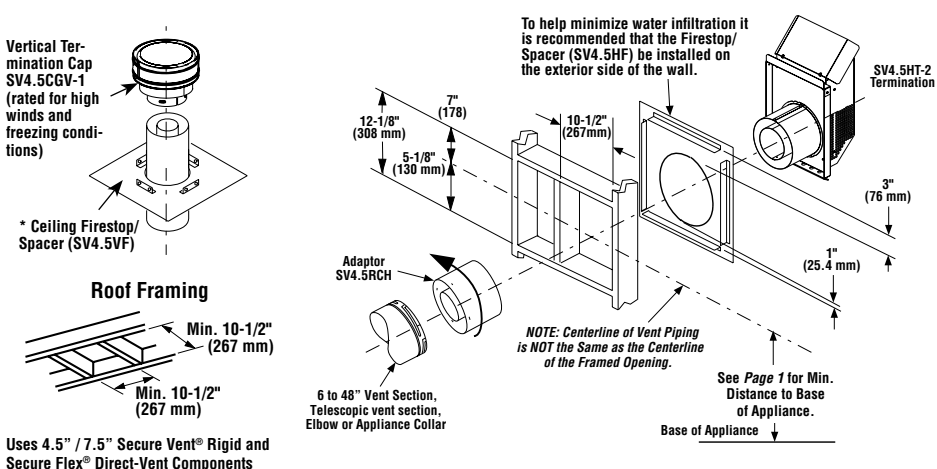
Inches (millimeters)



Venting Requirements



Typical Installation



Uses 4.5" / 7.5" Secure Vent® Rigid and Secure Flex® Direct-Vent Components

