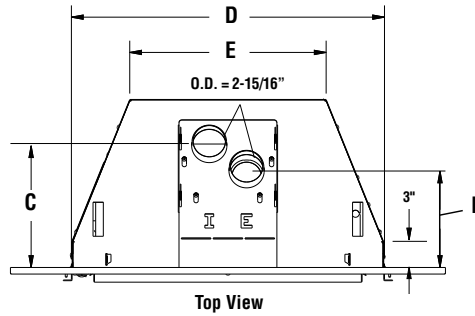


# Mallard Point™ 32-B Gas Insert

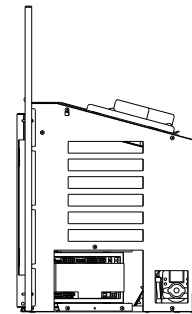
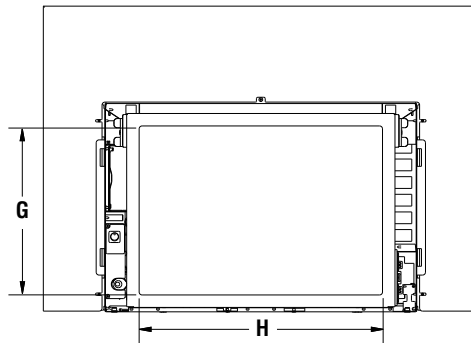
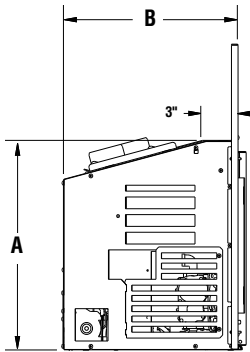
## Appliance Specifications

## DIRECT-VENT FIREPLACE INSERT



Input (BTU) - Electronic Models	
Fuel	MPI32-B
	Input Rate (BTU / HR)
Natural Gas	Hi 34,000
	Lo 23,000
Propane (LP) Gas	Hi 34,000
	Lo 28,000

Insert Dimensions



Left Side View

Front View

Right Side View

A	B	C	D	E	F	G	H
19-3/8"	15-7/8"	11-7/8"	31-5/8"	21"	9-3/4"	15-3/8"	25-3/4"

### MINIMUM FIREPLACE SIZES REQUIRED

Front Opening Width *	32"
Height	19-1/2"
Rear Width	22"
Depth	16"

### MINIMUM CLEARANCES TO COMBUSTIBLES

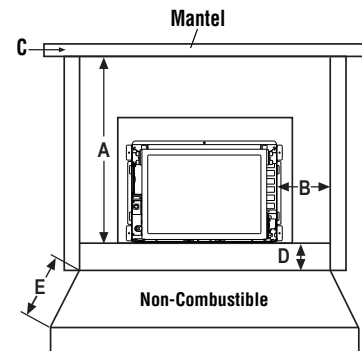
A = Mantel	32"
B = Side Wall	4"
C = Mantel Depth	10"

### HEARTH PROTECTION

D = Vertical Distance from base of appliance to Hearth Extension	0"   4"
E = Minimum Horizontal Distance from Front of Appliance	10"   0"

\* The front opening width of the fireplace must be maintained to a 3" depth into the fireplace firebox.

### MINIMUM CLEARANCES



Note: Hearth protection to be min. 1/2" thick non-combustible or equivalent, with a k factor of .84.

Insert Clearances



Report #14-098

This insert has been tested and certified to ANSI Z21.88 / CSA 2.33 Standard for Vented Gas Fireplace Heater and CSA 2.17-2017 (R2022) and UL 307B Gas Burning Heating Appliances for Manufactured (Mobile) Homes.

### Efficiencies

	Natural Gas	Propane Gas
AFUE	71%	74%
EnerGuide P4	65%	70%

\*\* Efficiency varies slightly with various pipe configurations.

**NOTE: Diagrams, illustrations and photographs are not to scale – consult installation instructions. Product designs, materials, dimensions, specifications, colors and prices are subject to change or discontinuance without notice.**

Listing Information

# Mallard Point™ 32-B Gas Insert

Product Reference Information			
Cat. No.	Description	Ship. Weight	Ship. Volume
F5164	Mallard Point 32 Medium Gas Insert, Traditional	112 lb.	18.17 cu. ft.

Vent Kits

## Simpson Dura Vent -

Flex Liner 3" X 35' - #3DFA-35

Adaptor w/ Flashing - #46DVA-GK

Termination Cap - #46DVA-VCH With #460 DVA-VWG

Termination Cap - #460DVA-VC

Co-Linear Kit w/ 3" X 35' Flex Liner (Intake and Exhaust), Adaptor, Flashing and Termination Cap - #46DVA-CL33

## Selkirk -

Termination Cap - #4DT-VT

Vent Adaptor - #4DT-CTB

Venting - 3' x 35' #AF35-03

Venting - 3' x 25' #AF25-03

Venting - 3' x 15' #AF15-03

Typical Installation

The existing fireplace chimneys may take various contours which the flexible liners will accommodate. However, keep the flexible liner STRAIGHT and avoid bending. When at maximum vertical height, standing pilot should be used for correct operation.

### Liner Requirements:

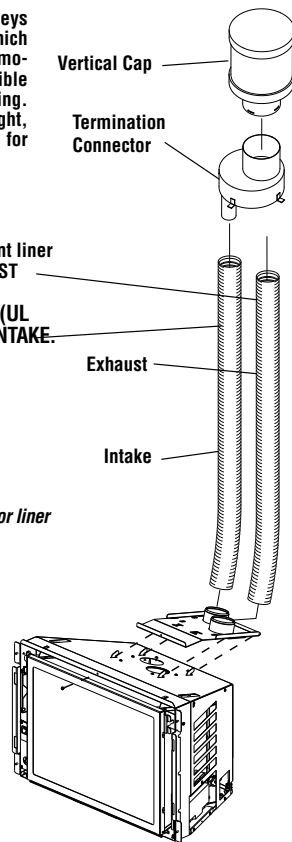
Use 3" diameter listed gas vent liner (UL1777 ONLY) for the EXHAUST

Use 3" diameter listed liner (UL 181 or UL1777) for the AIR INTAKE.

Vertical Height Min. = 10 ft.  
Vertical height Max. = 35 ft.

**NOTE: Measured from base on unit to the end of the vent pipe or liner**

The flexible vent pipe must NOT be allowed to sag behind insert or in fireplace flue.



Options

## Firebox Liner Kits - One Required

Heritage Brown  
Black Tie  
Black Porcelain  
Black Painted

## Facade Kits

Full View  
Vista

## Surround Kits - One Required

### 3 Sided:

41" W x 26" H

46" W x 26" H

41" W x 33" H

46" W x 33" H

### 4 Sided - Trimmable:

46" W x 38" H

Standard Features

- Standard full-featured remote.
- Electronic ignition with optional continuous pilot mode.
- Battery back-up in case of power outage
- Standard 150-CFM variable-speed blower delivers warm, consistent heat