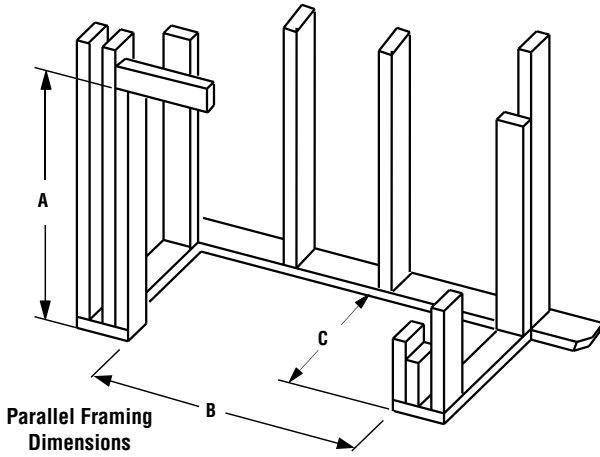


FEDERAL36 SERIES

INDOOR WOOD-BURNING FIREPLACES

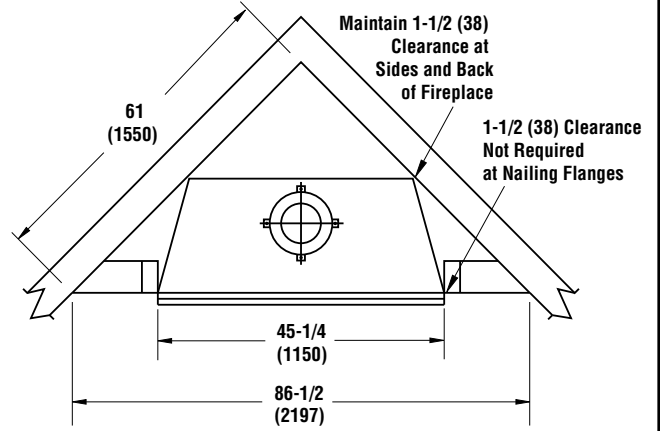
Framing Dimensions



Parallel Framing Dimensions

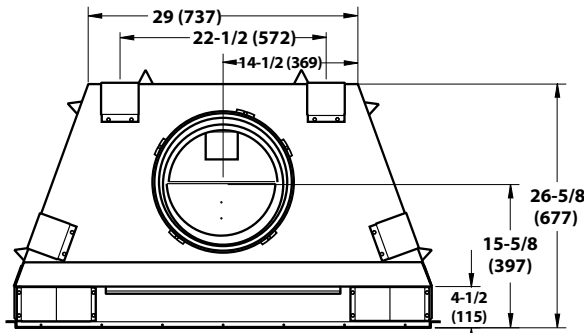
	A	B	C
36" Models	67-1/8 (1705)	45-5/8 (1159)	28-1/4 (718)

Inches (millimeters)

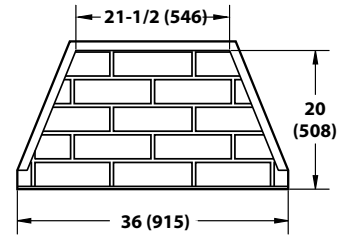


Corner Framing Dimensions

Inches (millimeters)

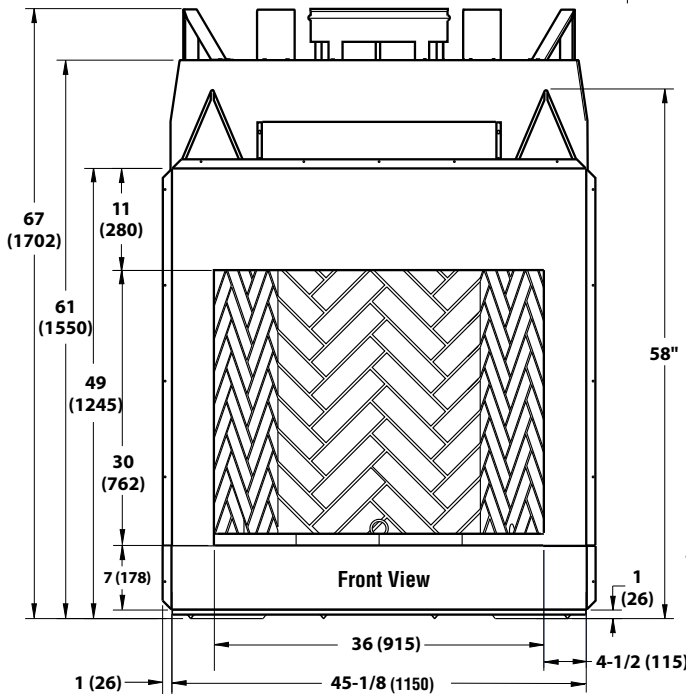


Top View

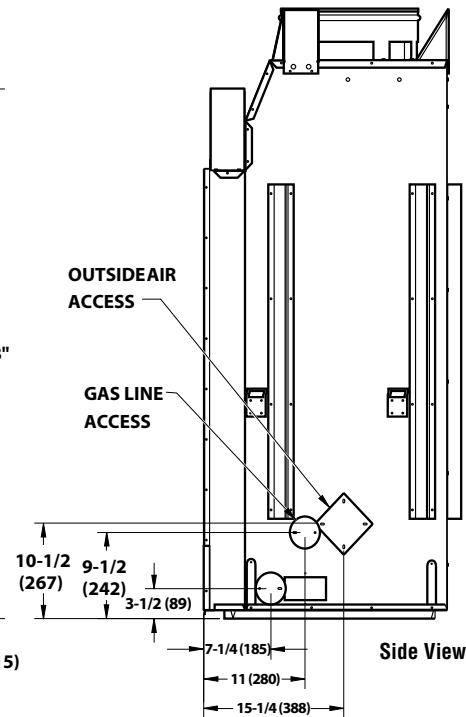


36" HEARTH

Fireplace Dimensions



Front View



Side View

FEDERAL36 SERIES

Product Information

Product Reference Information			
Cat. No.	Model	Shipping Weight	Shipping Volume
F5172	FEDERAL36WS	508 lb.	99.3 cu. ft.
F5173	FEDERAL36WH	508 lb.	99.3 cu. ft.

Listing Information

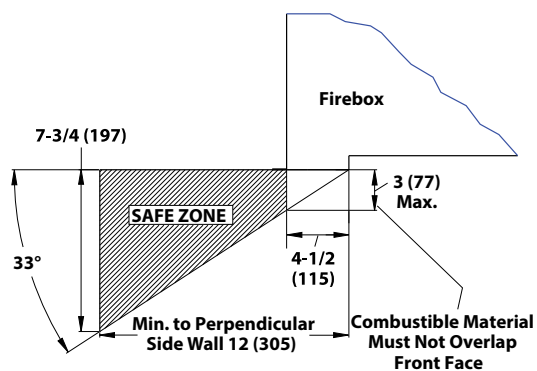


This fireplace has been tested and approved by PFS Corporation under UL127/ULC-S610 standard as a Factory Built Appliance and may be used with gas logs approved to ANSI Z21.60, Z21.84 or Z21.11.2 standards.

Clearances

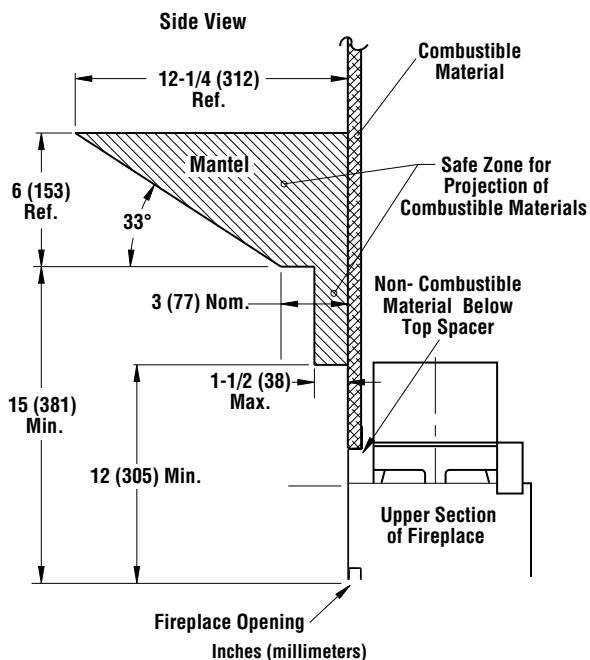
Clearances to Combustibles	
Description	Min. Clearance
Back and sides of fireplace	1-1/2 (38)*
Ceiling	42 (1067)
Front of fireplace	48 (1220)
Floor	0 (0)**
Perpendicular wall to opening	12 (305)
Top spacers	0 (0)
Chimney outer pipe surface	2 (51)

* Not required at nailing flanges
 ** See step 2 of Framing in the Installation and Operation Manual



NOTE: REFER TO PRODUCT INSTRUCTION MANUAL FOR INSTALLATION REQUIREMENTS, SPECIFICATIONS AND CLEARANCES.

Mantel Clearances



Venting

Venting
 Uses Standard (12DM) and Hi-Temp (12HT) Wood-Burning Chimney. For Canada Use 12HT Chimney

