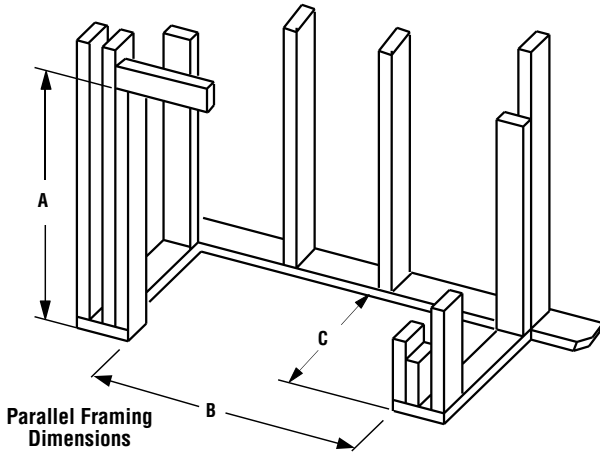


# FEDERAL42 SERIES

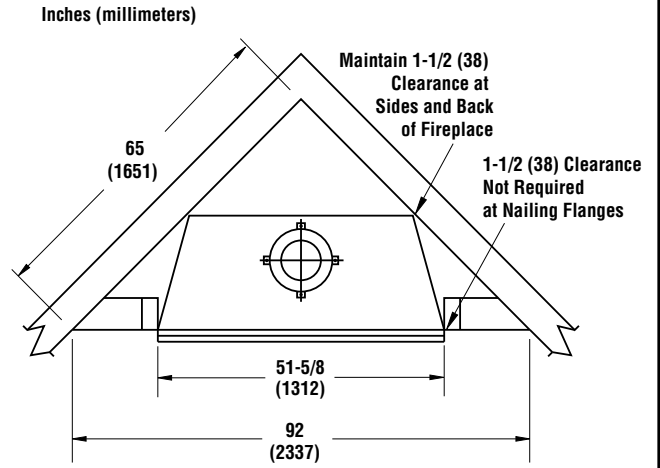
## INDOOR WOOD-BURNING FIREPLACES

Framing Dimensions



Parallel Framing Dimensions

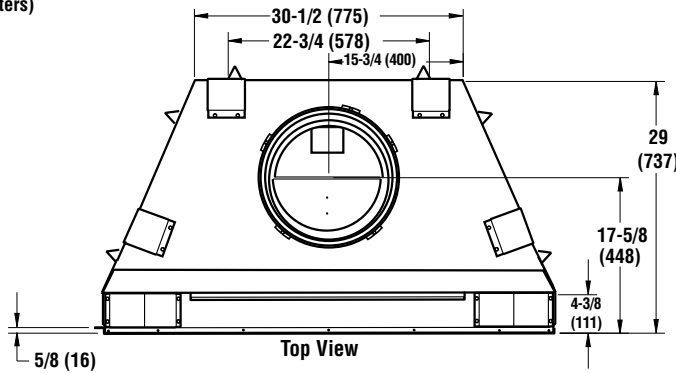
	A	B	C
42" Models	67-1/8 (1705)	51-5/8 (1312)	30-1/8 (766)



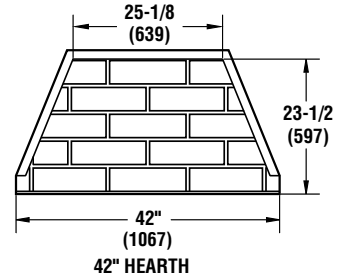
Corner Framing Dimensions

Fireplace Dimensions

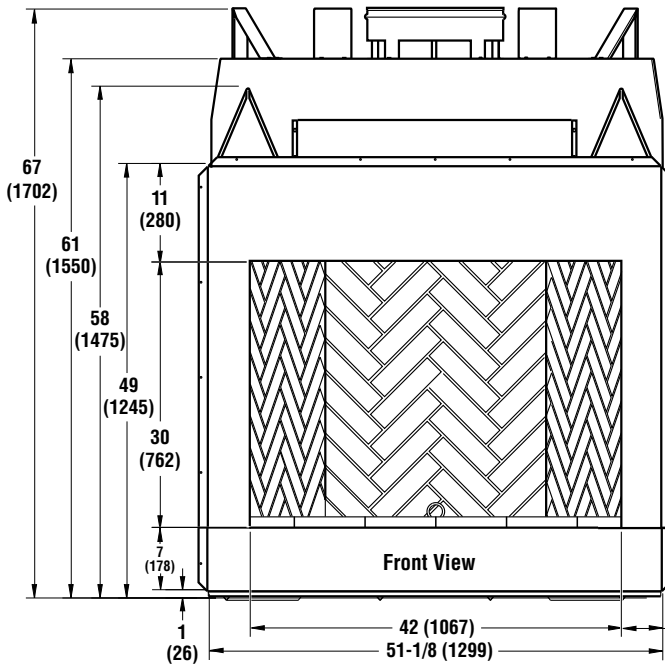
Inches (millimeters)



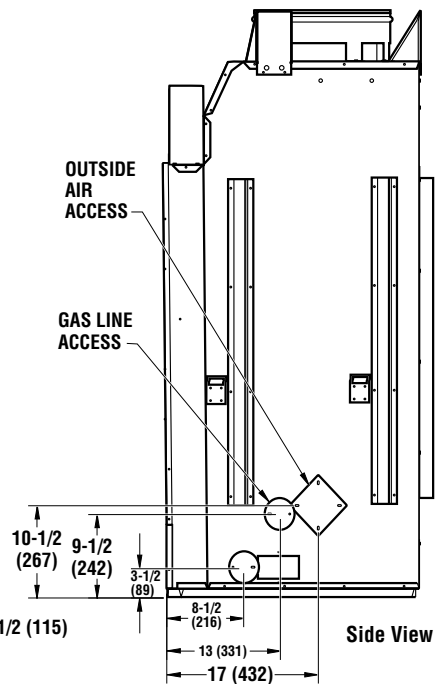
Top View



42" HEARTH



Front View



Side View

# FEDERAL42 SERIES

Product Information

Product Reference Information			
Cat. No.	Models	Shipping Weight	Shipping Volume
F5174	FEDERAL42WS	572 lb.	99.3 cu. ft.
F5175	FEDERAL42WH	572 lb.	99.3 cu. ft.

Listing Information



Report No. F09-095

This fireplace has been tested and approved by PFS Corporation under UL127/ULC-S610 standard as a Factory Built Appliance and may be used with gas logs approved to ANSI Z21.60, Z21.84 or Z21.11.2 standards.

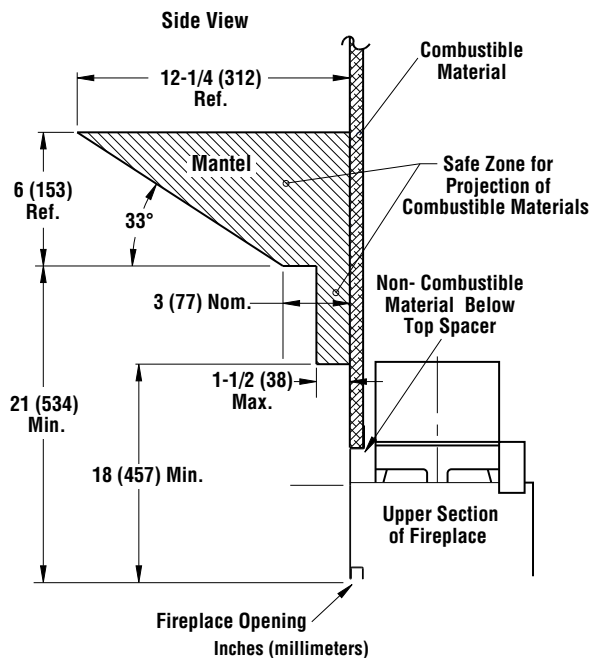
Clearances to Combustibles	
Description	Min. Clearance
Back and sides of fireplace	1-1/2 (38)*
Ceiling	42 (1067)
Front of fireplace	48 (1220)
Floor	0 (0)**
Perpendicular wall to opening	18 (457)
Top spacers	0 (0)
Chimney outer pipe surface	2 (51)

**NOTE: REFER TO PRODUCT INSTRUCTION MANUAL FOR INSTALLATION REQUIREMENTS, SPECIFICATIONS, AND CLEARANCES.**

\* Not required at nailing flanges

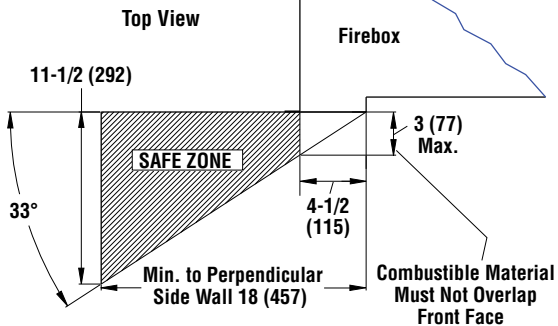
\*\* See step 2 of Framing in the Installation and Operation Manual

## Mantel Clearances



Clearances

## Side Wall Clearances



Venting

**Venting**  
Uses Standard (12DM) and Hi-Temp (12HT) Wood-Burning Chimney. For Canada Use 12HT Chimney

