



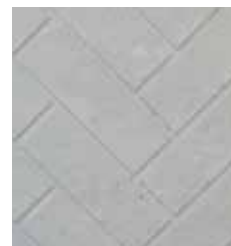
**STANDARD FEATURES**

- ◆ Available in 36", 42" and 50" models
- ◆ Massive smoke dome for reliable operation
- ◆ Fully insulated firebox for increased performance in colder climates
- ◆ Refractory panels in two patterns with integrated ash lip
- ◆ Heavy duty cast iron log grate with rugged forged andirons
- ◆ Easy access damper control
- ◆ Includes mesh fire screens
- ◆ Optional glass doors available in black trim for improved safety
- ◆ Optional gas log sets deliver the charm of a wood fire with the convenience of gas
- ◆ Dual (left hand/right hand) outside air kits available for maximum performance
- ◆ Durable textured powder coat finish
- ◆ Uses IHP 12DM or 12HT (required for Canada) chimney system
- ◆ 20 year limited warranty

**INTERIOR (Required)**



*Stacked*



*Herringbone*

**GLASS DOORS**



*Bifold Glass Doors  
in Black Trim Finish*

**GAS LOG SETS**



*Shady Hollow*



*Southern Comfort*

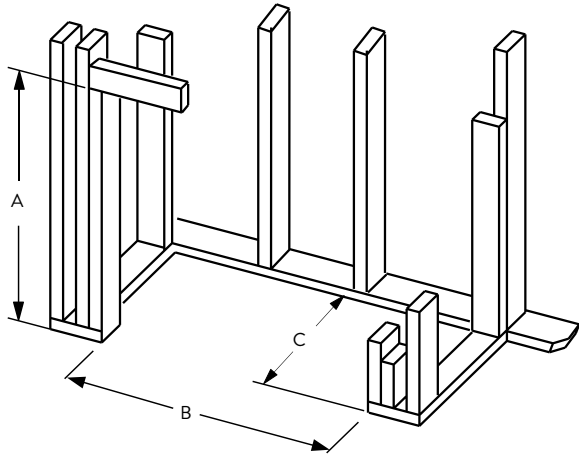


*Peakside Timber*



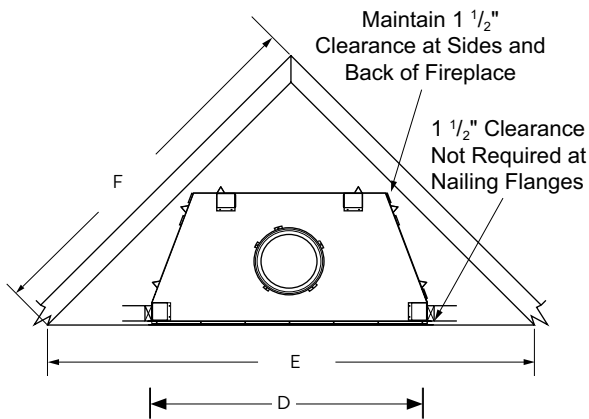
*Ironwood Ridge*

## FLAT WALL FRAMING SPECIFICATIONS



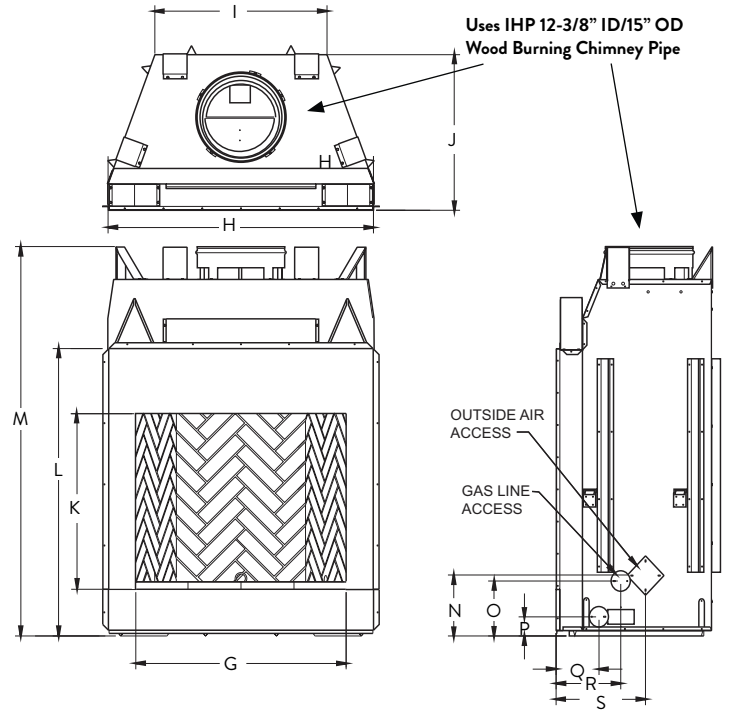
	FEDERAL 36	FEDERAL 42	FEDERAL 50
A	67-1/8"	67-1/8"	67-1/8"
B	45-1/4"	51-1/4"	59-1/4"
C	28-1/4"	30-1/8"	30-1/8"

## CORNER FRAMING SPECIFICATIONS



	FEDERAL 36	FEDERAL 42	FEDERAL 50
D	45-1/4"	51-1/4"	59-1/4"
E	86-1/2"	92"	100"
F	61"	65"	71"

## APPLIANCE SPECIFICATIONS



	FEDERAL 36	FEDERAL 42	FEDERAL 50
G	36"	42"	50"
H	45-1/8"	51-1/8"	59"
I	29"	30-1/2"	38-1/2"
J	26-5/8"	29"	28-1/2"
K	30"	30"	30"
L	49"	49"	49"
M	67"	67"	67"
N	10-1/2"	10-1/2"	10-1/2"
O	9-1/2"	9-1/2"	9-1/2"
P	3-1/2"	3-1/2"	3-1/2"
Q	7-1/4"	8-1/2"	8-1/2"
R	11"	13"	13"
S	15-1/4"	17"	17"

### IMPORTANT NOTES:

As with any fireplace, this appliance is extremely hot during operation. Read and understand all operating instructions before using this appliance. For further information, consult your dealer.

Local conditions, such as elevation, wind, vent configuration and choice of fuel will affect overall appearance of the fire and heating performance. Performance can also vary with home design and insulation, climate, condition and type of fuel used, appliance location, burn rate, accessories chosen, chimney installation and how the appliance is operated.

DIAGRAMS, ILLUSTRATIONS AND PHOTOGRAPHS ARE NOT TO SCALE—CONSULT INSTALLATION INSTRUCTIONS. PRODUCT DESIGNS, MATERIALS, DIMENSIONS, SPECIFICATIONS, COLORS AND PRICES ARE SUBJECT TO CHANGE OR DISCONTINUANCE WITHOUT NOTICE.

astria  
FIREPLACES®

© 2026 Innovative Hearth Products  
785927M 02/26

Visit us online  
Astria.us.com

PFS®  
C US  
Report #F09-095

